

ITEM NO.	PART NUMBER	QTY REQD.	NOMENCLATURE OR DESCRIPTION
1	10019	2	5/16" X 2" HEX BOLT
2	10031	8	3/8" X 1" HEX BOLT
3	10073	25	1/2" X 2" HEX BOLT
4	10097	4	5/8" X 4-1/2" HEX BOLT
5	10116	2	3/4" X 4-1/2" HEX BOLT
6	10166	4	5/8" LOCKNUT
7	10167	2	3/4" HEX NUT
8	10168	2	3/4" LOCKNUT
9	10176	25	1/2" LOCKNUT
10	10182	8	3/8" LOCKWASHER
11	11727	1	SERIAL # PLATE
12	10339	2	RIVETS FOR SERIAL # PLATE
13	10469	2	7/8" CAT 1 HITCH PIN W/CLIP
14	10473	2	1" 4 BOLT FLANGE W/BEARING
15	10474	2	TENSION SPRING
16	10335	1	RED PAINT
17	11032	2	HWI LOGO DECAL
18	11121	2	API-72 MODEL # DECAL
19	11636	1	SAFETY DECAL SHEET
20	40099	1	RIGHT ROLLER ARM WELDMENT
21	40100	1	LEFT ROLLER ARM WELDMENT
22	40101	2	TENSION BAR WELDMENT
23	40115	25	CUTTING TOOTH
24	40124	2	TENSION ROD
25	40262	1	API-72 MAIN FRAME WELDMENT
26	40098	1	ROLLER WELDMENT FOR API-72
27	11850	1	WEB DECAL
28	15852	2	RED REFLECTOR DECAL

DWG. NO.			REV.	
40093			D	
REV	CHANGE	BY	DATE	ECN
IR	INITIAL RELEASE	RDD	11/5/96	---
A	UP REV LEVEL TO MATCK B.O.M.	T.R.M.	12/14/99	0522
B	UP REV LEVEL TO MATCH B.O.M.	T.R.M.	12/14/00	0586
C	UPDATE DWG TO MATCH B.O.M.	T.R.M.	6/14/00	0764
D	CHANGE SERIAL # PLATE	T.R.M.	6/20/00	0792

ADD THIS REVISION AT NEXT DRAWING CHANGE

See ECR Change #0980 for Details
Add Qty. (1) Each 15852, 15853

All Dimensions in Inches Unless Otherwise Specified
Dimensions in [] are in Millimeters

Tolerances Unless Otherwise Specified
Fractional Dimensions $\pm 1/16"$ Angular Dimensions $\pm 1"$
Decimal Dim. to Limits Shown All holes to be $+0$
 $-1/32$

DRAWN BY	RDD	11/5/96	HARDEE BY EVH MFG. CO. LORIS S.C.	
CHECKED BY			APPLICATION	OLD PART #
MATERIAL	R.M.N.	N/A	API-72	N/A
MANUFACTURED BY: HARDEE MFG. CO., L.L.C.			DESCRIPTION API-72 PULVERIZER COMPLETE	
DO NOT SCALE	A	DWG. NO.	SHT 1 OF 4 40093	
	DWG SIZE			

DWG. NO.

40093

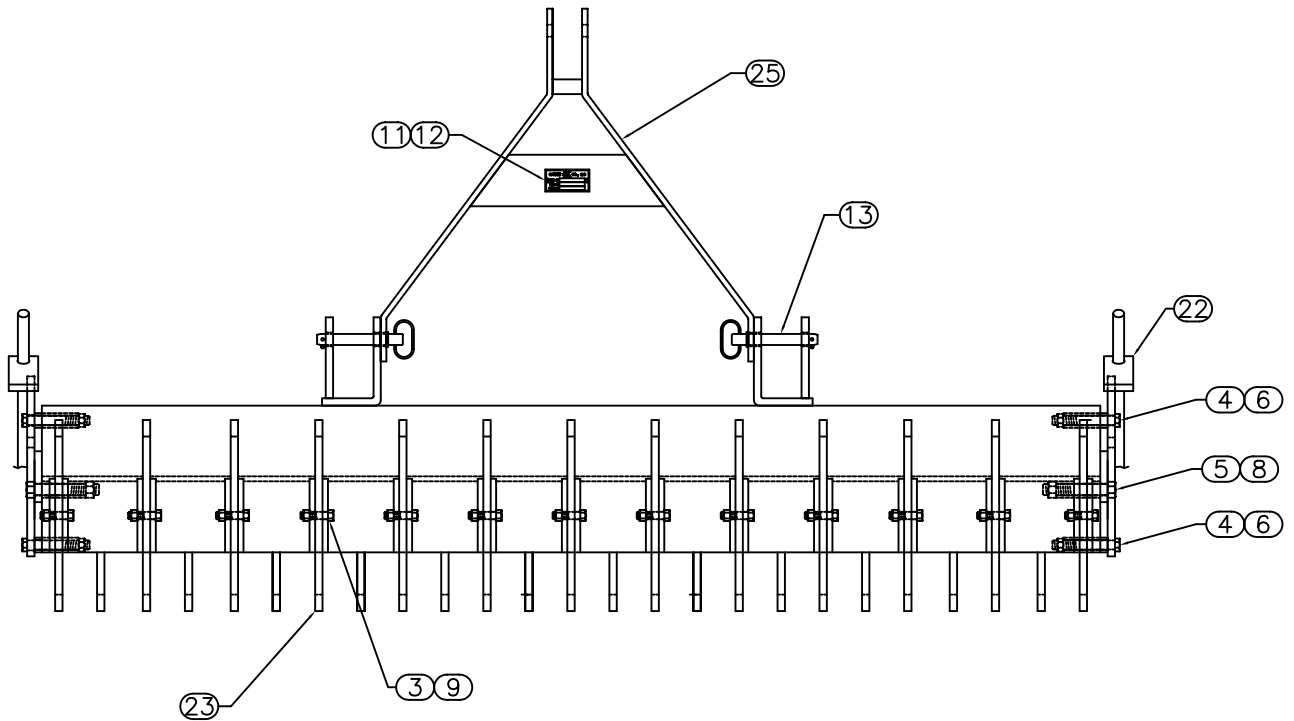
REV.

D

ADD THIS REVISION AT NEXT
DRAWING CHANGE

See ECR Change #0980 for Details
Add Qty. (1) Each 15852, 15853

REV	CHANGE	BY	DATE	ECN
IR	INITIAL RELEASE	R.D.D.	11/5/96	---
A	UP REV LEVEL TO MATCH B.O.M.	T.R.M.	12/14/99	0522
B	UP REV LEVEL TO MATCH B.O.M.	T.R.M.	12/14/99	0586
C	UPDATE DWG TO MATCH B.O.M.	T.R.M.	6/14/00	0764
D	CHANGE SERIAL # PLATE	T.R.M.	6/20/00	0792



DRAWN BY	R.D.D.	11/5/96	HARDEE BY EVH MFG. CO. LORIS S.C.	
CHECKED BY				
MATERIAL	R.M.N.	---	APPLICATION	OLD PART #
MANUFACTURED BY: HARDEE MFG. CO., LLC			API-72	----
			DESCRIPTION API-72 PULVERIZER ASSEMBLY DRAWING	
DO NOT SCALE	A	DWG. NO.	SHEET 2 OF 4 40093	
	DWG SIZE			

All Dimensions in Inches Unless Otherwise Specified
Dimensions in [] are in Millimeters

Tolerances Unless Otherwise Specified
Fractional Dimensions $\pm 1/16"$ Angular Dimensions $\pm 1^\circ$
Decimal Dim. to Limits Shown All holes to be $^{+0}_{-1/32}$

**ADD THIS REVISION AT NEXT
DRAWING CHANGE**

See ECR Change #0980 for Details
Add Qty. (1) Each 15852, 15853

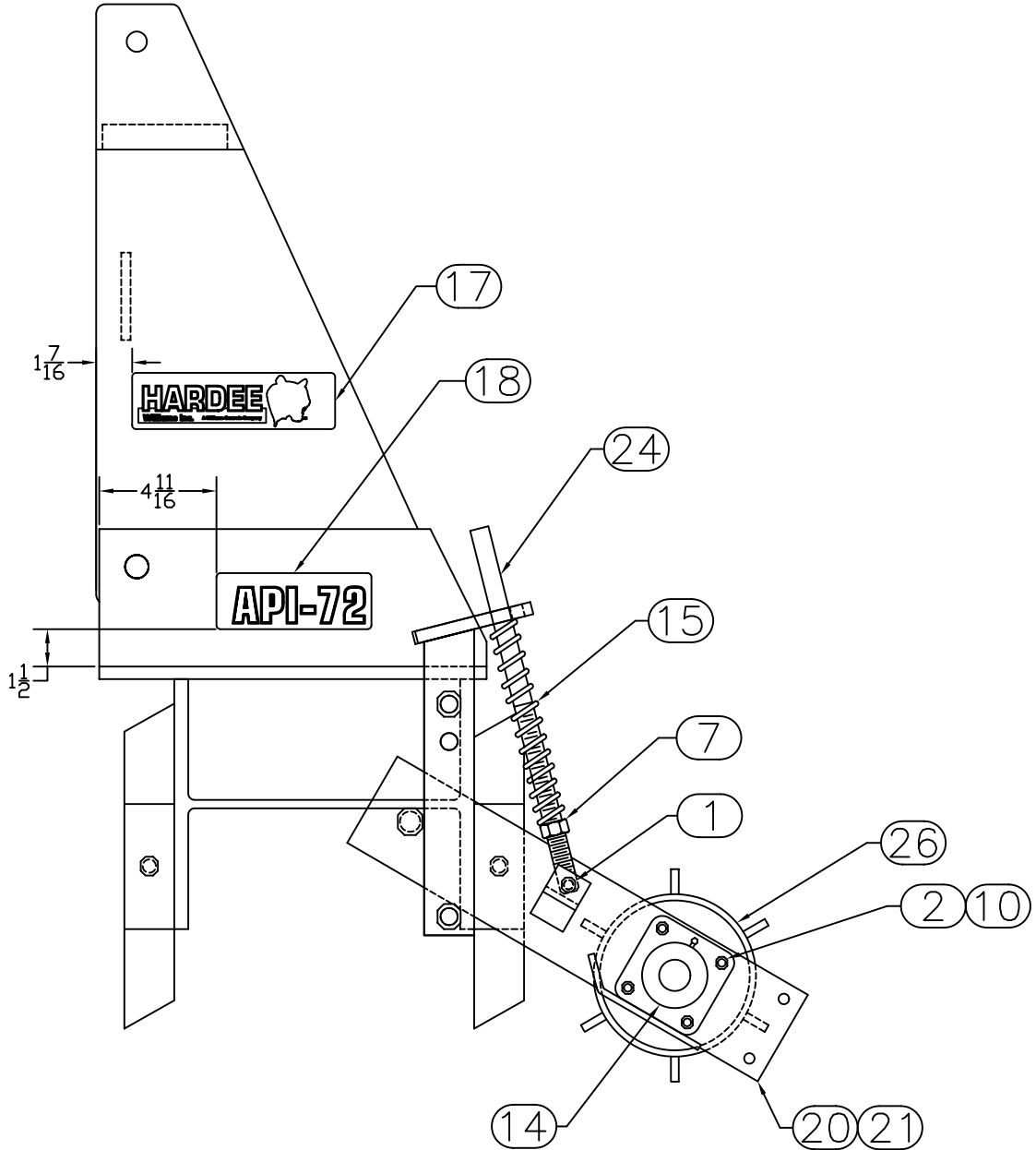
DWG. NO.

40093

REV.

D

REV	CHANGE	BY	DATE	ECN
IR	INITIAL RELEASE	R.D.D.	11/5/96	---
A	UP REV LEVEL TO MATCH B.O.M.	T.R.M.	12/14/99	0522
B	UP REV LEVEL TO MATCH B.O.M.	T.R.M.	12/14/99	0586
C	UPDATE DWG TO MATCH B.O.M.	T.R.M.	6/14/00	0764
D	CHANGE SERIAL # PLATE	T.R.M.	6/20/00	0792



All Dimensions in Inches Unless Otherwise Specified
Dimensions in [] are in Millimeters

Tolerances Unless Otherwise Specified
Fractional Dimensions $\pm 1/16"$ Angular Dimensions $\pm 1^\circ$
Decimal Dim. to Limits Shown All holes to be $\begin{matrix} +0 \\ -1/32 \end{matrix}$

DRAWN BY	R.D.D.	11/5/96
CHECKED BY		

MATERIAL R.M.N. ---
MANUFACTURED BY:
HARDEE MFG. CO., LLC

**HARDEE BY
EVH MFG. CO.
LORIS S.C.**

APPLICATION	OLD PART #
API-72	---
DESCRIPTION API-72 PULVERIZER ASSEMBLY DRAWING	
DO NOT SCALE	DWG. NO.
A DWG SIZE	SHEET 3 OF 4 40093

DWG. NO.

40093

REV.

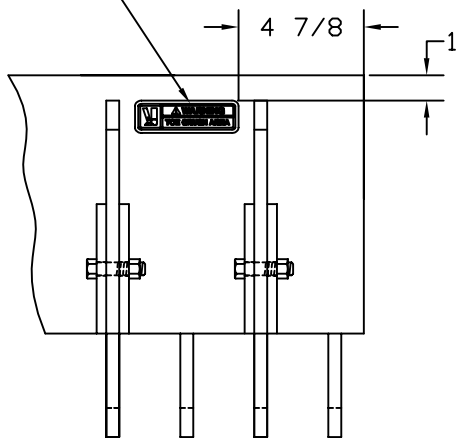
D

REV	CHANGE	BY	DATE	ECN
IR	INITIAL RELEASE	R.D.D.	11/5/96	---
A	UP REV LEVEL TO MATCH B.O.M.	T.R.M.	12/14/99	0522
B	UP REV LEVEL TO MATCH B.O.M.	T.R.M.	12/14/99	0586
C	UPDATE DWG TO MATCH B.O.M.	T.R.M.	6/14/00	0764
D	CHANGE SERIAL # PLATE	T.R.M.	6/20/00	0792

ADD THIS REVISION AT NEXT
DRAWING CHANGE

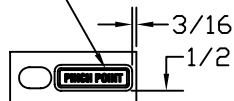
See ECR Change #0980 for Details
Add Qty. (1) Each 15852, 15853

ITEM 4



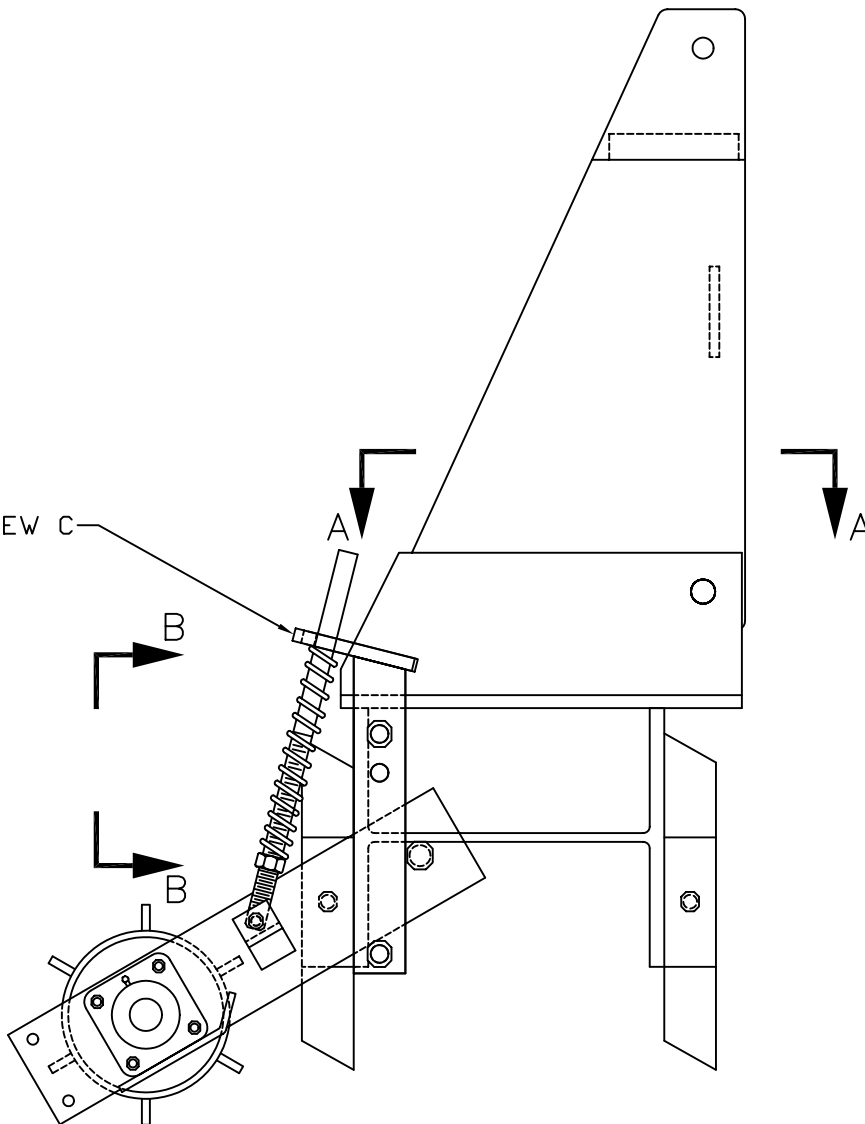
SECTION B-B

ITEM 3

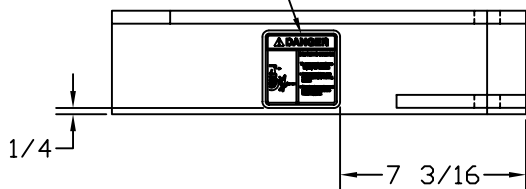


VIEW C

SEE VIEW C



ITEM 5



SECTION A-A

ITEM 19	
DECAL USAGE CHART	
QTY REQD.	NOMENCLATURE OR DESCRIPTION
2	ITEM 3
2	ITEM 4
2	ITEM 5

DRAWN BY	M.J.T.	6/30/99
CHECKED BY		

**HARDEE BY
EVH MFG. CO.
LORIS S.C.**

APPLICATION	OLD PART #
API-72	N/A
DESCRIPTION API-72 PULVERIZER COMPLETE	

MATERIAL R.M.N.
MANUFACTURED BY:
HARDEE MFG. CO., L.L.C.

DO NOT SCALE	A DWG SIZE	DWG. NO. SHEET 4 OF 4 40093
--------------	---------------	--------------------------------

All Dimensions in Inches Unless Otherwise Specified
Dimensions in [] are in Millimeters

Tolerances Unless Otherwise Specified
Fractional Dimensions $\pm 1/16"$ Angular Dimensions $\pm 1^\circ$
Decimal Dim. to Limits Shown All holes to be $\begin{matrix} +0 \\ -1/32 \end{matrix}$