

ITEM NO.	PART NUMBER	QTY REQD.	NOMENCLATURE OR DESCRIPTION
1	40252	1	FRAME WELDMENT
2	40309	1	RIGHT SIDE "A" FRAME
3	40354	1	LEFT SIDE "A" FRAME
4	40166	1	HITCH PIPE
5	40163	3	SCARIFIER LOCK
6	40167	2	"A" FRAME BRACE
7	40207	2	LOCKING PIN
8	10432	2	72" CUTTING EDGE
9	10485	6	ADJUSTABLE SCARIFIER
10	10346	5	THREE POINT SNAP PIN
11	10464	2	CATEGORY 1 & 2 HITCH PIN
12	10232	4	COTTER PIN (3/32" X 3/4")
13	10116	1	HEX BOLT (3/4" X 4 1/2")
14	10111	6	HEX BOLT (3/4" X 2")
15	10168	7	LOCK NUT (3/4" PLATED)
16	10264	16	PLOW BOLT (5/8" X 2")
17	10166	16	LOCK NUT (5/8" PLATED)
18	11131	2	H/W LOGO DECAL (5" X 16")
19	11010	1	H/W LOGO DECAL (4" X 12")
20	11129	1	MODEL # DECAL (2" X 5")
21	11727	1	SERIAL NUMBER PLATE
22	10339	2	RIVET FOR SERIAL # PLATE
23	10335	.5GAL.	RED PAINT
24	11636	1	SAFETY DECAL SHEET
25	11850	1	WEB DECAL
26	15852	2	RED REFLECTOR DECAL

DWG. NO.			REV.	
40146			E	
REV	CHANGE	BY	DATE	ECN
IR	INITIAL RELEASE	M.J.T	2/2/96	---
A	1/2 LOWER SQ. TUBE	M.J.T	12/22/98	0542
B	ADD SAFETY,MODEL&LOGO DECALS	M.J.T	8/3/99	0654
C	NEW TWO HOLE A-FRAME DESIGN	T.O.B.	3/7/00	0754
D	LENGTHEN HITCH BAR	T.O.B.	4/25/00	0789
E	CHANGE SERIAL # PLATE	T.R.M.	6/9/00	0792

**ADD THIS REVISION AT NEXT  
DRAWING CHANGE**

---

See ECR Change #0980 for Details  
Add Qty. (1) Each 15852, 15853

All Dimensions in Inches Unless Otherwise Specified  
Dimensions in [ ] are in Millimeters

Tolerances Unless Otherwise Specified  
Fractional Dimensions  $\pm 1/16"$  Angular Dimensions  $\pm 1^\circ$   
Decimal Dim. to Limits Shown All holes to be  $^{+0}_{-1/32}$

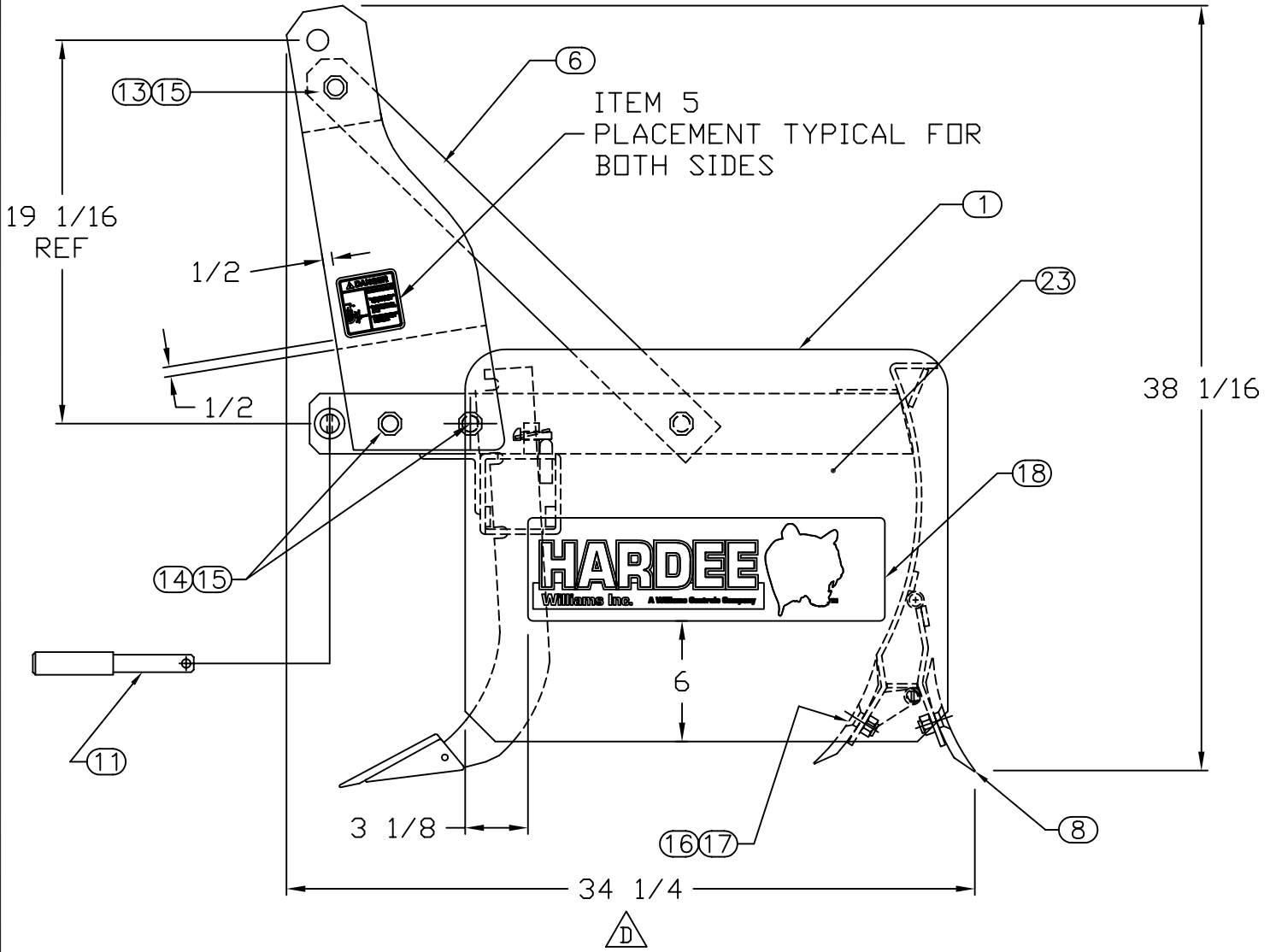
DRAWN BY	M.J.T	12/22/98	<b>HARDEE BY EVH MFG. CO. LORIS S.C.</b>	
CHECKED BY			APPLICATION	OLD PART #
MATERIAL	R.M.N.		ASH72	----
MANUFACTURED BY: HARDEE MFG. CO., LLC			DESCRIPTION ASH72 BOX SCRAPER ASSEMBLY	
DO NOT SCALE	A	DWG. NO.	SHT. 1 OF 4 40146	
	DWG SIZE			

**ADD THIS REVISION AT NEXT  
DRAWING CHANGE**

---

See ECR Change #0980 for Details  
Add Qty. (1) Each 15852, 15853

DWG. NO.			REV.	
40146			E	
REV	CHANGE	BY	DATE	ECN
IR	INITIAL RELEASE	JDS	2/2/96	----
A	1/2 LOWER SQ. TUBE & NEW LOCK	M.A.	4/22/98	0542
B	ADD SAFETY, MODEL & LOGO DECALS	M.J.T.	8/3/99	0654
C	NEW TWO HOLE A-FRAME DESIGN	T.O.B.	3/7/00	0754
D	LENGTHEN HITCH BAR	T.O.B.	4/25/00	0789
E	CHANGE SERIAL # PLATE	T.R.M.	6/9/00	0792



All Dimensions in Inches Unless Otherwise Specified  
Dimensions in [ ] are in Millimeters

Tolerances Unless Otherwise Specified  
Fractional Dimensions  $\pm 1/16"$   
Decimal Dim. to Limits Shown

Angular Dimensions  $\pm 1^\circ$   
All holes to be  $+0$   
 $-1/32$

DRAWN BY	M.J.T.	12/22/98	<b>HARDEE BY EVH MFG. CO. LORIS S.C.</b>	
CHECKED BY				
MATERIAL	R.M.N.		APPLICATION	OLD PART #
MANUFACTURED BY: HARDEE MFG. CO., LLC			ASH72	----
			DESCRIPTION ASH72 BOX SCRAPER ASSEMBLY	
DO NOT SCALE	A	DWG. NO.	40146	
DWG SIZE	SHT 2 OF 4			

DWG. NO.

40146

REV.

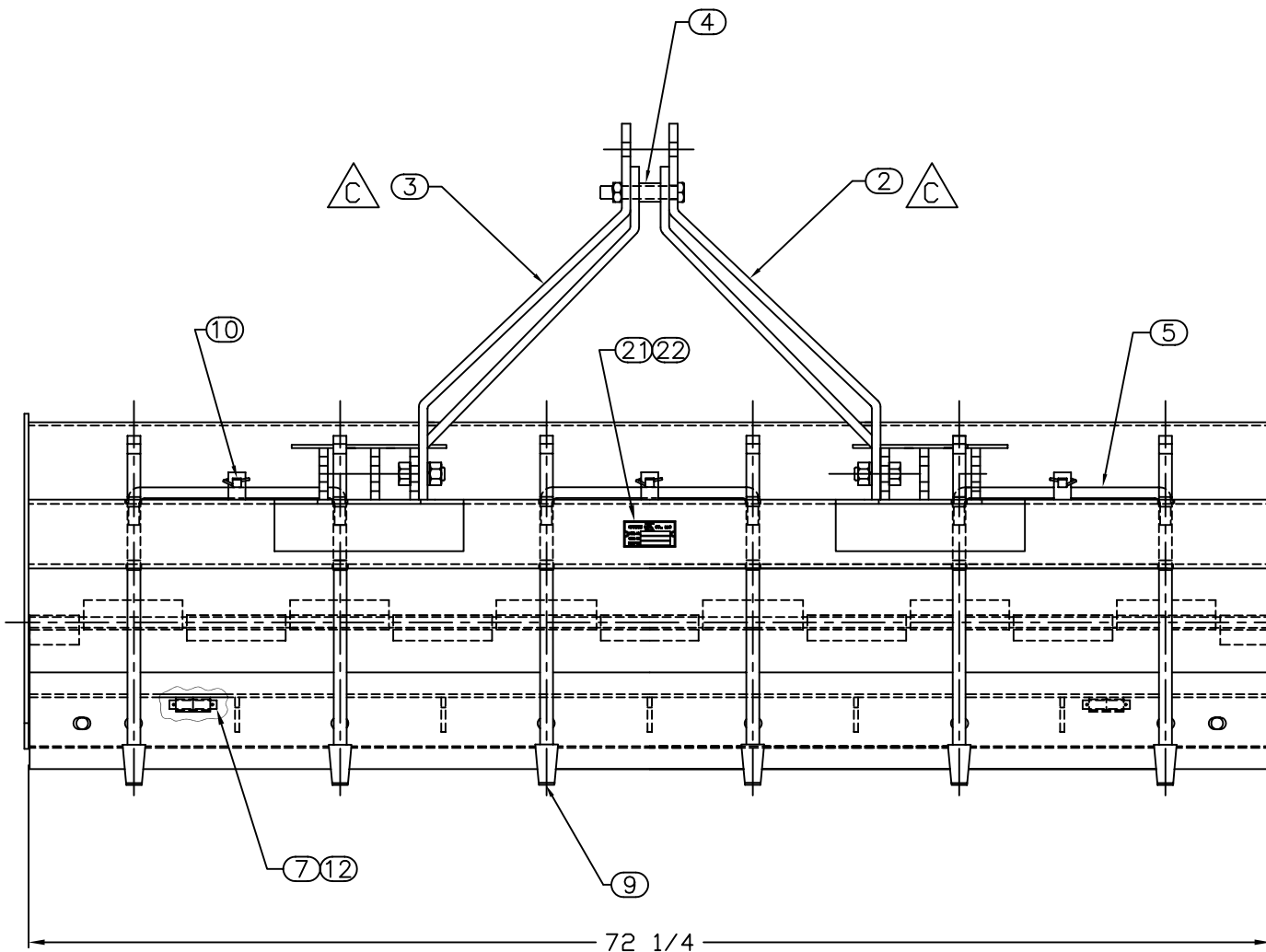
E

ADD THIS REVISION AT NEXT  
DRAWING CHANGE

---

See ECR Change #0980 for Details  
Add Qty. (1) Each 15852, 15853

REV	CHANGE	BY	DATE	ECN
IR	INITIAL RELEASE	JDS	2/2/96	---
A	1/2 LOWER SQ. TUBE & NEW LOCK	M.A.	4/22/98	0542
B	ADD SAFETY, MODEL & LOGO DECALS	M.J.T.	8/3/99	0654
C	NEW TWO HOLE A-FRAME DESIGN	T.O.B.	3/7/00	0754
D	LENGTHEN HITCH BAR	T.O.B.	4/25/00	0789
E	CHANGE SERIAL # PLATE	T.R.M.	6/9/00	0792



DRAWN BY	MA	12/22/98
CHECKED BY		

**HARDEE BY  
EVH MFG. CO.  
LORIS S.C.**

MATERIAL	R.M.N.
MANUFACTURED BY: HARDEE MFG. CO., LLC	

APPLICATION	OLD PART #
ASH72	---
DESCRIPTION ASH72 BOX SCRAPER ASSEMBLY	
DO NOT SCALE	A
DWG. NO.	SHT 3 OF 4 40146

All Dimensions in Inches Unless Otherwise Specified  
Dimensions in [ ] are in Millimeters

Tolerances Unless Otherwise Specified  
Fractional Dimensions  $\pm 1/16"$  Angular Dimensions  $\pm 1^\circ$   
Decimal Dim. to Limits Shown All holes to be  $\begin{matrix} +0 \\ -1/32 \end{matrix}$

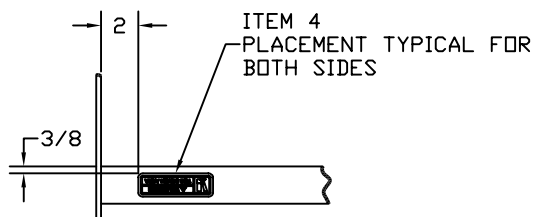
DWG. NO.

40146

REV.

E

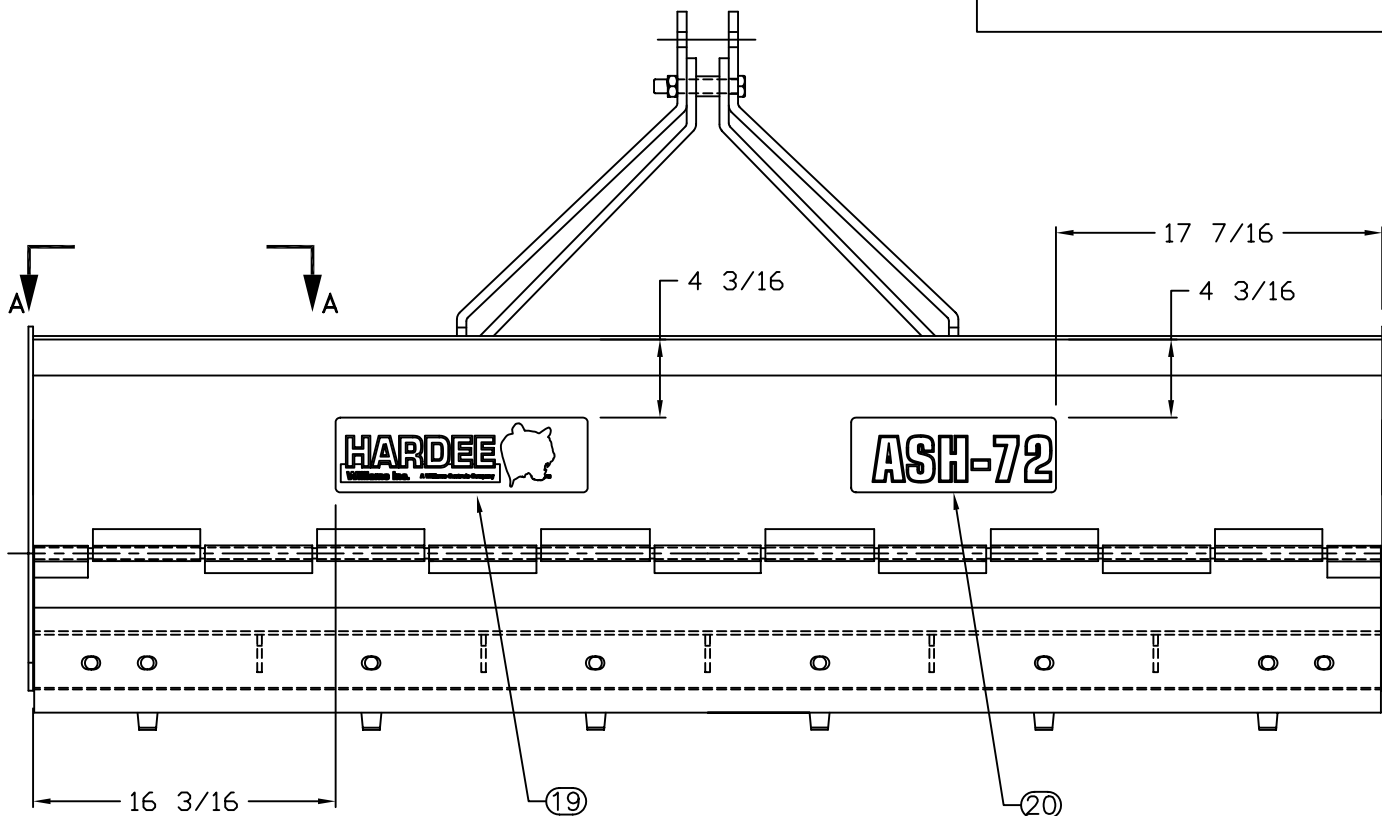
REV	CHANGE	BY	DATE	ECN
IR	INITIAL RELEASE	JDS	2/2/96	----
A	1/2 LOWER SQ. TUBE & NEW LOCK	M.A.	4/22/98	0542
B	ADD SAFETY, MODEL & LOGO DECALS	M.J.T.	8/3/99	0654
C	NEW TWO HOLE A-FRAME DESIGN	T.O.B.	3/7/00	0754
D	LENGTHEN HITCH BAR	T.O.B.	4/25/00	0789
E	CHANGE SERIAL # PLATE	T.R.M.	6/9/00	0792



VIEW A

ADD THIS REVISION AT NEXT DRAWING CHANGE

See ECR Change #0980 for Details  
Add Qty. (1) Each 15852, 15853



ITEM 24

DECAL USAGE CHART

QTY REQD.	NOMENCLATURE OR DESCRIPTION
2	ITEM 4
2	ITEM 5

DRAWN BY	M.J.T.	12/22/98
CHECKED BY		

**HARDEE BY  
EVH MFG. CO.  
LORIS S.C.**

MATERIAL R.M.N.  
MANUFACTURED BY:  
HARDEE MFG. CO., LLC

APPLICATION	OLD PART #
ASH72	----
DESCRIPTION ASH72 BOX SCRAPER DECAL PLACEMENT SHEET	
DO NOT SCALE	A
DWG. NO.	40146
SHT 4 OF 4	

All Dimensions in Inches Unless Otherwise Specified  
Dimensions in [ ] are in Millimeters

Tolerances Unless Otherwise Specified  
Fractional Dimensions  $\pm 1/16"$  Angular Dimensions  $\pm 1^\circ$   
Decimal Dim. to Limits Shown All holes to be  $+0$   
 $-1/32$