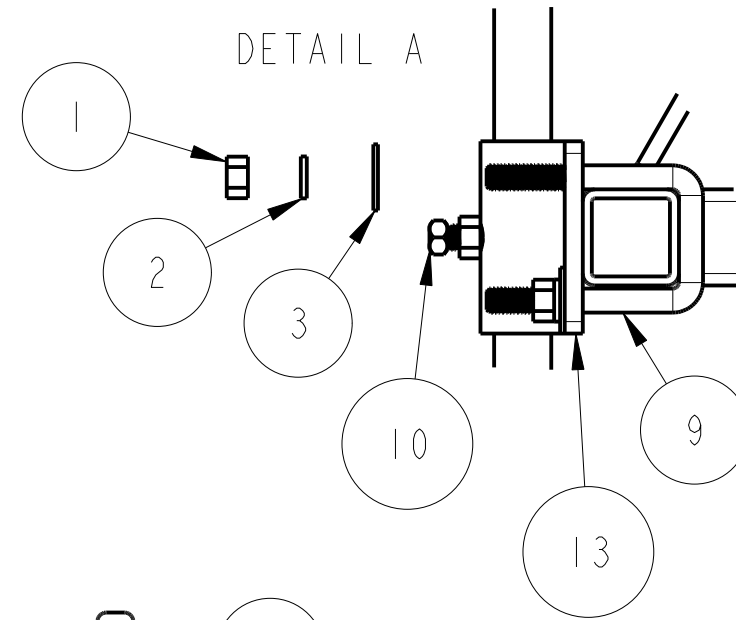


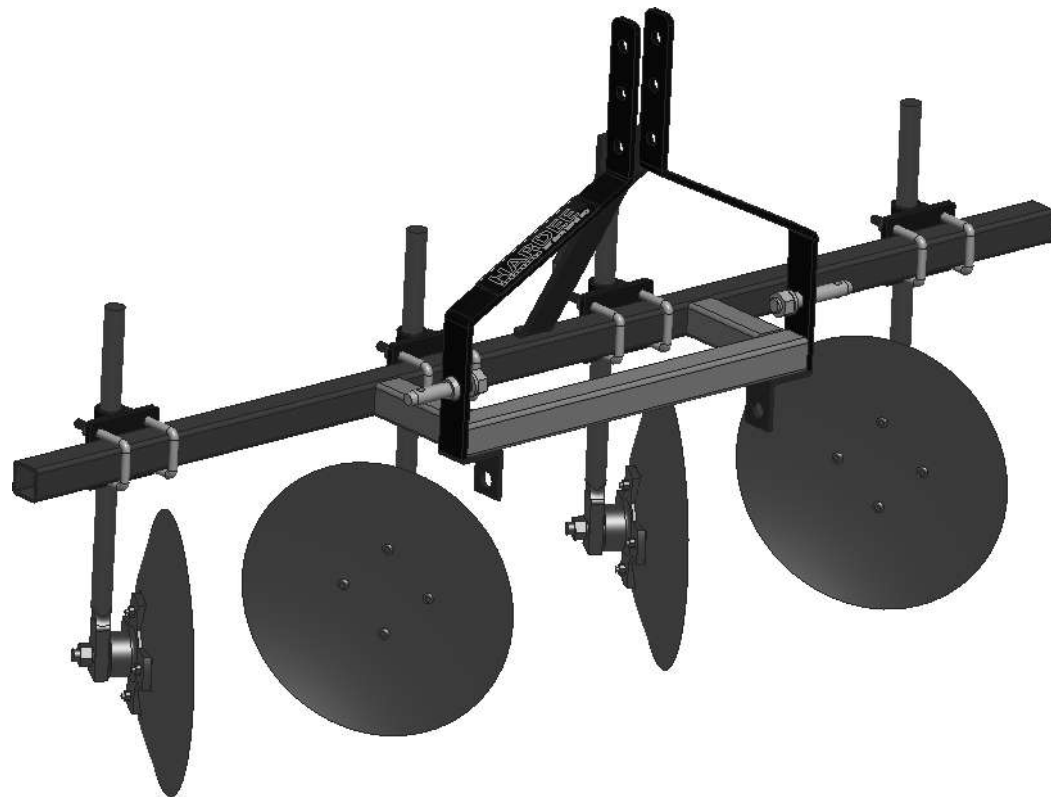
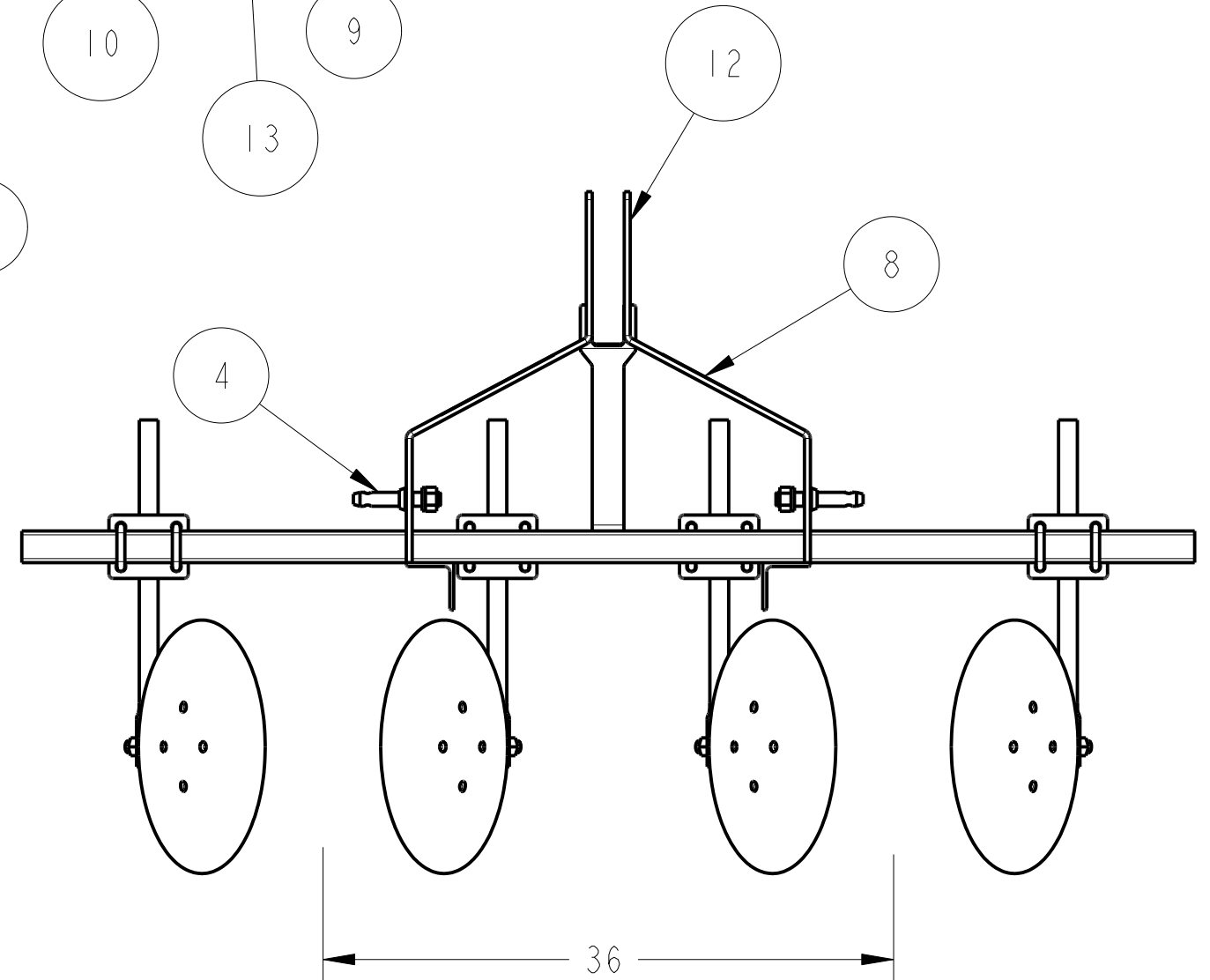
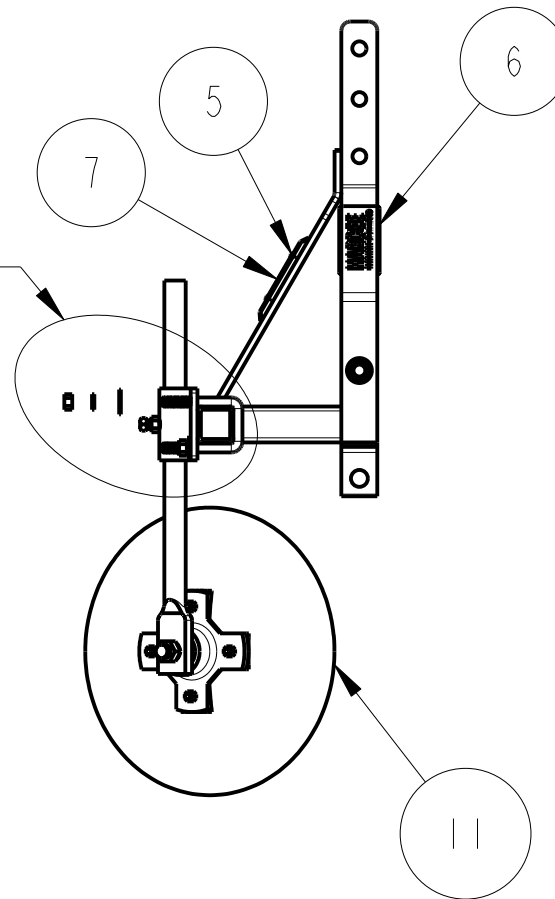
Item	Part Number	Qty.	Description
1	10164	16	HEX NUT, 1/2" (Gr.5 Plated)
2	10184	16	LOCKWASHER, 1/2" PLATED
3	10204	16	FLATWASHER, 1/2" USS PLATED
4	10307	2	CATEGORY I HITCH PIN
5	10339	2	POP RIVET
6	11032	1	DECAL, SMALL HARDEE LOGO
7	11727	1	SERIAL NUMBER PLATE
8	11850	1	DECAL, WEB SITE
9	15963	8	U-Bolt Sq. - 2 1/16 X 4 X 1 1/2 - 13 Threads 1 5/8" Long
10	16304	4	HILLER- SET SCREW
11	16698	4	Disc Hiller, 16" - 4 Bolt "Blanton Style"
12	40607	1	WELDMENT - GARDEN BEDDER 74"
13	40616	4	WELDMENT - GARDEN BEDDER 48"

DWG. NO.	40602			REV.	A
REV	CHANGE	BY	DATE	ECN	
IR	INITIAL RELEASE	C.K.N.	2/17/16	---	
A	REDESIGN TO BE COMATIBLE WITH QUICK HITCH	C.K.N.	05/28/21	1793	

DETAIL A



SEE DETAIL A



All Dimensions in Inches Unless Otherwise Specified  
 Dimensions in [ ] are in Millimeters  
 Tolerance Unless Otherwise Specified  
 Fractional Dimensions: 1/16" Angular Dimensions: 1°  
 Decimal Dim. to Limits Shown All Holes to be +0 -1/32"

MODELED BY	M. J. Z.	05/28/21
CHECKED BY	C. K. N.	05/28/21

**HARDEE BY  
 EVH MFG. CO.**  
 LORIS S.C.

MATERIAL	R.M.N.
	N/A

DESCRIPTION SHEET 1 of 1  
 GARDEN BEDDER 74" (2 ROW)

Manufactured By:  
 EVH Mfg. Co., LLC

DO NOT SCALE DWG. NO. 40602