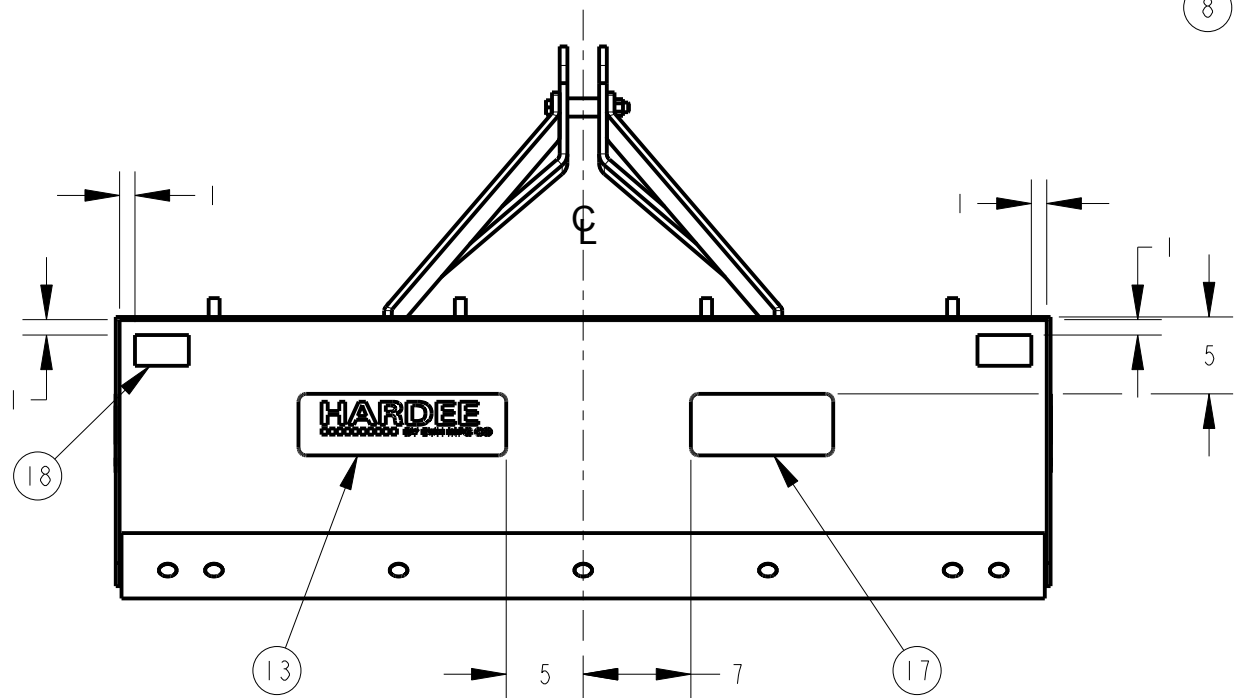
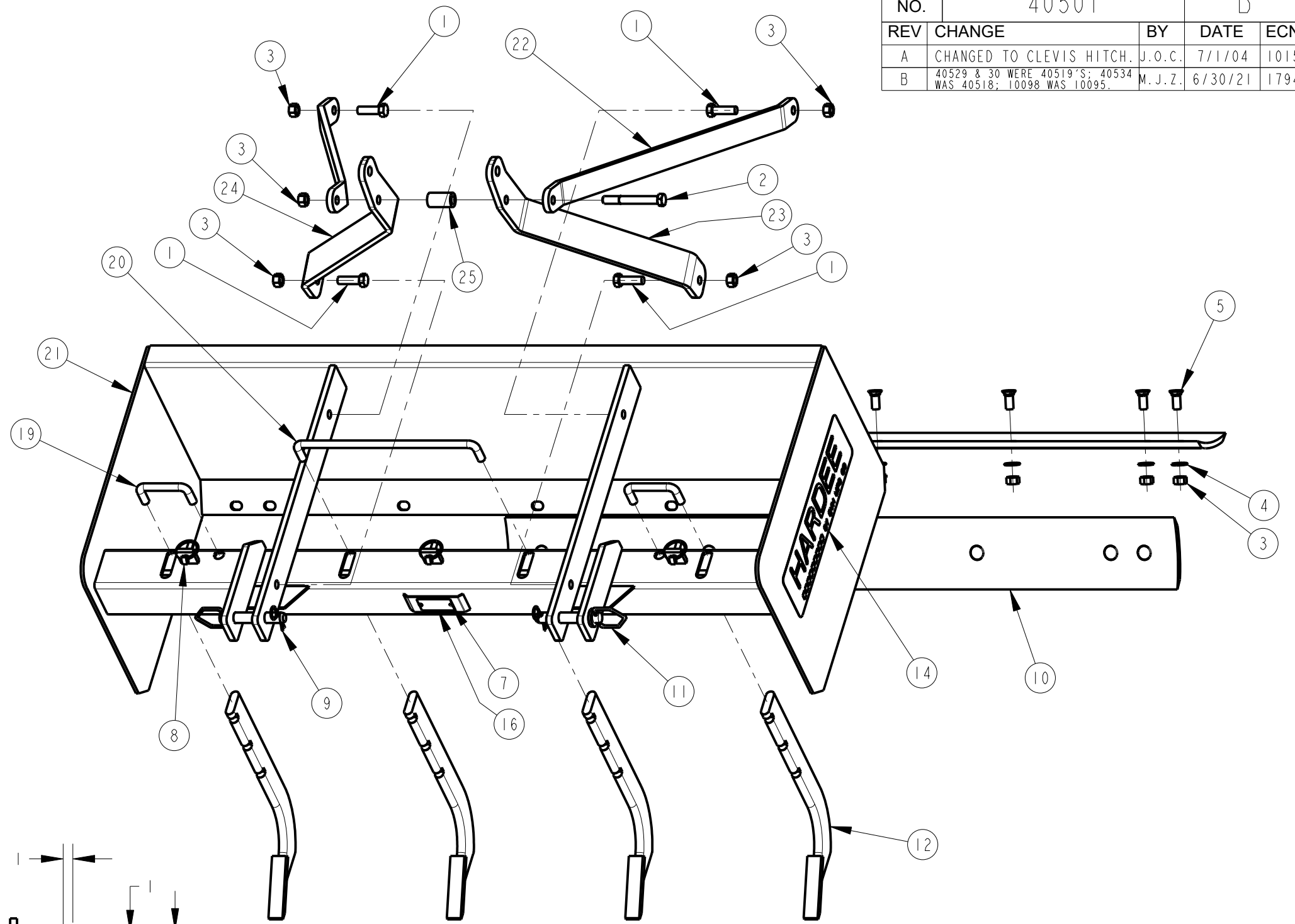


Item	Part Number	Qty.	Description
1	10092	4	HEX BOLT, 5/8" X 2" Gr.5 PLATED
2	10098	1	HEX BOLT, 5/8"-11 X 5" Gr.5 PLATED
3	10166	19	LOCKNUT, 5/8"-11 PLATED
4	10212	14	FLAT WASHER, 5/8" S.A.E. PLATED
5	10262	14	PLOW BOLT, 5/8" X 1-1/2 Gr.5 PLATED
6	10335	1	HARDEE RED PAINT - (Not Shown)
7	10339	2	POP RIVET
8	10346	3	3 Pt. Snap Pin (Lynch Pin)
9	10391	2	Clip Pin (Hairpin) 3/16 X 3-1/4"
10	10431	2	BLADE, 60", CUTTING EDGE
11	10469	2	HITCH PIN (4-1/4" CAT. 1)
12	10485	4	SCARIFIER
13	11010	1	LARGE HARDEE LOGO DECAL
14	11131	2	DECAL, HARDEE BY EVH MFG (5 X 16)
15	11636	1	DECAL, Landscape & Disc Harrow Kit
16	11727	1	SERIAL NUMBER PLATE
17	11857	1	DECAL, MODEL ES-60
18	15852	2	RED REFLECTOR DECAL
19	40162	2	SCARIFIER LOCK
20	40295	1	SCARIFIER LOCK
21	40510	1	ES-60 FRAME WELDMENT
22	40520	2	ES STRUT (CLEVIS STYLE)
23	40529	1	ES LEFT A-FRAME - QUICK HITCH
24	40530	1	ES RIGHT A-FRAME - QUICK HITCH
25	40534	1	BUSHING, ES QUICK HITCH

DWG. NO.	40501		REV.	B	
REV	CHANGE	BY	DATE	ECN	
A	CHANGED TO CLEVIS HITCH.	J.O.C.	7/1/04	1015	
B	40529 & 30 WERE 40519'S; 40534 WAS 40518; 10098 WAS 10095.	M.J.Z.	6/30/21	1794	



All Dimensions in Inches Unless Otherwise Specified
 Dimensions in [] are in Millimeters
 Tolerance Unless Otherwise Specified
 Fractional Dimensions: 1/16"
 Decimal Dim. to Limits Shown
 Angular Dimensions: 1°
 All Holes to be +0 -1/32"

MODELED BY	J.O.C.	7/1/04	HARDEE BY EVH MFG. CO. LORIS S.C.	
CHECKED BY	J.O.C.	7/15/03		
MATERIAL	R.M.N.	N/A	DESCRIPTION	SHEET 1 of 1
Manufactured By: EVH Mfg. Co., LLC			ES-60 BOX BLADE	
DO NOT SCALE	DWG. NO.	40501		