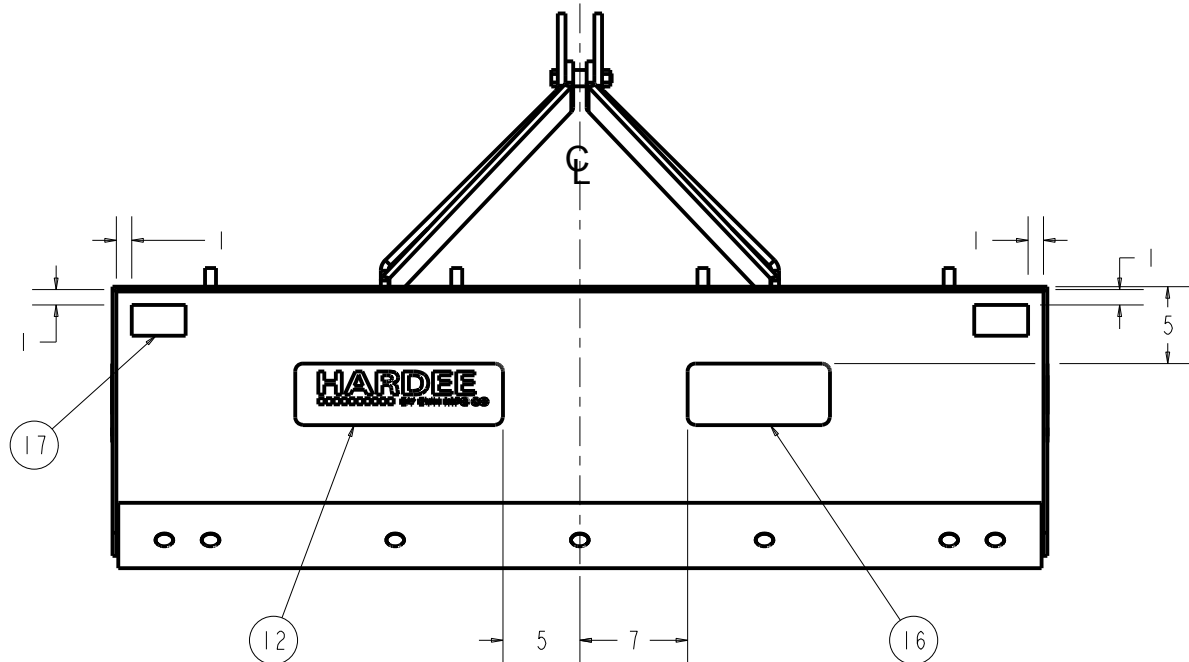
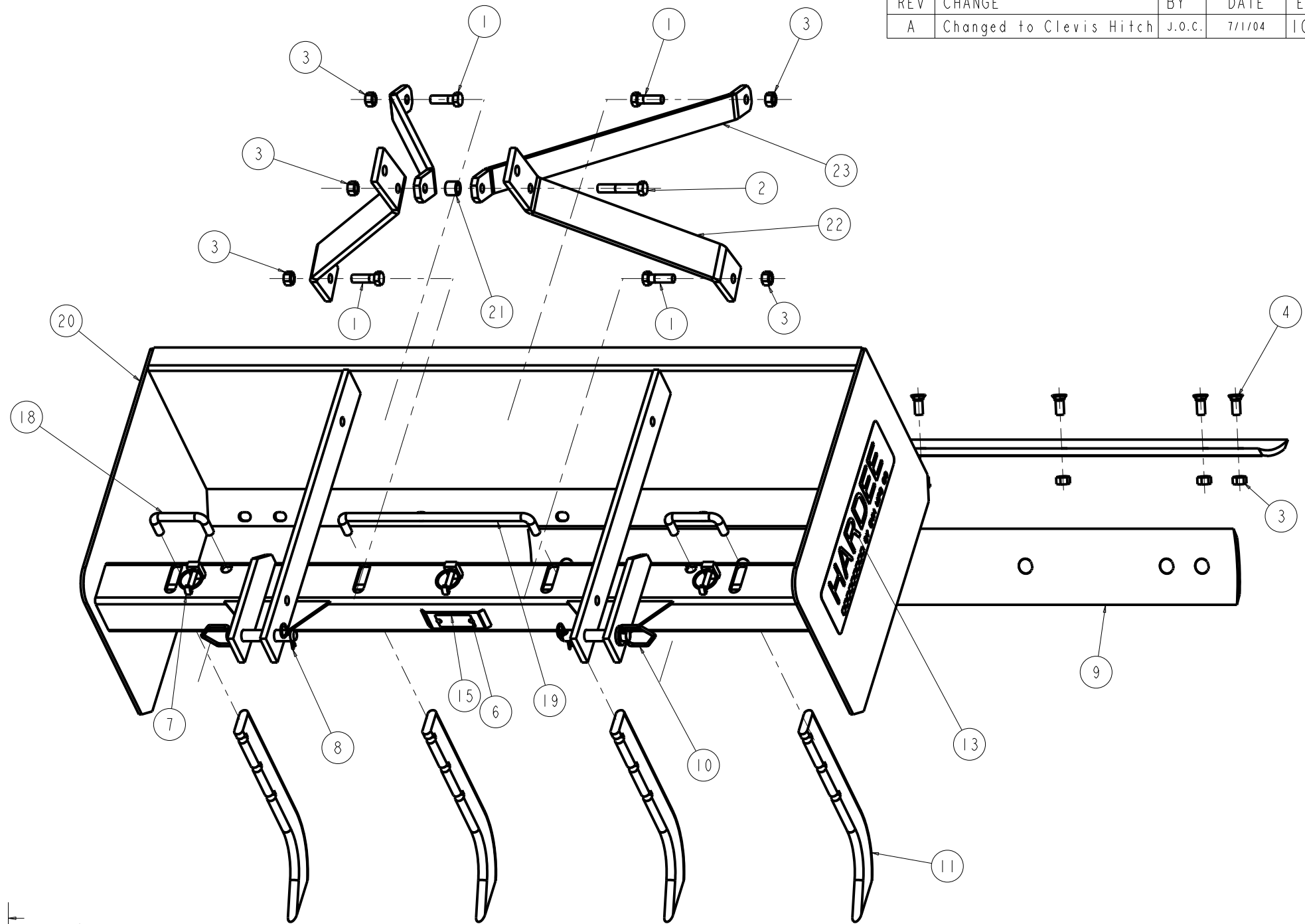


Item	Part Number	Qty.	Description
1	10092	4	Hex Bolt 5/8 x 2 gr.5 plated
2	10095	1	Hex Bolt 5/8" x 3 1/2" gr.5 Plated
3	10166	19	Lock Nut 5/8"-11 plated
4	10262	14	Plow Bolt 5/8 x 1 1/2 Gr.5 Plated
5	10335	1	Hardee Red Paint - (Not Shown)
6	10339	2	Pop Rivet
7	10346	3	3 pt. Snap Pin (Lynch Pin)
8	10391	2	Clip Pin (Hairpin) 3/16 X 3-1/4"
9	10431	2	60 Cutting Edge
10	10469	2	HITCH PIN (4-1/4" CAT. 1)
11	10485	4	Scarifier
12	11010	1	Large Hardee Logo Decal
13	11131	2	Large Hardee Logo Decal
14	11636	1	Safety Decal Sheet
15	11727	1	Serial Number Plate
16	11857	1	Large Hardee Logo Decal
17	15852	2	Red Reflector Decal
18	40162	2	Scarifier Lock
19	40295	1	Scarifier Lock
20	40510	1	ES-60 Frame Weldment
21	40518	1	ES Hitch Spacer
22	40519	2	ES A-Frame (Clevis Style)
23	40520	2	ES Strut (Clevis Style)

DWG. NO.	40501			REV.	A
REV	CHANGE	BY	DATE	ECN	
A	Changed to Clevis Hitch	J.O.C.	7/1/04	1015	



All Dimensions in Inches Unless Otherwise Specified
 Dimensions in [] are in Millimeters
 Tolerance Unless Otherwise Specified
 Fractional Dimensions ± 1/16" Angular Dimensions ± 1°
 Decimal Dim. to Limits Shown All Holes to be +0 -1/32"

DRAWN BY	J.O.C.	7/1/04	HARDEE BY EVH MFG. CO.	
CHECKED BY	J.O.C.	7/15/03	LORIS S.C.	
MATERIAL	R.M.N.	N/A	DESCRIPTION	SHEET 1 of 1
			ES-60	
DO NOT SCALE	B	DWG. NO.	40501	
	DWG SIZE			