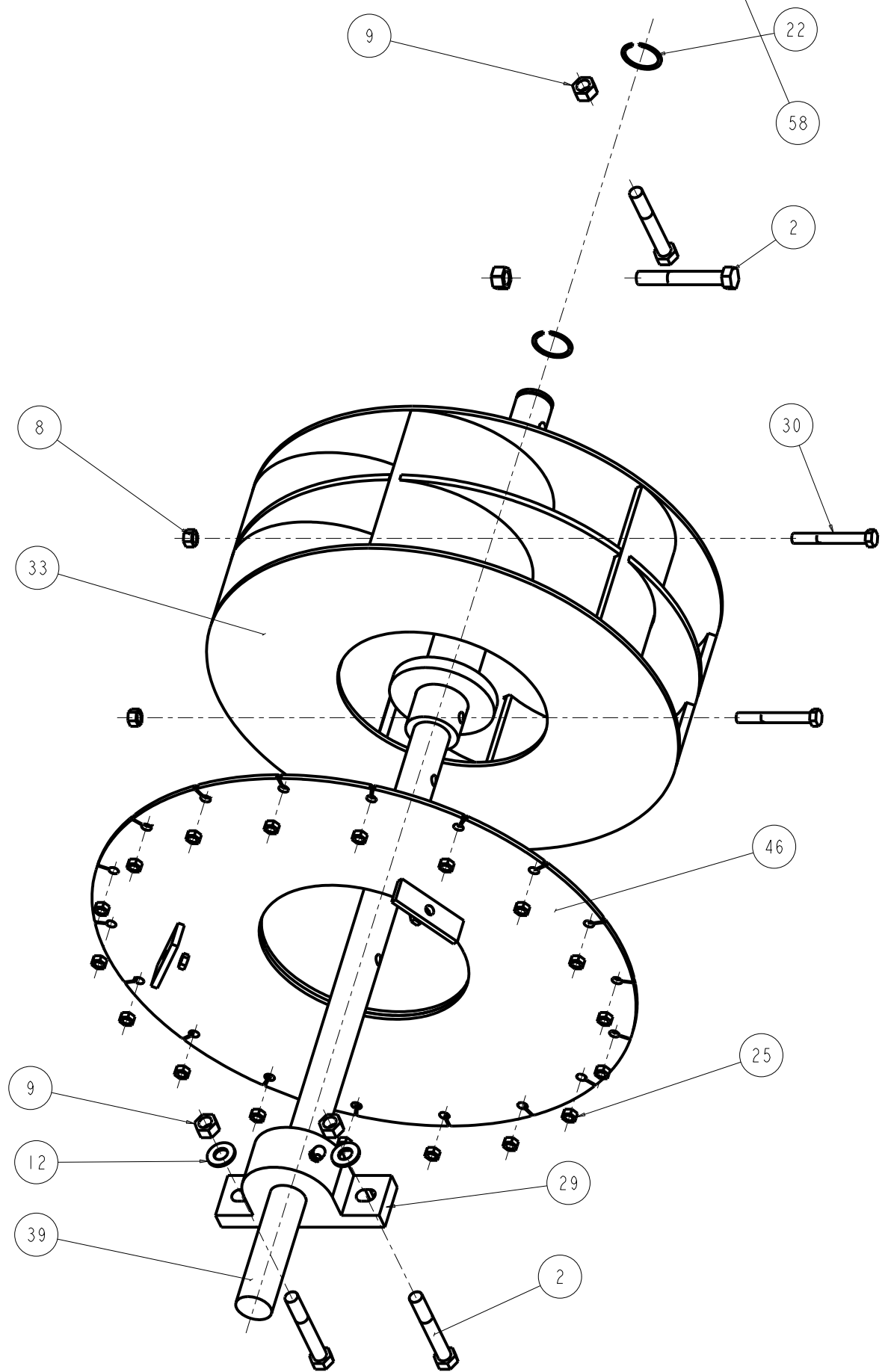
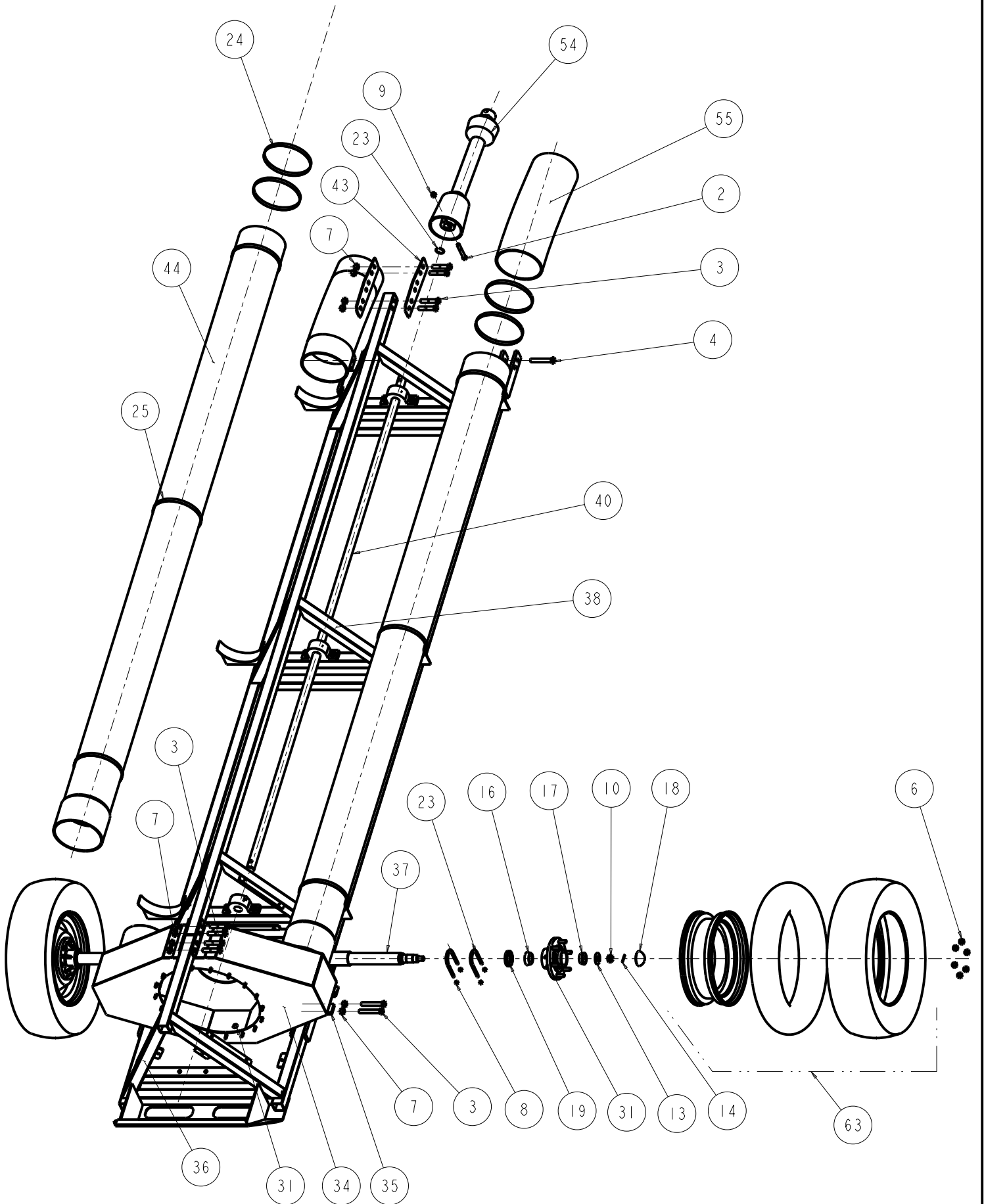


COMPLETE UNIT  
MODEL: TYPHOON 8800

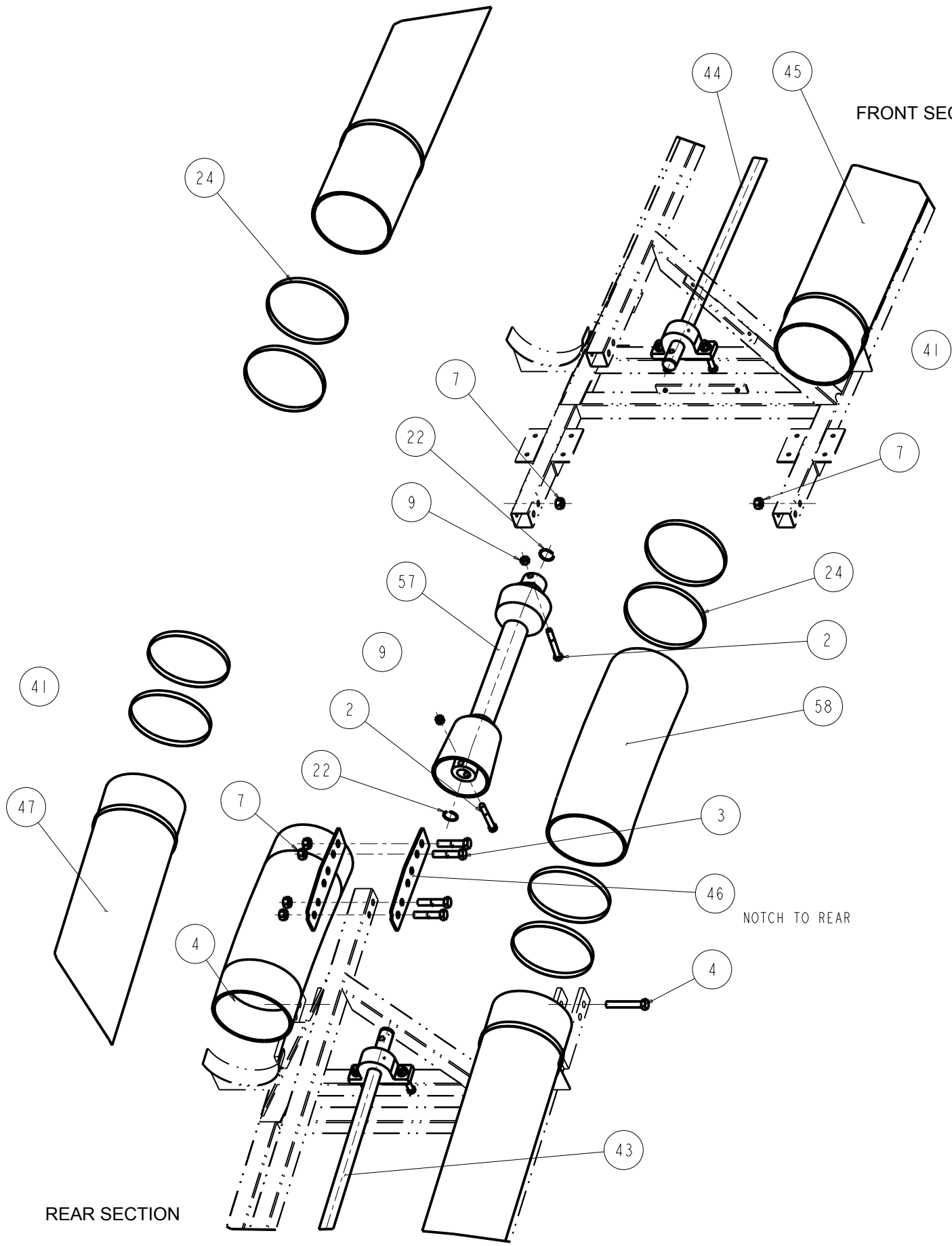


PARTS LISTING FOR IMPELLER ASSEMBLY  
 MODEL: TYPHOON 8800



PARTS LISTING FOR REAR SECTION ASSEMBLY  
 MODEL: TYPHOON 8800

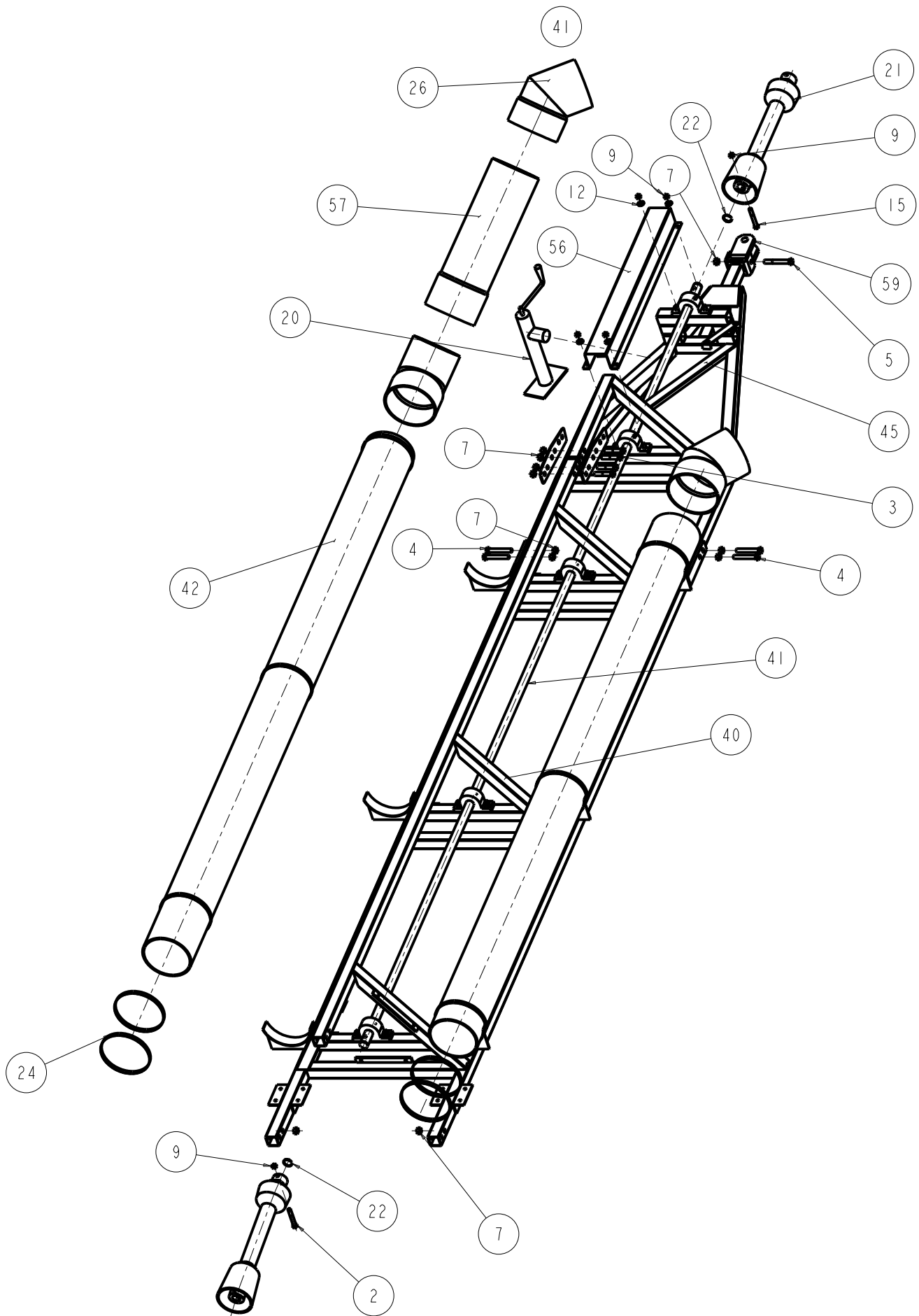
FRONT SECTION



REAR SECTION

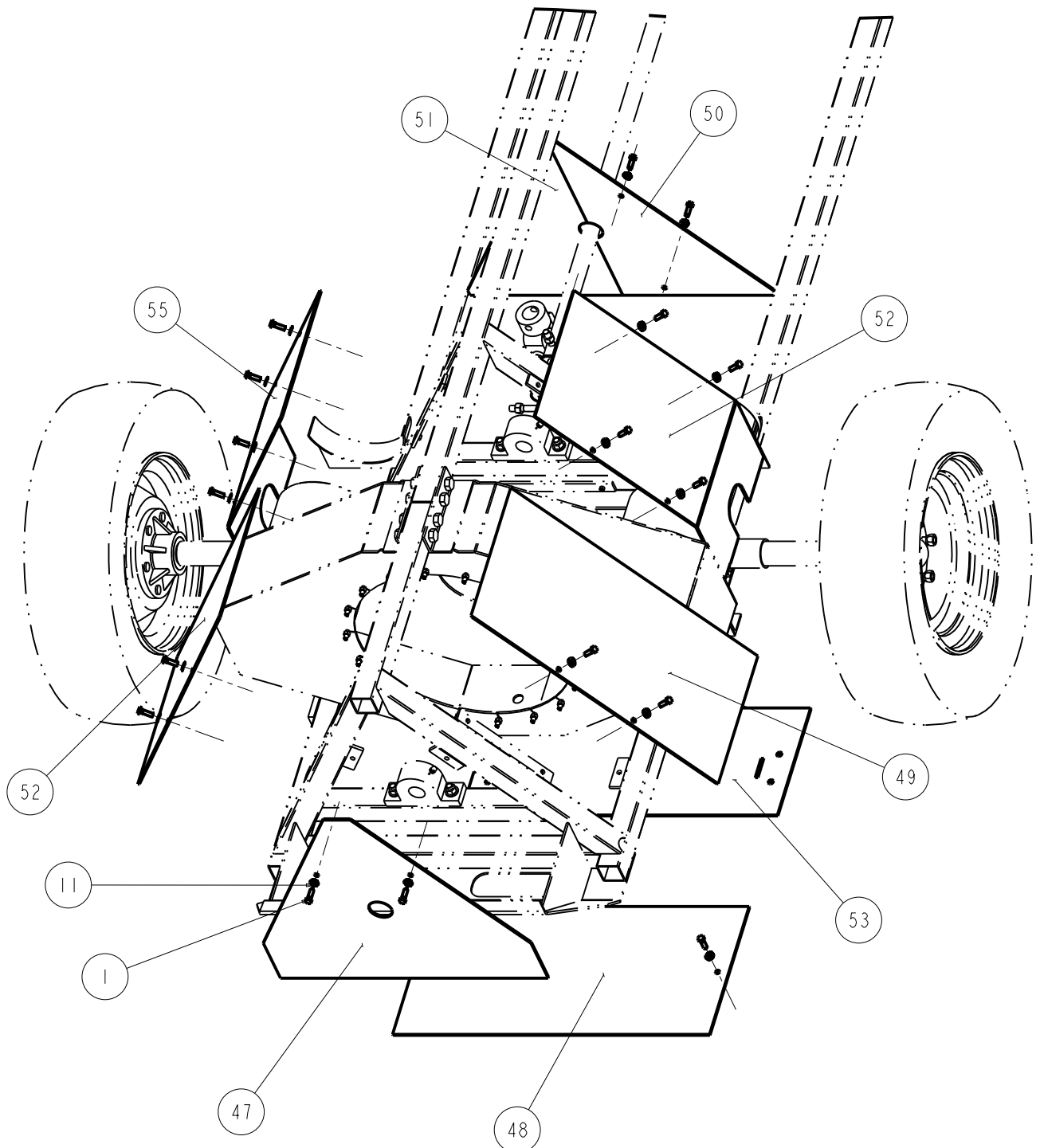
NOTCH TO REAR

PARTS LISTING FOR SECTION ASSEMBLY  
MODEL: TYPHOON 8800



PARTS LISTING FOR FRONT SECTION ASSEMBLY  
 MODEL: TYPHOON 8800

Item	Part Number	Qty.	Description
1	10017	20	Hex Bolt 5/16" X 1" gr.5 Plated
2	10076	22	1/2 X 3 1/2 Hex Bolt (Gr.5 Plated)
3	10094	12	Hex Bolt 5/8" x 3" gr.5 Plated
4	10096	10	Hex Bolt 5/8"-11 x 4" gr.5 Plated
5	10097	1	Hex Bolt 5/8"-11 x 4 1/2" gr.5 Plated
6	10150	12	Lug Nut (1/2" - 20 UNF)
7	10166	23	Lock Nut 5/8"-11 plated
8	10175	10	3/8"-16 Locknut (Gr.5 Plated)
9	10176	23	1/2" Locknut (Gr.5 Plated)
10	10179	2	Castle Nut (3/4") Gr.5 Fine Thread
11	10201	20	5/16" Flatwasher (Plated)
12	10204	18	1/2 Flatwasher (Plated)
13	10206	2	Flatwasher 3/4 plated
14	10243	2	Cotter Pin 5/32" X 2" Plated
15	10269	1	Hex Bolt 1/2" X 3 3/4" gr.2 Plated
16	10437	2	Inner Bearing
17	10438	2	Outer Bearing
18	10439	2	Dust Cap
19	10440	2	Grease Seal
20	10618	1	10" Jack
21	11174	1	Splineless Driveshaft
22	11469	5	Retaining Ring
23	11815	4	3/8" X 2.44" X 4.44" U-Bolt
24	11816	8	Hose Clamp
25	11817	18	5/16" - 18 UNC Stainless Steel Hex Nut
26	11825	3	8" SDR-35 45 Elbow
27	11840	4	Grease Fitting (1/8" NPT 90 degree)
28	13595	1	1" NPT Plug
29	15113	9	1-3/8" Pillow Block Bearing
30	15117	2	Hex Bolt 3/8 x 3 gr.8 plated
31	25203	2	6 Lug Hub with Cups and Studs
32	30323	2	9.5L X 15 Tire, Tube and Rim
33	70101	1	Pump Weldment
34	70107	1	Pump Housing Weldment
35	70117	2	Housing Clamp Plate
36	70120	1	Wheel and Skid Weldment
37	70126	1	Axle Weldment
38	70130	2	Pump Frame Weldment
39	70141	1	Rear Pump Shaft
40	70142	1	Middle Pump Shaft
41	70143	1	Front Pump Shaft
42	70144	2	Front Discharge Pipe
43	70145	4	Top Connector Plate
44	70146	2	Discharge Pipe
45	70147	1	Tounge Weldment
46	70157	1	PUMP COVER PLATE WELDMENT
47	70162	1	Rear Guard
48	70163	1	Rear Bottom Guard
49	70164	2	Rear Side Guard
50	70165	1	Front Right Guard
51	70166	1	Front Left Guard
52	70167	2	Front Side Guard
53	70168	1	Front Bottom Guard
54	70171	1	Middle Driveshaft
55	70172	2	Connector Hose
56	70173	1	Pump Shaft Shield
57	70174	1	Female End Cut Pipe
58	70177	1	Connector Universal
59	70185	1	Clevis Weldment



PARTS LISTING FOR IMPELLER GUARDS  
MODEL: TYPHOON 8800