

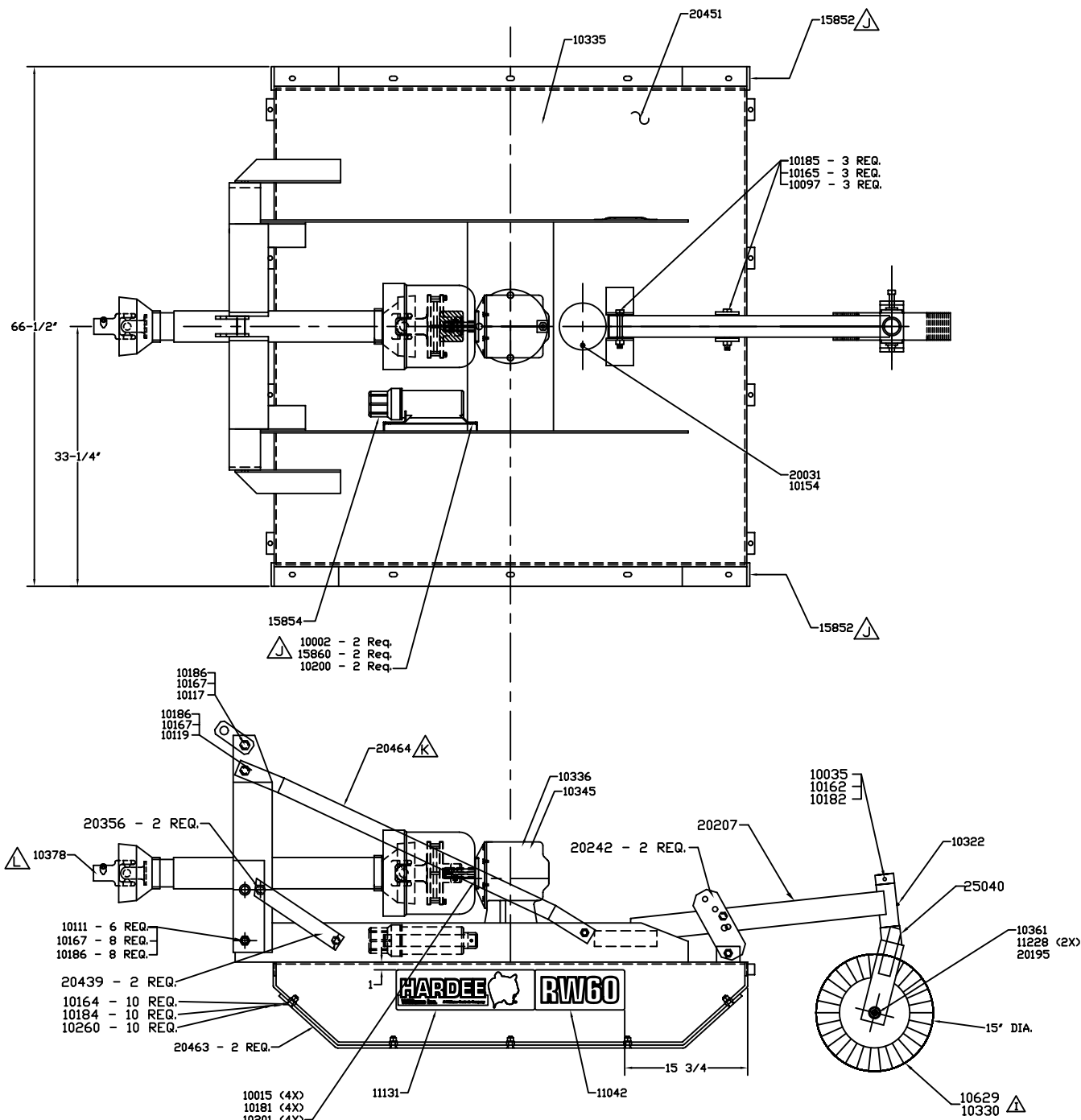
DWG. NO.

20470

REV.

N

REV	CHANGE	BY	DATE	ECN
J	Added Manual Holder	JOC	7/21/04	0980
K	Changed From 20353	JOC	7/21/04	1023
L	Driveshaft Was 11567	R.T.N.	4/01/05	1058
M	B.O.M CHANGES	B.C	6/28/07	1161
N	CORRECTED PART 20005 TO 25040	M.T.B	2/3/2010	1364



DRAWN BY	M.J.T.	4/5/99
CHECKED BY		
MATERIAL	R.M.N.	
MANUFACTURED BY:	EVH MANUFACTURING CO	

EVH MANUFACTURING CO LORIS S.C.	
APPLICATION	OLD PART #
RW60	----
DESCRIPTION ASSEMBLY DRAWING FOR RW60	
DO NOT SCALE	DWG. NO.
A	20470
DWG SIZE	SHT 1 OF 2

All Dimensions in Inches Unless Otherwise Specified
 Dimensions in [] are in Millimeters

Tolerances Unless Otherwise Specified
 Fractional Dimensions ±1/16" Angular Dimensions ±1°
 Decimal Dim. to Limits Shown All holes to be +0/-1/32

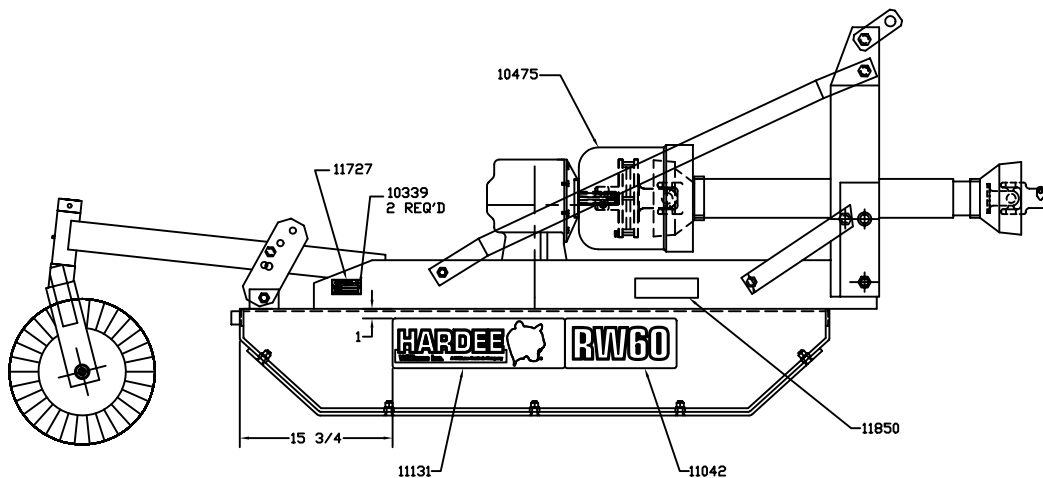
DWG. NO.

20470

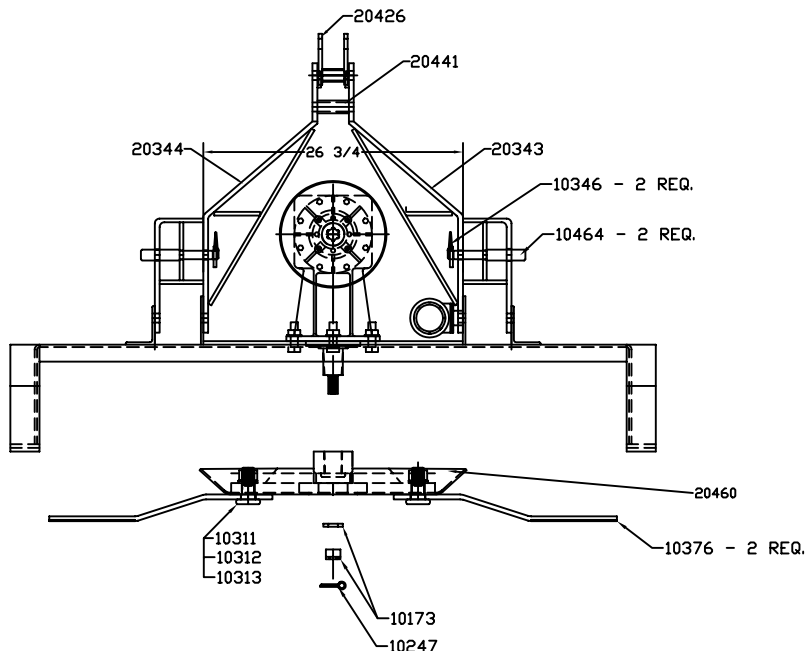
REV.

N

REV	CHANGE	BY	DATE	ECN
J	Added Manual Holder	JOC	7/21/04	0980
K	Changed From 20353	JOC	7/21/04	1023
L	Driveshaft Was 11567	R.T.N.	4/01/05	1058
M	B.O.M CHANGES	B.C	6/28/07	1161
N	CORRECTED PART 20005 TO 25040	M.T.B	2/3/2010	1364



R.H. SIDE VIEW



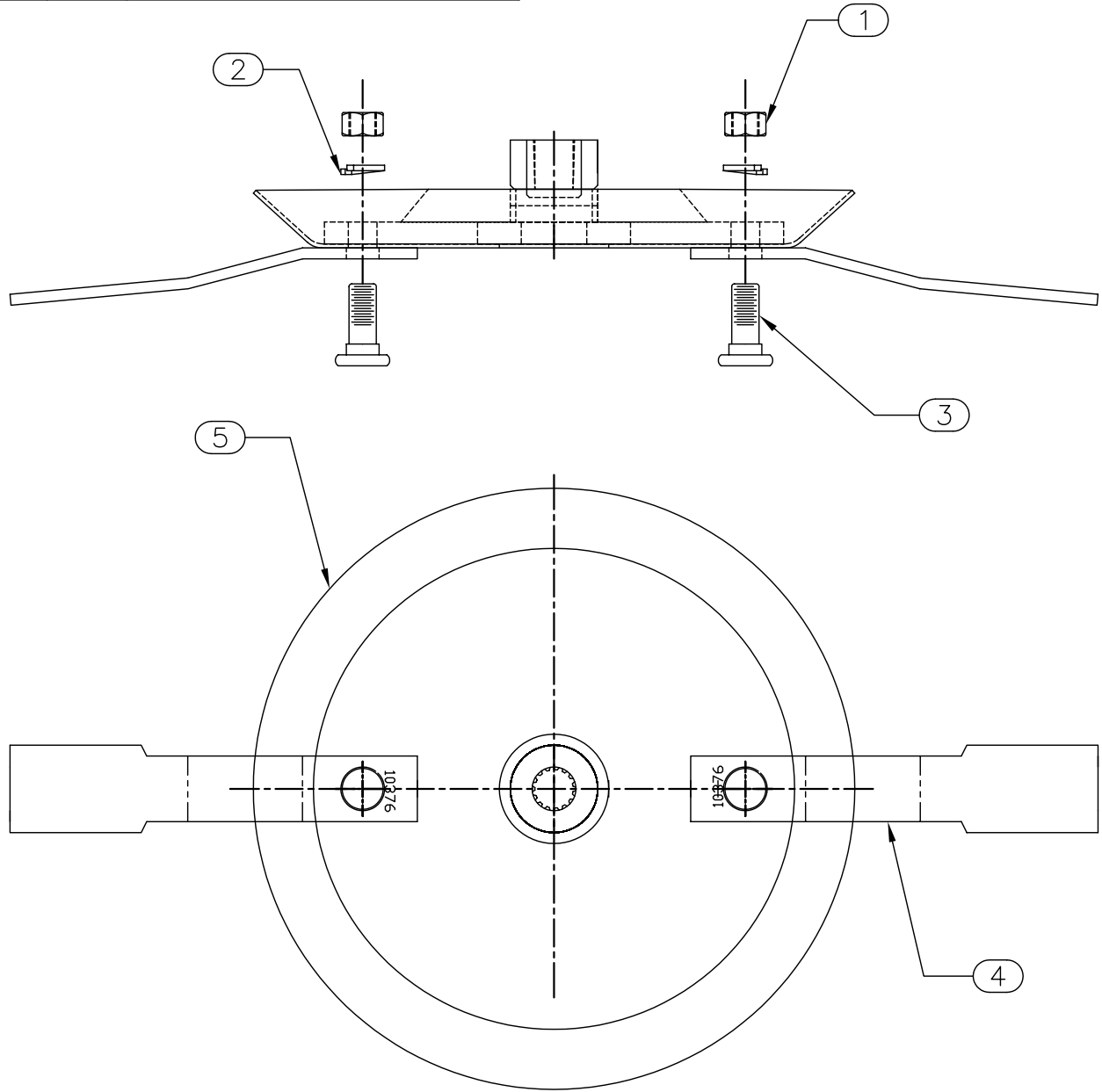
DRAWN BY	M.J.T.	4/5/99	EVH MANUFACTURING CO LORIS S.C.	
CHECKED BY				
MATERIAL	R.M.N.		APPLICATION	OLD PART #
MANUFACTURED BY: EVH MANUFACTURING CO			RW60	----
			DESCRIPTION ASSEMBLY DRAWING FOR RW60	
DO NOT SCALE	A	DWG. NO.	20470	
	DWG SIZE	SHT 2 OF 2		

All Dimensions in Inches Unless Otherwise Specified
Dimensions in [] are in Millimeters

Tolerances Unless Otherwise Specified
Fractional Dimensions $\pm 1/16"$ Angular Dimensions $\pm 1^\circ$
Decimal Dim. to Limits Shown All holes to be $+0$
 $-1/32$

ITEM NO.	PART NUMBER	QTY REQD.	NOMENCLATURE OR DESCRIPTION
1	10311	2	1 1/4" NUT FOR BLADE BOLT
2	10312	2	1 1/4" LOCK WASHER FOR BLADE BOLT
3	10313	2	BLADE BOLT
4	10376	2	BLADE
5	20460	1	BLADE HOLDER WELDMENT

DWG. NO. 20303			REV. IR	
REV	CHANGE	BY	DATE	ECN
IR	INITIAL RELEASE	T.R.M.	1/19/01	---



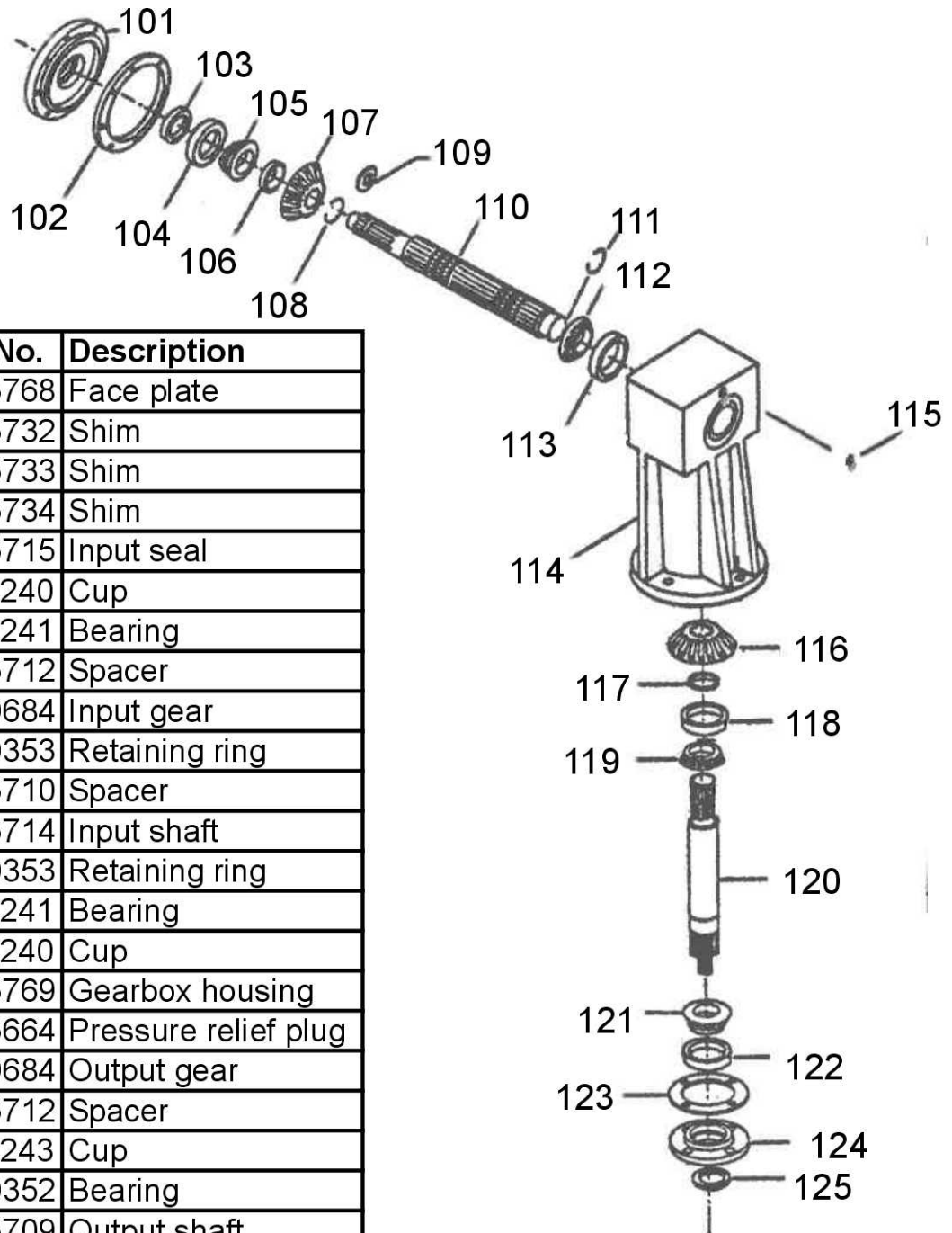
All Dimensions in Inches Unless Otherwise Specified
Dimensions in [] are in Millimeters

Tolerances Unless Otherwise Specified
Fractional Dimensions $\pm 1/16"$ Angular Dimensions $\pm 1^\circ$
Decimal Dim. to Limits Shown All holes to be $^{+0}_{-1/32}$

DRAWN BY	T.R.M.	1/19/01	HARDEE EVH MFG. CO. LORIS S.C.	
CHECKED BY				
MATERIAL	R.M.N.		APPLICATION	OLD PART #
MANUFACTURED BY: HARDEE MFG. CO., LLC			RW60	----
			DESCRIPTION BLADE HOLDER WITH BLADES	
DO NOT SCALE	A	DWG. NO.	20303	
	DWG SIZE			

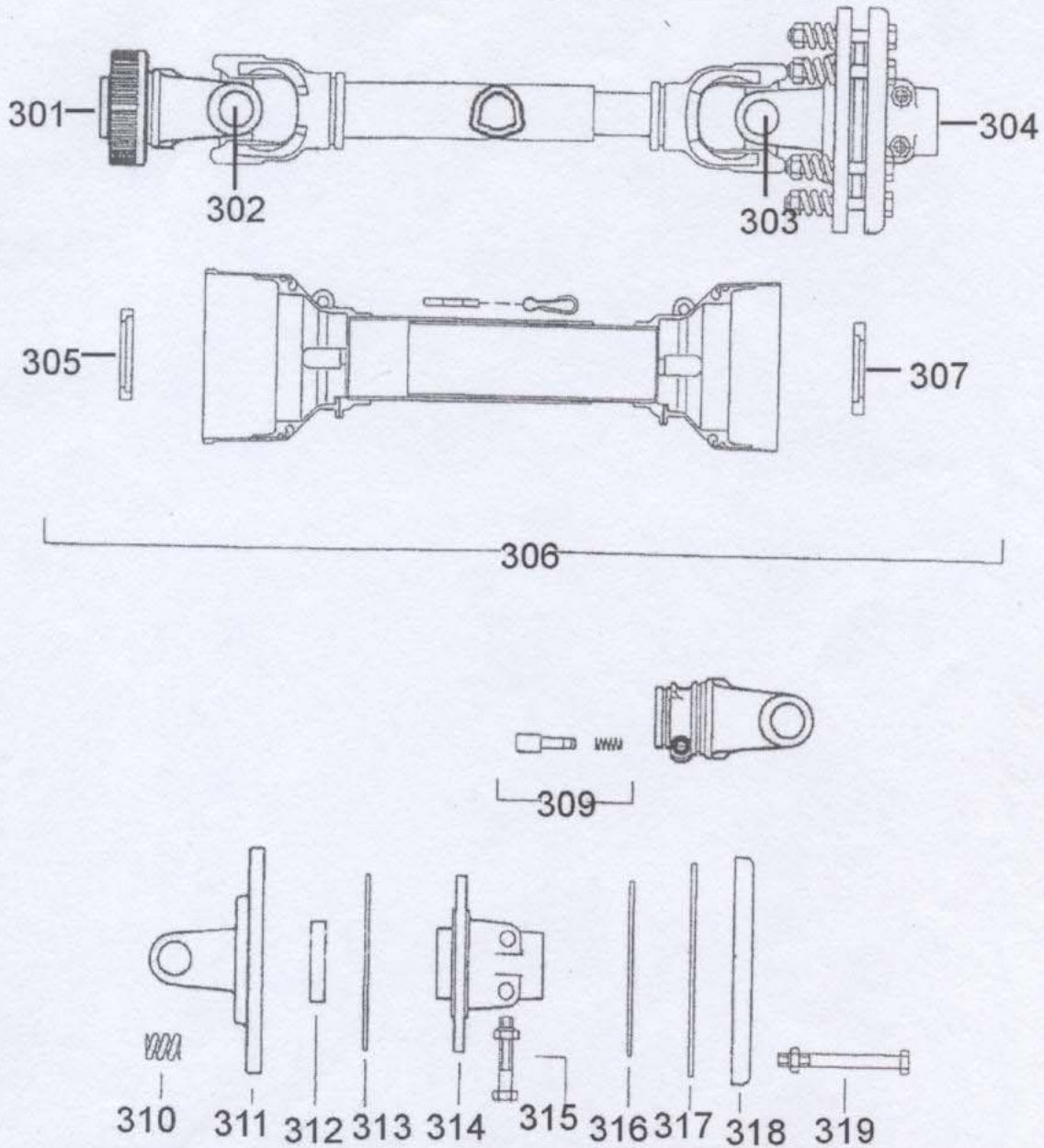
10345 Gearbox

(125H.P. Gearbox 1: 1 Ratio)



Key #	Part No.	Description
101	15768	Face plate
102	15732	Shim
	15733	Shim
	15734	Shim
103	15715	Input seal
104	11240	Cup
105	11241	Bearing
106	15712	Spacer
107	10684	Input gear
108	10353	Retaining ring
109	15710	Spacer
110	15714	Input shaft
111	10353	Retaining ring
112	11241	Bearing
113	11240	Cup
114	15769	Gearbox housing
115	15664	Pressure relief plug
116	10684	Output gear
117	15712	Spacer
118	11243	Cup
119	10352	Bearing
120	15709	Output shaft
121	10352	Bearing
122	11242	Cup
123	15706	Bottom cover
124	15705	Shim
125	10354	Output seal

10378 Driveshaft



Key #	Part No.	Description	Key #	Part No.	Description
301	15571	Yoke, Tractor end	311	98165	Flange yoke
302	15572	Cross kit	312	15562	Bushing
303	15572	Cross kit	313	11204	Clutch facing
304	15596	Clutch, complete	314	15597	Center hub
305	15565	Shield bearing	315	15803	Clutch bolt
306	15628	Shield kit complete	316	11204	Clutch facing
307	15566	Shield bearing	317	15563	Inner plate
308	N/A	Twist collar kit	318	15799	Pressure plate
309	15574	Push pin complete	319	15584	Clutch bolt
310	15561	Spring			