

ITEM NO.	PART NUMBER	QTY REQD.	NOMENCLATURE OR DESCRIPTION
1	20031	1	ACCESS COVER
2	20035	1	FLOATING LINKAGE WELDMENT
3	24215	1	FLOATING LINKAGE SPACER
4	20194	1	A-FRAME SUPPORT SPACER
5	20488	2	A-FRAME WELDMENT
6	20491	2	FLAT STRUT
7	20497	2	T/W FORK & ARM ASSEMBLY
8	20300	1	BLADE HOLDER COMPLETE
9	20247	2	BOLT-ON SLIDE
10	10894	4	24" TIE STRAP
11	20861	1	FRONT RUBBER BELTING
12	20166	1	FRONT RUBBER SHIELD FLAT
13	20818	1	REAR RUBBER BELTING
14	20819	1	REAR RUBBER SHIELD FLAT
15	10330	2	4"x8"x15" SOILD TIRE & RIM
16	20195	2	T/W HUB COMPLETE W/BEARING
17	11727	1	SERIAL NUMBER PLATE
18	10339	2	RIVETS FOR SERIAL # PLATE
19	10327	1	90 HP OMNI GEARBOX
20	10475	1	GEARBOX SHIELD W/ACCESS COVER
21	11567	1	BINACCHI DRIVESHAFT
22	11069	2	MODEL NUMBER DECAL
23	11131	2	HWI LOGO DECAL
24	11001	1	DANGER DECAL
25	11002	2	DANGER KEEP CLEAR DECAL
26	11003	1	CAUTION DECAL
27	11004	1	CAUTION DECAL
28	11005	1	WARNING DECAL
29	11006	1	SAFETY DECAL
30	10307	2	CAT. 1 HITCH PIN
31	10112	4	HEX BOLT (3/4" x 2 1/2")
32	10110	2	HEX BOLT (3/4" x 1 1/2")
33	10118	1	HEX BOLT (3/4" x 5 1/2")
34	10098	1	HEX BOLT (5/8" x 5")
35	10097	4	HEX BOLT (5/8" x 4 1/2")
36	10102	2	HEX BOLT (5/8" x 7")
37	10032	4	HEX BOLT (3/8" x 1 1/2")
38	10016	4	HEX BOLT (5/16" x 3/4")
39	10260	6	PLOW BOLT (1/2" x 1 1/2")
40	10185	7	LOCK WASHER (5/8" PLATED)
41	10166	7	LOCK NUT (5/8" PLATED)

DWG. NO.			REV.	
20390			G	
REV	CHANGE	BY	DATE	ECN
IR	INITIAL RELEASE	R.N.	2/7/96	---
A	ADD DECALS AND PLACEMENT	M.J.T.	3/3/99	0573
B	CHANGE DRIVESHAFT	M.J.T.	4/8/99	0593
C	ACCESS COVER REPLACEMENT	T.O.B.	11/5/99	0697
D	ADD PART NUMBER	T.R.M.	12/3/99	0688
E	B.O.M. CHANGES	T.R.M.	6/1/00	0792
F	ADD COMPLETE ASSEMBLY PARTS	T. NAIL	9/14/00	---
G	B.O.M. AND QTY UPDATE	J.L.	1/16/09	1234

ITEM NO.	PART NUMBER	QTY REQD.	NOMENCLATURE OR DESCRIPTION
42	10168	11	LOCK NUT (3/4" PLATED)
43	10186	7	LOCK WASHER (3/4" PLATED)
44	10175	9	LOCK NUT (3/8" PLATED)
45	10202	18	FLAT WASHER (3/8" PLATED)
46	10176	6	LOCK NUT (1/2" PLATED)
47	10201	4	FLAT WASHER (5/16" PLATED)
48	10181	5	LOCK WASHER (5/16" PLATED)
49	10173	1	NUT/WASHER (1 1/4")
50	10243	1	COTTER PIN (5/32" x 2")
51	20324	1	1072-W DECK WELDMENT
52	10154	1	5/16" LOCK NUT
53	10335	.50	PAINT,RED FAST DRY
54	10336	.19	GEAR OIL
55	10646	.13	GREASE
56	10002	2	HEX BOLT (1/4" x 1")
57	10200	2	FLAT WASHER (1/4")
58	15854	1	MANUAL HOLDER
59	15860	2	U-NUT (1/4")
60	15852	2	RED REFLECTOR
61	15853	2	YELLOW REFLECTOR
62	10029	5	HEX BOLT (3/8" X 1-1/4")

All Dimensions in Inches Unless Otherwise Specified
Dimensions in [] are in Millimeters

Tolerances Unless Otherwise Specified
Fractional Dimensions ±1/16" Angular Dimensions ±1'
Decimal Dim. to Limits Shown All holes to be ⁺⁰/_{-1/32}

DRAWN BY	M.J.T.	3/3/99	HARDEE MFG. CO., LLC LORIS S.C.	
CHECKED BY				
MATERIAL		R.M.N. N/A	APPLICATION 1072-W	OLD PART # ---
MANUFACTURED BY: HARDEE MFG. CO., LLC			DESCRIPTION 1072-W ASSEMBLY COMPLETE	
DO NOT SCALE	A	DWG. NO. 20390	SHT 1 OF 3	

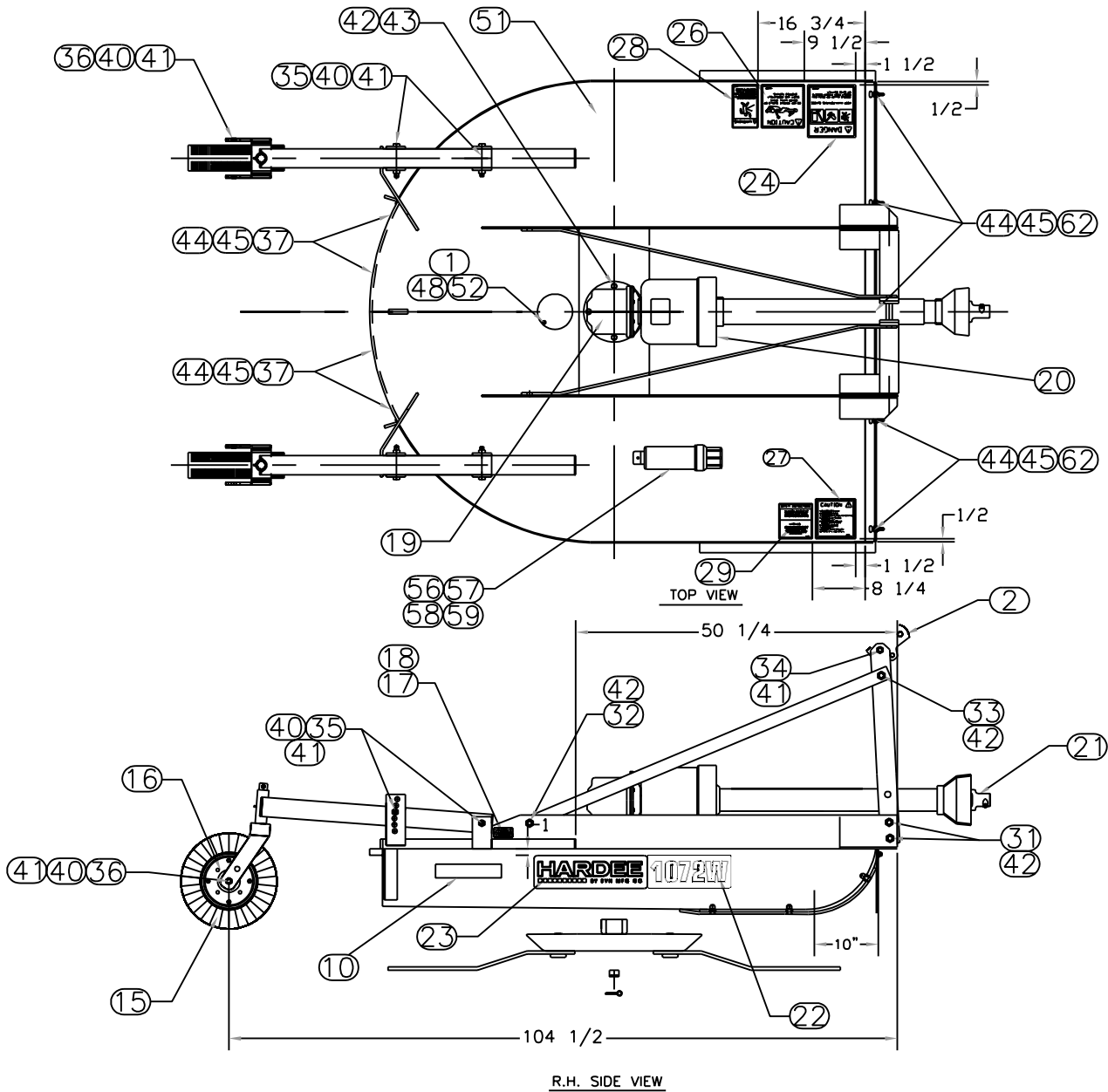
DWG. NO.

20390

REV.

G

REV	CHANGE	BY	DATE	ECN
IR	INITIAL RELEASE	R.N.	2/7/96	---
A	ADD DECALS AND PLACEMENT	M.J.T.	3/3/99	0573
B	CHANGE DRIVESHAFT	M.J.T.	4/8/99	0593
C	ACCESS COVER REPLACEMENT	T.O.B.	11/5/99	0697
D	ADD PART NUMBER	T.R.M.	12/3/99	0688
E	B.O.M. CHANGES	T.R.M.	6/1/00	0792
F	ADD COMPLETE ASSEMBLY PARTS	T. NAIL	9/14/00	---
G	B.O.M. AND QTY UPDATE	J.L.	1/16/09	1234



R.H. SIDE VIEW

DRAWN BY	M.J.T.	3/3/99
CHECKED BY		
MATERIAL	R.M.N.	N/A
MANUFACTURED BY: HARDEE MFG. CO., LLC		

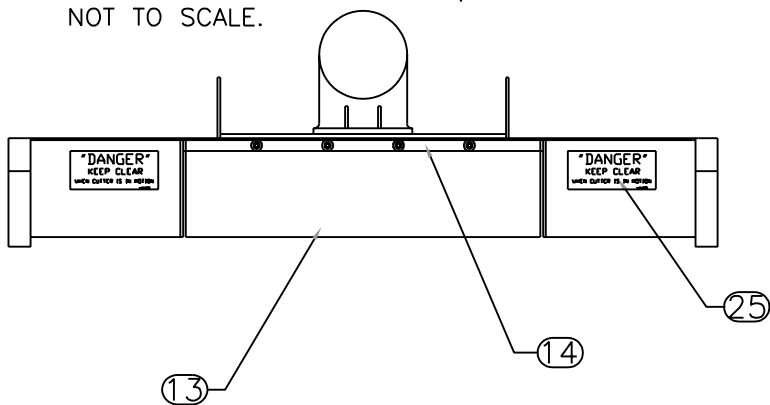
HARDEE MFG. CO., LLC LORIS S.C.	
APPLICATION 1072-W	OLD PART # ---
DESCRIPTION 1072-W ASSEMBLY COMPLETE	
DO NOT SCALE	A
DWG. NO. 20390	SHT 2 OF 3

All Dimensions in Inches Unless Otherwise Specified
Dimensions in [] are in Millimeters

Tolerances Unless Otherwise Specified
Fractional Dimensions $\pm 1/16"$ Angular Dimensions $\pm 1'$
Decimal Dim. to Limits Shown All holes to be $+0$
 $-1/32$

NOTES:

1. DRAWING FOR INFORMATION ONLY.
PARTS REMOVED FOR CLARITY, GRAPHICS NOT TO SCALE.



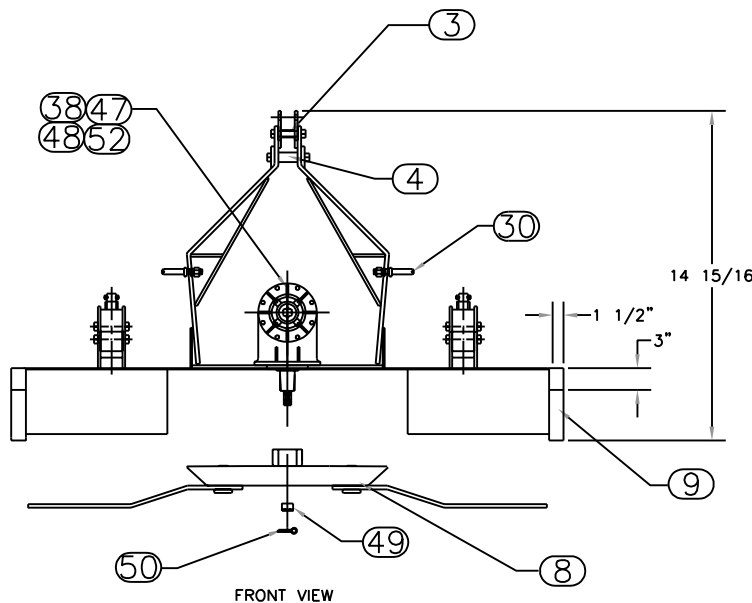
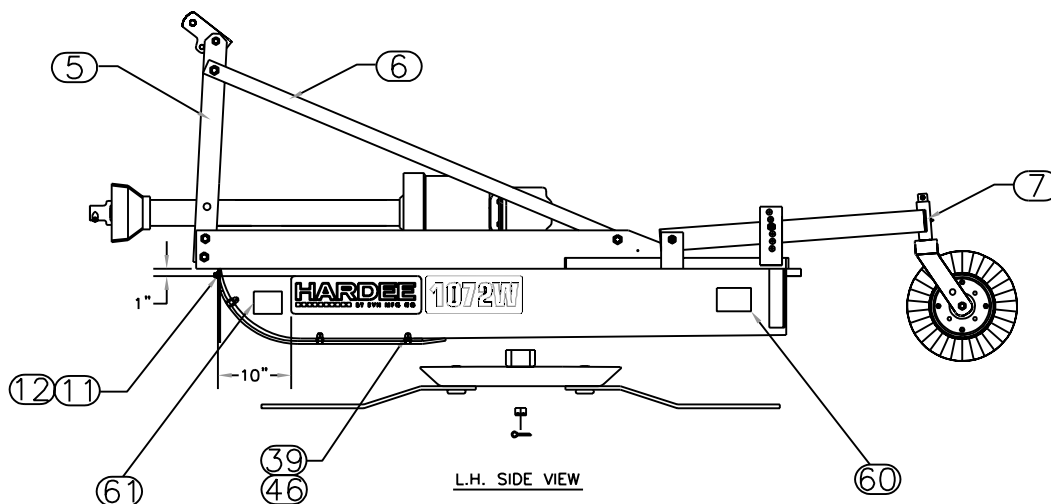
DWG. NO.

20390

REV.

G

REV	CHANGE	BY	DATE	ECN
IR	INITIAL RELEASE	R.N.	2/7/96	---
A	ADD DECALS AND PLACEMENT	M.J.T.	3/3/99	0573
B	CHANGE DRIVESHAFT	M.J.T.	4/8/99	0593
C	ACCESS COVER REPLACEMENT	T.O.B.	11/5/99	0697
D	ADD PART NUMBER	T.R.M.	12/3/99	0688
E	B.O.M. CHANGES	T.R.M.	6/1/00	0792
F	ADD COMPLETE ASSEMBLY PARTS	T. NAIL	9/14/00	---
G	B.O.M. AND QTY UPDATE	J.L.	1/16/09	1234



DRAWN BY M.J.T. 3/3/99

CHECKED BY

MATERIAL R.M.N. N/A

MANUFACTURED BY: HARDEE MFG. CO., LLC

HARDEE MFG. CO., LLC
LORIS S.C.

APPLICATION 1072-W OLD PART # ---

DESCRIPTION 1072-W ASSEMBLY COMPLETE

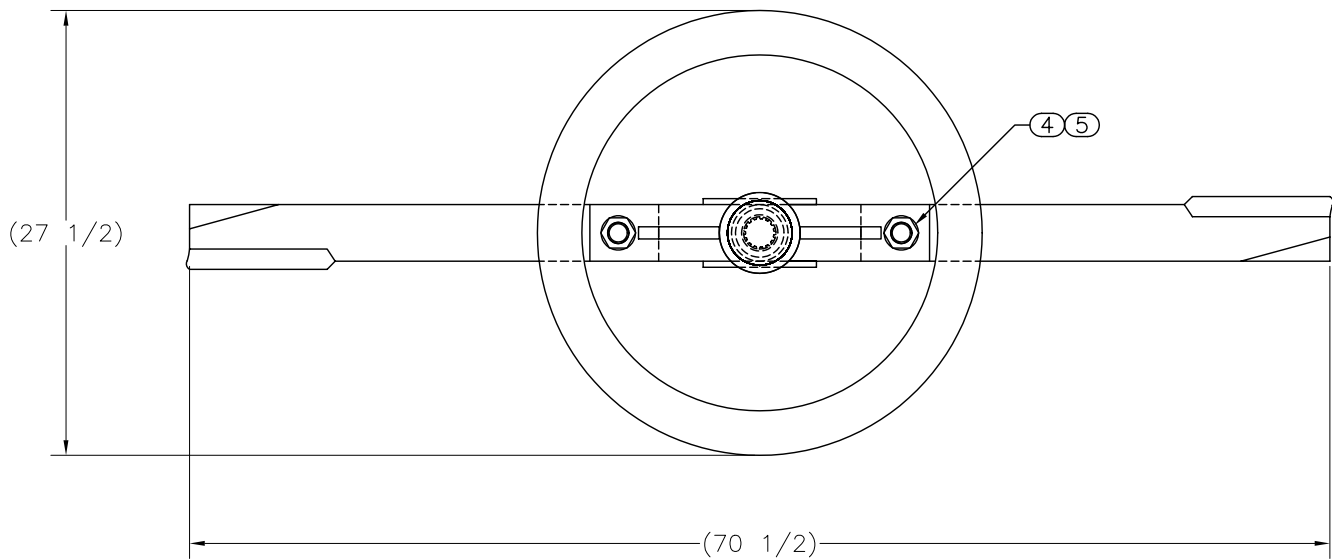
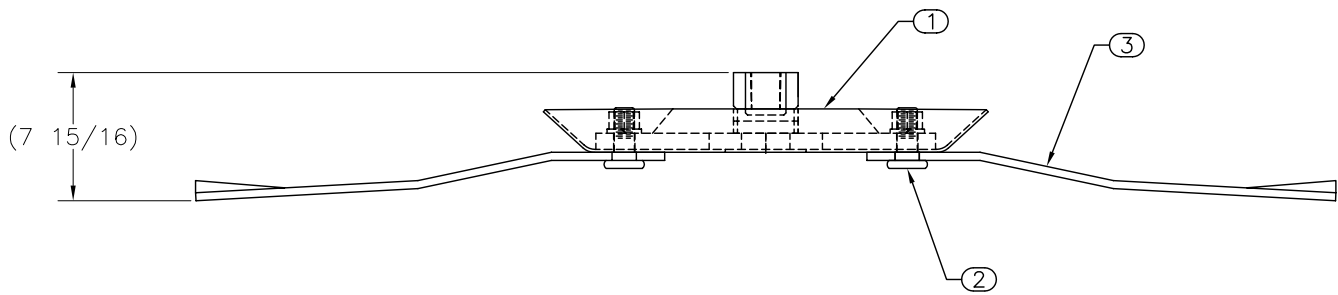
DO NOT SCALE A DWG. NO. 20390
DWG SIZE SHT 3 OF 3

All Dimensions in Inches Unless Otherwise Specified
Dimensions in [] are in Millimeters

Tolerances Unless Otherwise Specified
Fractional Dimensions $\pm 1/16"$ Angular Dimensions $\pm 1'$
Decimal Dim. to Limits Shown All holes to be $+0$
 $-1/32$

ITEM NO.	PART NUMBER	QTY REQD.	NOMENCLATURE OR DESCRIPTION
1	20236	1	BLADE HOLDER WELDMENT
2	10313	2	BLADE BOLT GR.8
3	10421	2	UP LIFT BLADE
4	10311	2	BLADE BOLT NUT GR.8
5	10312	2	BLADE BOLT LOCKWASHER GR.8

DWG. NO.			REV.	
20300			IR	
REV	CHANGE	BY	DATE	ECN
IR	INITIAL RELEASE	M.J.T	11/30/98	----



DRAWN BY	M.J.T	6/10/98
CHECKED BY		
MATERIAL	R.M.N.	

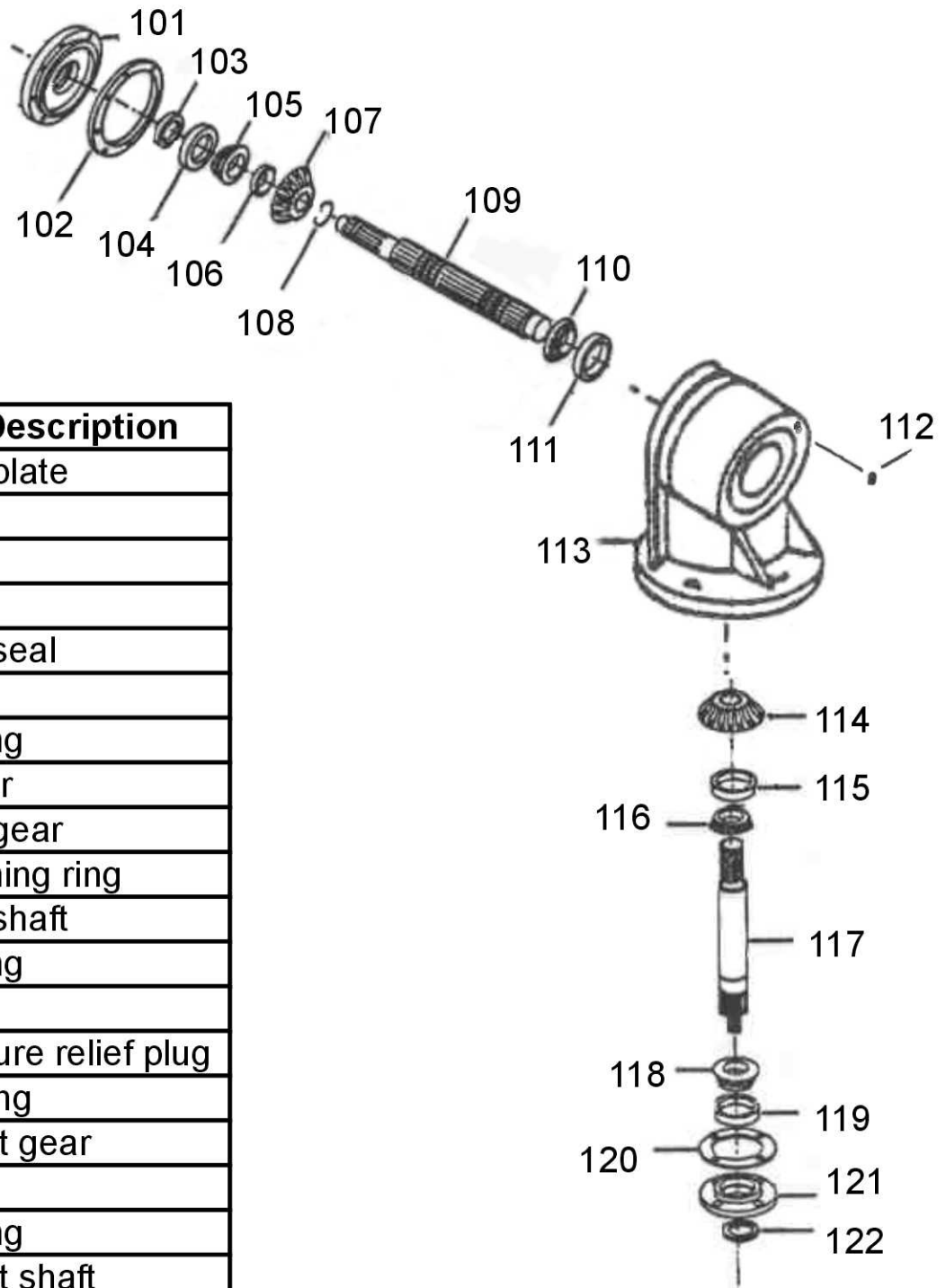
HARDEE BY EVH MFG LORIS S.C.	
APPLICATION	OLD PART #
DESCRIPTION BLADE HOLDER SUBASSEMBLY	
DO NOT SCALE	DWG. NO. 20300
A	DWG. SIZE

All Dimensions in Inches Unless Otherwise Specified
Dimensions in [] are in Millimeters

Tolerances Unless Otherwise Specified
Fractional Dimensions $\pm 1/16"$ Angular Dimensions $\pm 1^\circ$
Decimal Dim. to Limits Shown All holes to be $\begin{matrix} +0 \\ -1/32 \end{matrix}$

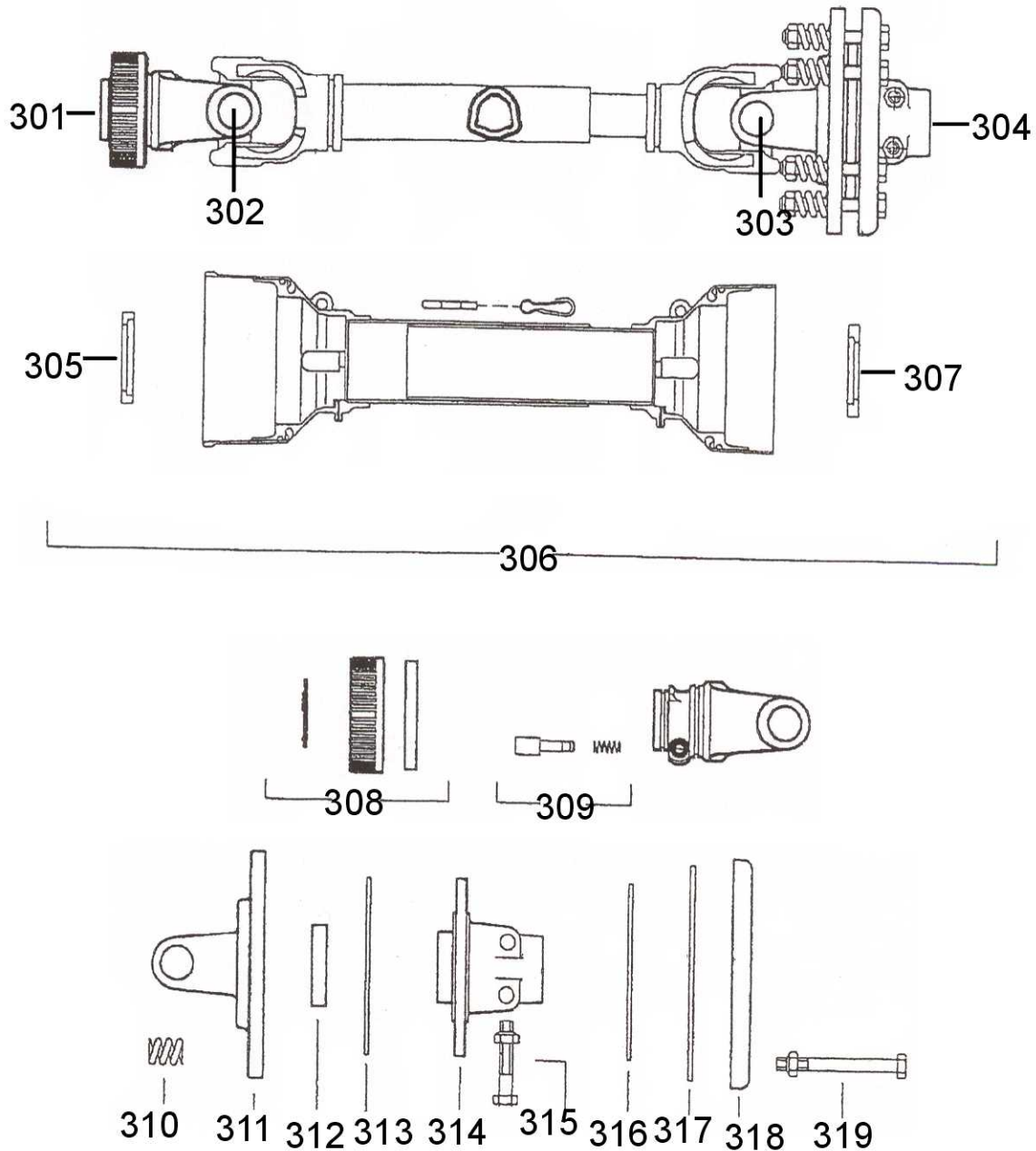
10327 Gearbox

(90H.P. Gearbox 1: 1.47 Ratio)



Key #	Part No.	Part Description
101	15768	Face plate
102	15732	Shim
	15733	Shim
	15734	Shim
103	15715	Input seal
104	11240	Cup
105	11241	Bearing
106	15606	Spacer
107	10683	Input gear
108	10353	Retaining ring
109	15602	Input shaft
110	11241	Bearing
111	11240	Cup
112	15664	Pressure relief plug
113	11516	Housing
114	10682	Output gear
115	11243	Cup
116	10352	Bearing
117	15600	Output shaft
118	10352	Bearing
119	11242	Cup
120	15706	Shim
121	15705	Bottom cover
122	10354	Output seal

11567 Driveshaft



Key #	Part No.	Description	Key #	Part No.	Description
301	11440	Yoke, Tractor end	311	15806	Flange yoke
302	15559	Cross kit	312	15562	Bushing
303	15559	Cross kit	313	11204	Clutch facing
304	11444	Clutch, complete	314	15802	Center hub
305	15800	Shield bearing	315	15803	Clutch bolt
306	11749	Shield kit complete	316	11204	Clutch facing
307	15801	Shield bearing	317	15563	Inner plate
308	15786	Twist collar kit	318	15799	Pressure plate
309	15579	Push pin complete	319	15794	Clutch bolt
310	15561	Spring			