

ITEM NO.	PART NUMBER	QTY REQD.	NOMENCLATURE OR DESCRIPTION
1	40253	1	FRAME WELDMENT
2	40309	1	RIGHT SIDE "A" FRAME
3	40354	1	LEFT SIDE "A" FRAME
4	40166	1	HITCH PIPE
5	40163	2	SCARIFIER LOCK
6	40167	2	"A" FRAME BRACE
7	40207	2	LOCKING PIN
8	10433	2	84" CUTTING EDGE
9	10485	7	ADJUSTABLE SCARIFIER
10	10346	6	THREE POINT SNAP PIN
11	10464	2	CATEGORY 1 & 2 HITCH PIN
12	10232	4	COTTER PIN (3/32" X 3/4")
13	10116	1	HEX BOLT (3/4" X 4 1/2")
14	10111	6	HEX BOLT (3/4" X 2")
15	10168	7	LOCK NUT (3/4" PLATED)
16	10264	18	PLOW BOLT (5/8" X 2")
17	10166	18	LOCK NUT (5/8" PLATED)
18	11131	2	H/W LOGO DECAL (5" X 16")
19	11010	1	H/W LOGO DECAL (4" X 12")
20	11130	1	MODEL # DECAL (2" X 5")
21	11727	1	SERIAL NUMBER PLATE
22	10339	2	RIVET FOR SERIAL # PLATE
23	10335	.5GAL.	RED PAINT
24	40179	1	SCARIFIER LOCK WELDMENT
25	11636	1	SAFETY DECAL SHEET
26	11850	1	WEB DECAL
27	15852	2	RED REFLECTOR DECAL

DWG. NO.			REV.	
40147			E	
REV	CHANGE	BY	DATE	ECN
IR	INITIAL RELEASE	M.J.T	2/2/96	---
A	1/2 LOWER SQ. TUBE	M.J.T	1/11/99	0543
B	ADD SAFETY,MODEL&LOGO DECALS	M.J.T	8/3/99	0654
C	NEW TWO HOLE A-FRAME DESIGN	T.O.B.	3/7/00	0754
D	LENGTHEN HITCH BAR	T.O.B.	4/25/00	0789
E	CHANGE SERIAL # PLATE	T.R.M.	6/9/00	0792

ADD THIS REVISION AT NEXT DRAWING CHANGE

See ECR Change #0980 for Details
Add Qty. (1) Each 15852, 15853

All Dimensions in Inches Unless Otherwise Specified
Dimensions in [] are in Millimeters

Tolerances Unless Otherwise Specified
Fractional Dimensions ±1/16" Angular Dimensions ±1°
Decimal Dim. to Limits Shown All holes to be ⁺⁰/_{-1/32}

DRAWN BY	M.J.T	1/11/99	HARDEE BY EVH MFG. CO. LORIS S.C.	
CHECKED BY			APPLICATION	OLD PART #
MATERIAL	R.M.N.		ASH84	----
MANUFACTURED BY: HARDEE MFG. CO., LLC			DESCRIPTION ASH84 BOX SCRAPER ASSEMBLY	
DO NOT SCALE	A	DWG. NO.	40147	
DWG SIZE		SHT. 1 OF 4		

DWG. NO.

40147

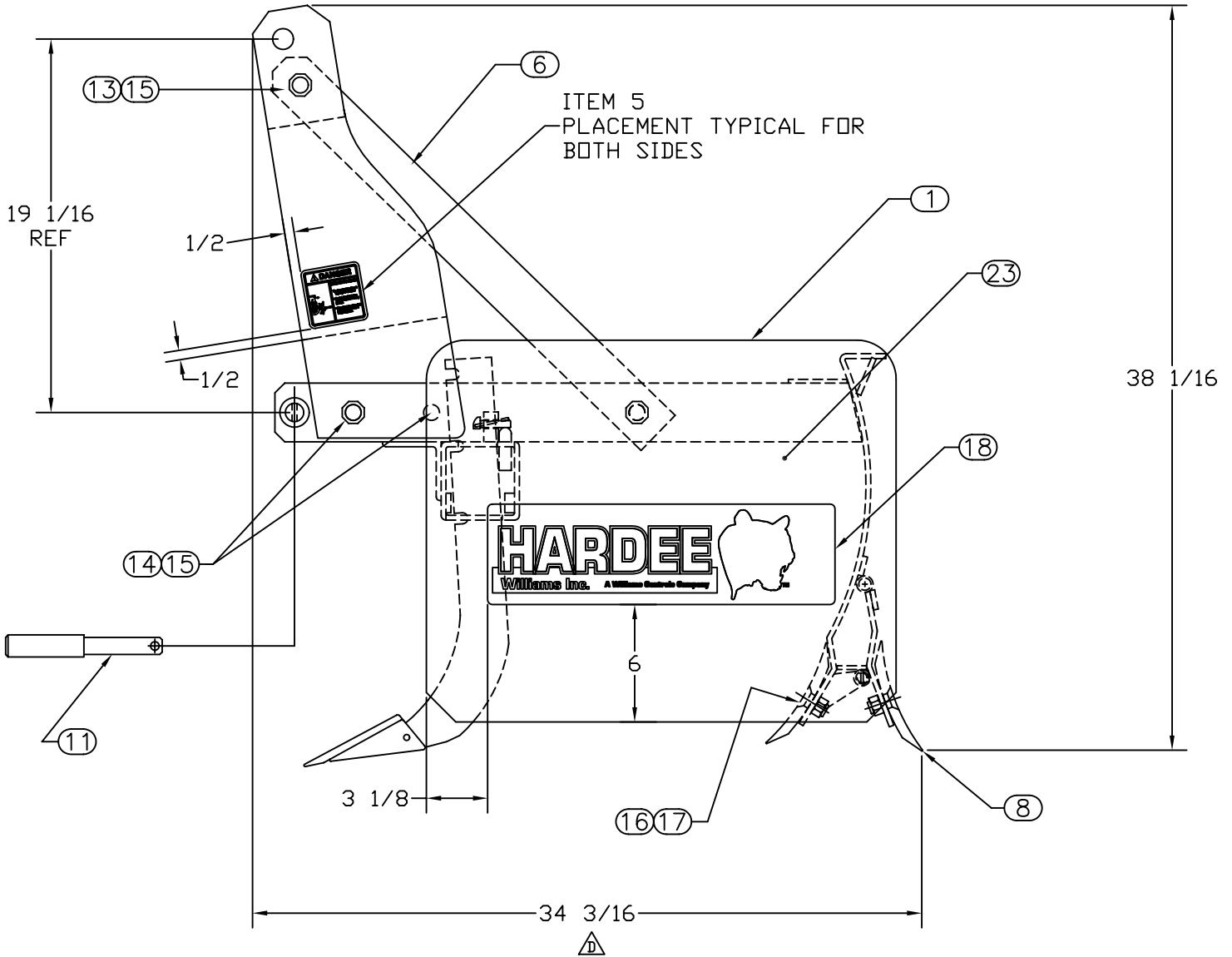
REV.

E

ADD THIS REVISION AT NEXT
DRAWING CHANGE

See ECR Change #0980 for Details
Add Qty. (1) Each 15852, 15853

REV	CHANGE	BY	DATE	ECN
IR	INITIAL RELEASE	JDS	2/2/96	---
A	1/2 LOWER SQ. TUBE	M.J.T.	1/11/99	0543
B	ADD SAFETY,MODEL&LOGO DECALS	M.J.T.	8/3/99	0654
C	NEW TWO HOLE A-FRAME DESIGN	T.O.B.	3/7/00	0754
D	LENGTHEN HITCH BAR	T.O.B.	4/25/00	0789
E	CHANGE SERIAL # PLATE	T.R.M.	6/9/00	0792



DRAWN BY	M.J.T.	1/11/99
CHECKED BY		

**HARDEE BY
EVH MFG. CO.
LORIS S.C.**

MATERIAL R.M.N.

APPLICATION	OLD PART #
ASH84	----
DESCRIPTION ASH84 BOX SCRAPER ASSEMBLY	

All Dimensions in Inches Unless Otherwise Specified
Dimensions in [] are in Millimeters

Tolerances Unless Otherwise Specified
Fractional Dimensions $\pm 1/16"$ Angular Dimensions $\pm 1^\circ$
Decimal Dim. to Limits Shown All holes to be $\begin{matrix} +0 \\ -1/32 \end{matrix}$

DO NOT SCALE	A	DWG. NO.
DWG SIZE	SHT 2 OF 4	40147

DWG. NO.

40147

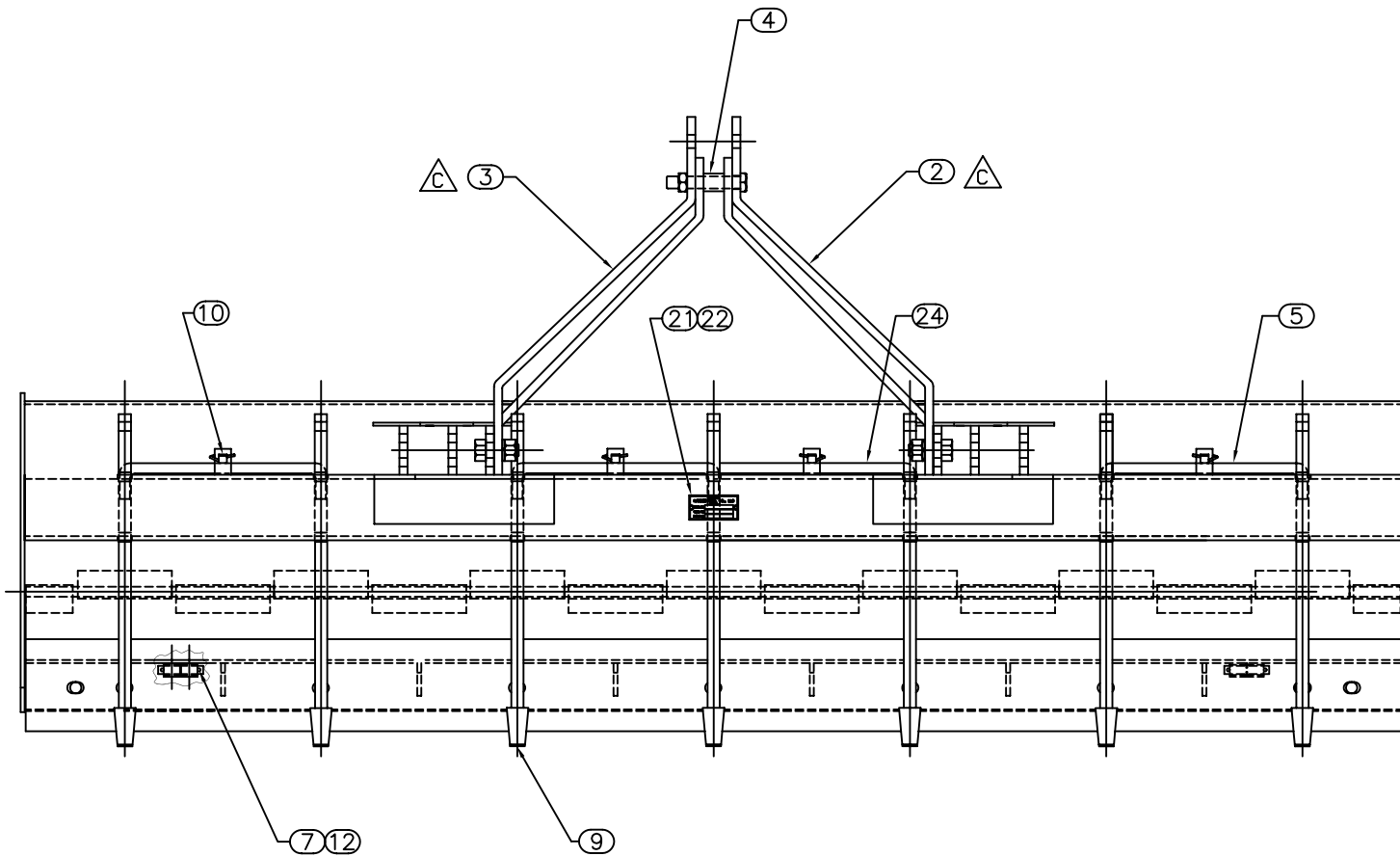
REV.

E

ADD THIS REVISION AT NEXT
DRAWING CHANGE

See ECR Change #0980 for Details
Add Qty. (1) Each 15852, 15853

REV	CHANGE	BY	DATE	ECN
IR	INITIAL RELEASE	JDS	2/2/96	---
A	1/2 LOWER SQ. TUBE	M.J.T.	1/11/99	0543
B	ADD SAFETY,MODEL&LOGO DECALS	M.J.T.	8/3/99	0654
C	NEW TWO HOLE A-FRAME DESIGN	T.O.B.	3/7/00	0754
D	LENGTHEN HITCH BAR	T.O.B.	4/25/00	0789
E	CHANGE SERIAL # PLATE	T.R.M.	6/9/00	0792



DRAWN BY	M.J.T.	1/11/99
CHECKED BY		

**HARDEE BY
EVH MFG. CO.
LORIS S.C.**

MATERIAL R.M.N.

APPLICATION	OLD PART #
ASH84	----
DESCRIPTION ASH84 BOX SCRAPER ASSEMBLY	

All Dimensions in Inches Unless Otherwise Specified
Dimensions in [] are in Millimeters

Tolerances Unless Otherwise Specified
Fractional Dimensions $\pm 1/16"$ Angular Dimensions $\pm 1^\circ$
Decimal Dim. to Limits Shown All holes to be $^{+0}_{-1/32}$

DO NOT SCALE	A	DWG. NO.
		SHT 3 OF 4 40147

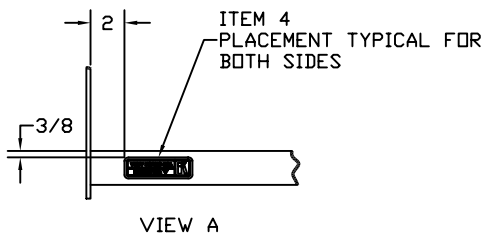
DWG. NO.

40147

REV.

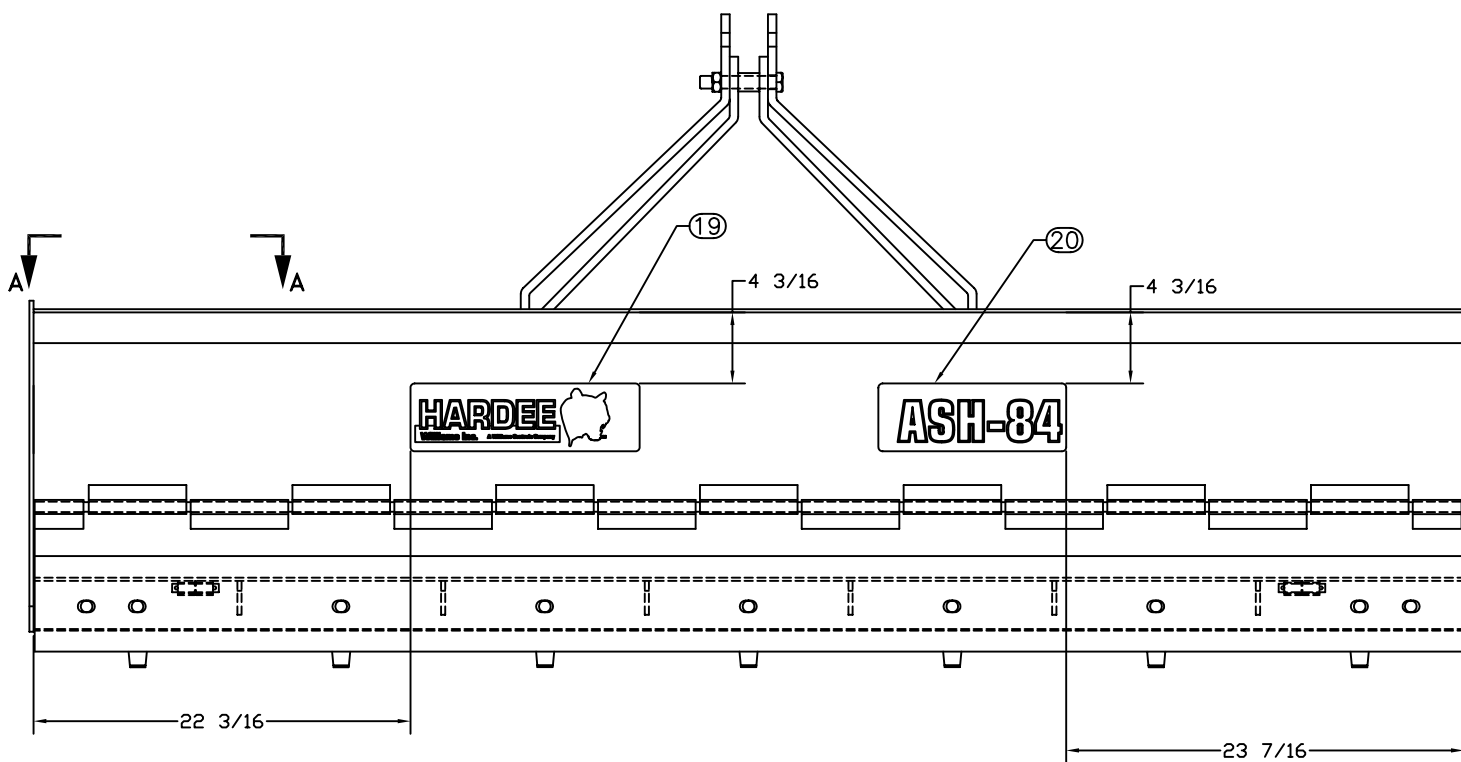
E

REV	CHANGE	BY	DATE	ECN
IR	INITIAL RELEASE	JDS	2/2/96	---
A	1/2 LOWER SQ. TUBE	M.J.T.	1/11/99	0543
B	ADD SAFETY,MODEL&LOGO DECALS	M.J.T.	8/3/99	0654
C	NEW TWO HOLE A-FRAME DESIGN	T.O.B.	3/7/00	0754
D	LENGTHEN HITCH BAR	T.O.B.	4/25/00	0789
E	CHANGE SERIAL # PLATE	T.R.M.	6/9/00	0792



ADD THIS REVISION AT NEXT DRAWING CHANGE

See ECR Change #0980 for Details
Add Qty. (1) Each 15852, 15853



All Dimensions in Inches Unless Otherwise Specified
Dimensions in [] are in Millimeters

Tolerances Unless Otherwise Specified
Fractional Dimensions $\pm 1/16"$ Angular Dimensions $\pm 1^\circ$
Decimal Dim. to Limits Shown All holes to be $+0 / -1/32$

DRAWN BY	M.J.T.	1/11/99
CHECKED BY		

MATERIAL R.M.N.

MANUFACTURED BY:
HARDEE MFG. CO., LLC

HARDEE BY
EVH MFG. CO.
LORIS S.C.

APPLICATION	OLD PART #
ASH84	----
DESCRIPTION ASH84 BOX SCRAPER DECAL PLACEMENT SHEET	
DO NOT SCALE	A
DWG. NO.	SHT 4 OF 4 40147