

ITEM NO.	PART NUMBER	QTY REQD.	NOMENCLATURE OR DESCRIPTION
1	10102	1	5/8" X 7" HEX BOLT
2	10154	1	5/16" LOCK NUT
3	10166	11	5/8" LOCK NUT
4	24215	1	FLOATING LINKAGE SPACER
5	10184	4	1/2" LOCKWASHER
6	10185	9	5/8" LOCKWASHER
7	10307	2	CAT 1 HITCH PIN
8	10330	1	SOLID TIRE & RIM
9	10335	.75	RED PAINT
10	10339	2	RIVETS FOR SERIAL # PLATE
11	10893	2	18" TIE STRAP (NOT SHOWN)
12	11000	2	C-148-LT DECAL
13	11001	1	DANGER DECAL
14	11002	2	DANGER KEEP CLEAR DECAL
15	11003	1	CAUTION DECAL
16	11004	1	CAUTION DECAL
17	11005	1	WARNING DECAL
18	11006	1	SAFETY DECAL
19	11010	2	HARDEE LOGO DECAL
20	11132	1	4" TIE STRAP (NOT SHOWN)
21	10096	3	5/8" X 4" HEX BOLT
22	11727	1	SERIAL # PLATE
23	11728	1	4 ON 5 HUB W/GRAFOIL BUSHINGS
24	20031	1	ACCESS COVER
25	20036	1	SPINDLE SHAFT TUBE
26	20135	2	48" RUBBER SHIELDING

DWG. NO.			REV.	
20042			K	
REV	CHANGE	BY	DATE	ECN
G	ADD TAILWHEEL TIRE & RIM	T.R.M.	5/30/00	0793
H	CHANGE TO MATCH B.O.M.	T.R.M.	7/17/00	0790
I	ADD DWG #70006 ITEMS	R.T.N.	10/04/00	0826
J	CORRECT PART # AND QTY	T.R.M.	5/14/02	0923
K	DELETE BENEFIT/FEATURE TAG	T.R.M.	8/13/02	0930

ITEM NO.	PART NUMBER	QTY REQD.	NOMENCLATURE OR DESCRIPTION
27	10097	1	5/8" X 4-1/2" HEX BOLT
28	10098	2	5/8" X 5" HEX BOLT
29	10173	1	CASTLE NUT (1") SPECIAL
30	10111	2	3/4" X 2" HEX BOLT
31	10168	2	3/4" LOCKNUT
32	10243	1	5/32" X 2" COTTER PIN
33	10303	1	GEARBOX COMPLETE
34	10336	.19	GEAR OIL
35	20019	1	DECK WELDMENT
36	20030	2	TAILWHEEL ADJUSTING BRACKET
37	20032	1	SPACER FOR T/W ADJUSTING BRACKET
38	20033	1	A-FRAME SUPPORT BRACE
39	20035	1	FLOATING LINKAGE WELDMENT
40	20547	2	A-FRAME BRACE
41	20059	1	A-FRAME SUPPORT SPACER
42	20183	1	T/W FORK & ARM COMPLETE
43	20293	1	BLADE HOLDER W/BLADES COMPLETE
44	11850	1	WEBSITE DECAL
45	15852	2	RED DEFLECTOR
46	15854	1	MANUAL HOLDER
47	15860	2	U-NUT (1/4")
48	10002	2	HEX BOLT (1/4" X 1")
49	10200	2	FLAT WASHER (1/4")

All Dimensions in Inches Unless Otherwise Specified  
Dimensions in [ ] are in Millimeters

Tolerances Unless Otherwise Specified  
Fractional Dimensions ±1/16" Angular Dimensions ±1"  
Decimal Dim. to Limits Shown All holes to be  $\begin{matrix} +0 \\ -1/32 \end{matrix}$

DRAWN BY	M.J.T	3/11/99	<b>EVH MANUFACTURING CO LORIS S.C.</b>	
CHECKED BY				
MATERIAL	R.M.N.		APPLICATION 148	OLD PART # ----
MANUFACTURED BY: EVH MANUFACTURING CO			DESCRIPTION 148 COMPLETE ASSEMBLY	
DO NOT SCALE	A DWG SIZE	DWG. NO. SHT 1 OF 3	20042	

DWG. NO.

20042

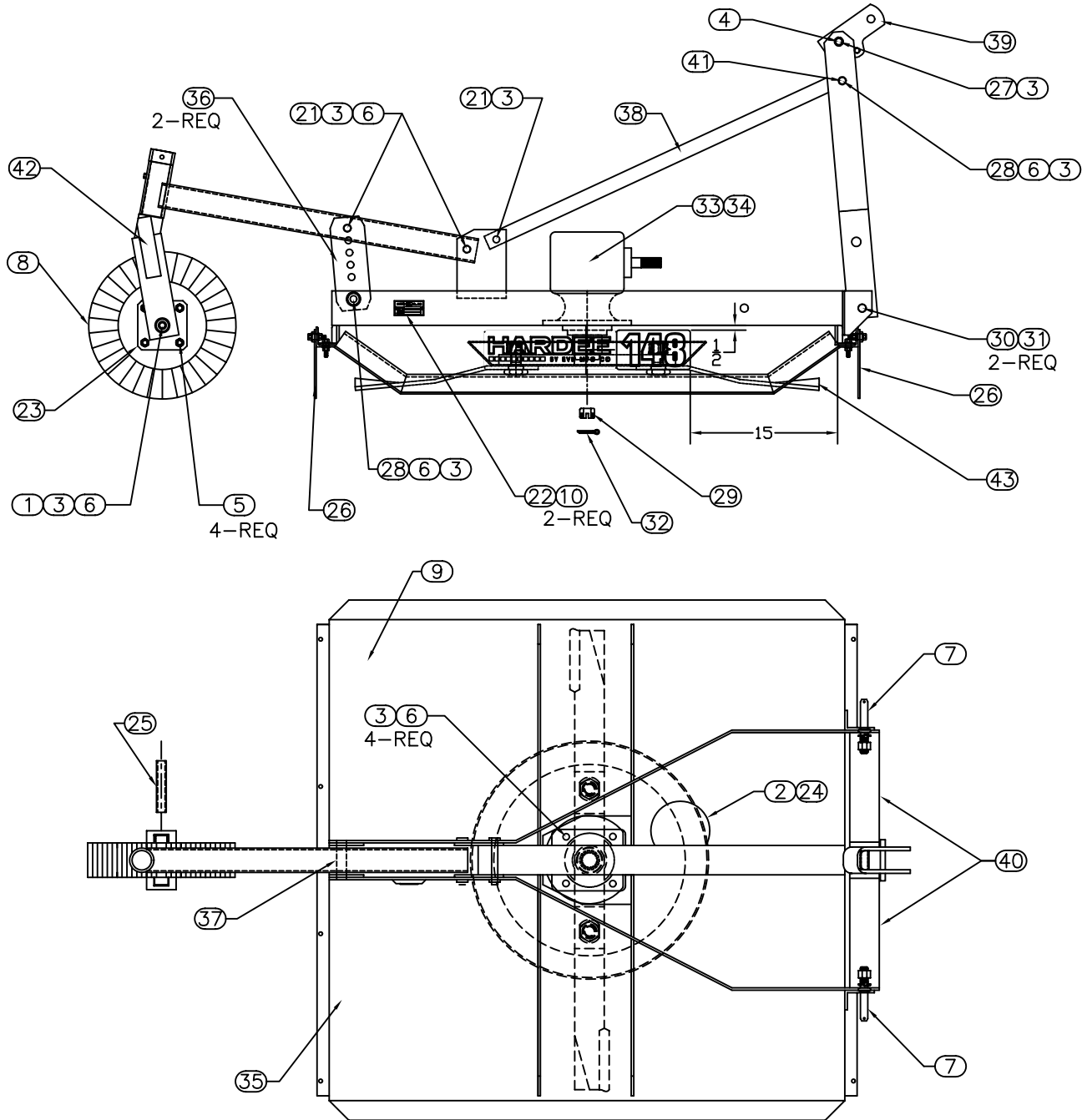
REV.

K

ADD THIS REVISION AT NEXT  
DRAWING CHANGE

See ECR Change #0980 for Details  
Add Qty. (1) Each 15852, 15853, 15854  
Add Qty. (2) Each 10001, 15860, 10200

REV	CHANGE	BY	DATE	ECN
G	ADD TAILWHEEL TIRE & RIM	T.R.M.	5/30/00	0793
H	CHANGE TO MATCH B.O.M.	T.R.M.	7/17/00	0790
I	ADD DWG #70006 ITEMS	R.T.N.	10/04/00	0826
J	CORRECT PART # AND QTY	T.R.M.	5/14/02	0923
K	DELETE BENEFIT/FEATURE TAG	T.R.M.	8/13/02	0930



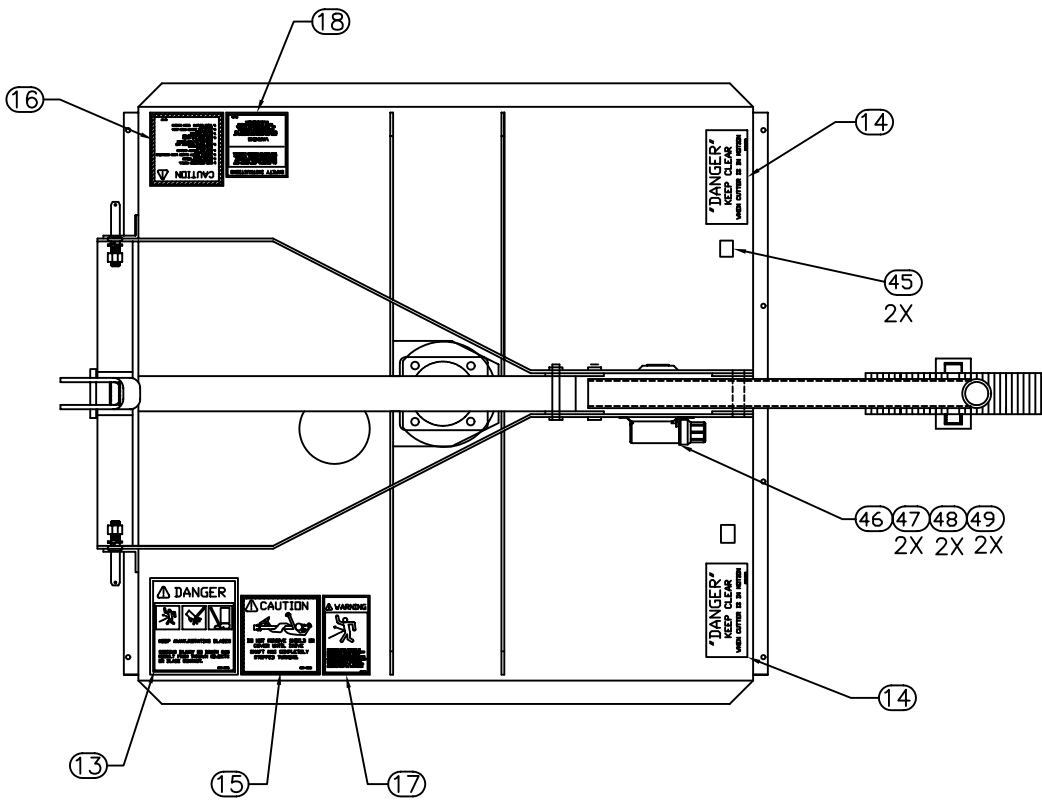
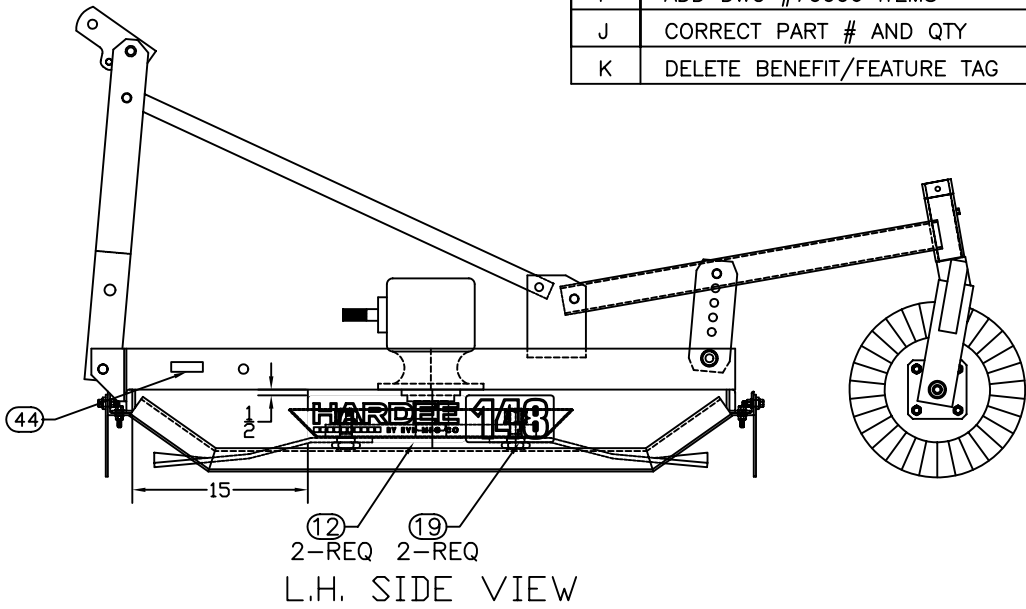
DRAWN BY	M.J.T	3/11/99
CHECKED BY		
MATERIAL	R.M.N.	
MANUFACTURED BY: EVH MANUFACTURING CO		

<b>EVH MANUFACTURING CO</b>	
LORIS S.C.	
APPLICATION 148	OLD PART # ----
DESCRIPTION 148 COMPLETE ASSEMBLY	
DO NOT SCALE	A DWG SIZE
DWG. NO. 20042	
SHT 2 OF 3	

All Dimensions in Inches Unless Otherwise Specified  
Dimensions in [ ] are in Millimeters

Tolerances Unless Otherwise Specified  
Fractional Dimensions  $\pm 1/16"$  Angular Dimensions  $\pm 1^\circ$   
Decimal Dim. to Limits Shown All holes to be  $\begin{matrix} +0 \\ -1/32 \end{matrix}$

DWG. NO.			REV.	
20042			K	
REV	CHANGE	BY	DATE	ECN
G	ADD TAILWHEEL TIRE & RIM	T.R.M.	5/30/00	0793
H	CHANGE TO MATCH B.O.M.	T.R.M.	7/17/00	0790
I	ADD DWG #70006 ITEMS	R.T.N.	10/04/00	0826
J	CORRECT PART # AND QTY	T.R.M.	5/14/02	0923
K	DELETE BENEFIT/FEATURE TAG	T.R.M.	8/13/02	0930



DRAWN BY	M.J.T	3/11/99	EVH MANUFACTURING CO LORIS S.C.	
CHECKED BY				
MATERIAL	R.M.N.		APPLICATION	OLD PART #
MANUFACTURED BY: EVH MANUFACTURING CO			148	----
			DESCRIPTION 148 COMPLETE ASSEMBLY	
DO NOT SCALE	A	DWG. NO.	20042	
	DWG SIZE	SHT 3 OF 3		

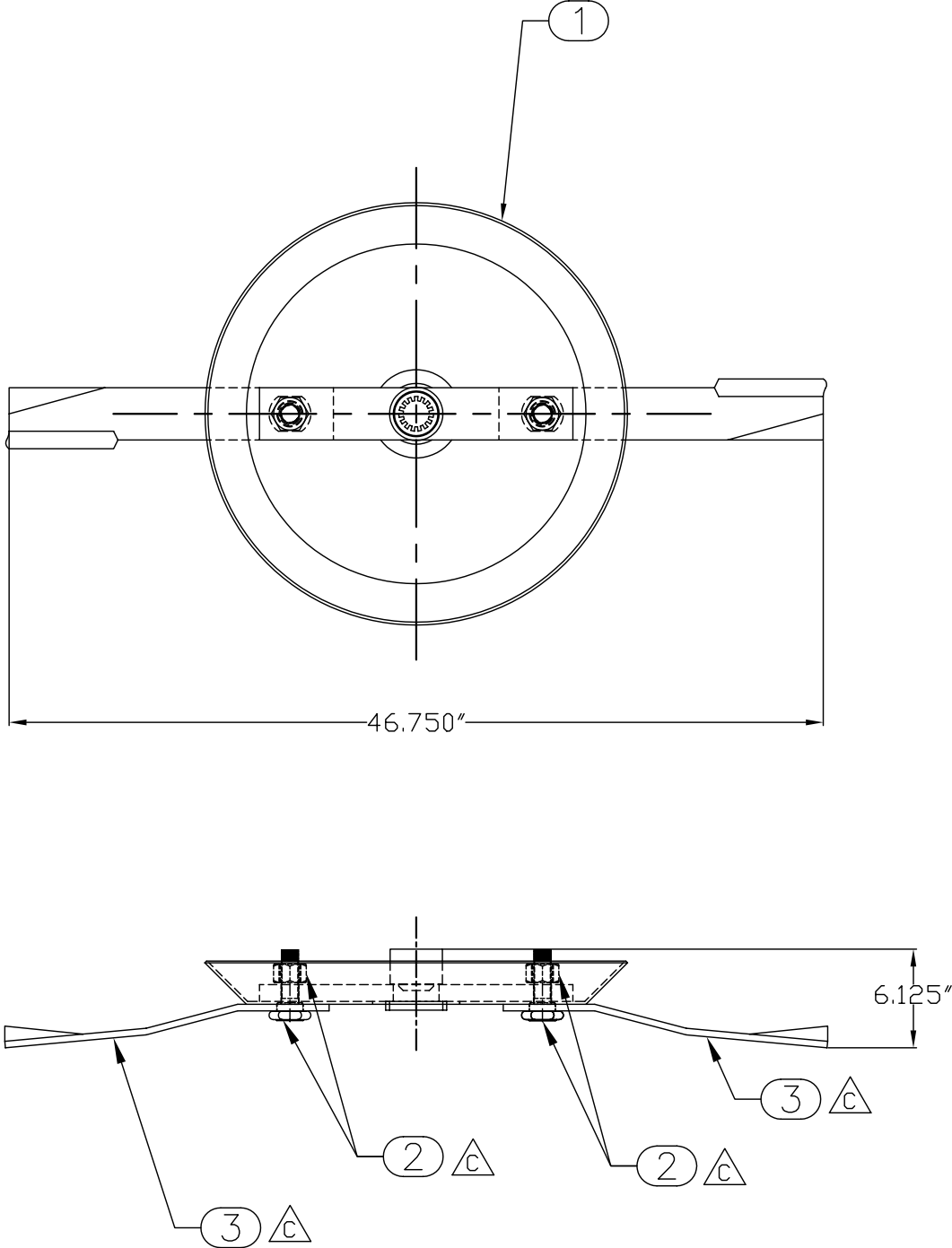
All Dimensions in Inches Unless Otherwise Specified  
 Dimensions in [ ] are in Millimeters

Tolerances Unless Otherwise Specified  
 Fractional Dimensions  $\pm 1/16"$  Angular Dimensions  $\pm 1^\circ$   
 Decimal Dim. to Limits Shown All holes to be  $\begin{matrix} +0 \\ -1/32 \end{matrix}$

ITEM NO.	PART NUMBER	QTY REQD.	NOMENCLATURE OR DESCRIPTION
1	20014	1	WELDMENT, BLADE HOLDER
2	10306	2	BLADE BOLT W/LOCKNUT
3	10304	2	BLADE

△C  
△C

DWG. NO. 20293			REV. C	
REV	CHANGE	BY	DATE	ECN
IR	INITIAL RELEASE	M.J.T	12/1/98	----
A	CHANGED REV TO MATCH BOM	---	11/17/98	0527
B	CHANGE BOLT PART #	T.R.M.	7/27/00	0790
C	REVISED B.O.M. LIST -REVISED CO. HEADER	T.A.S.	2/4/2011	1403



DRAWN BY	M.J.T	12/1/98
CHECKED BY	C.K.N.	2/4/2011

**HARDEE BY  
EVH MFG. CO.  
LORIS S.C.**

MATERIAL	R.M.N.
MANUFACTURED BY: HARDEE BY EVH MFG. CO. LORIS S.C.	

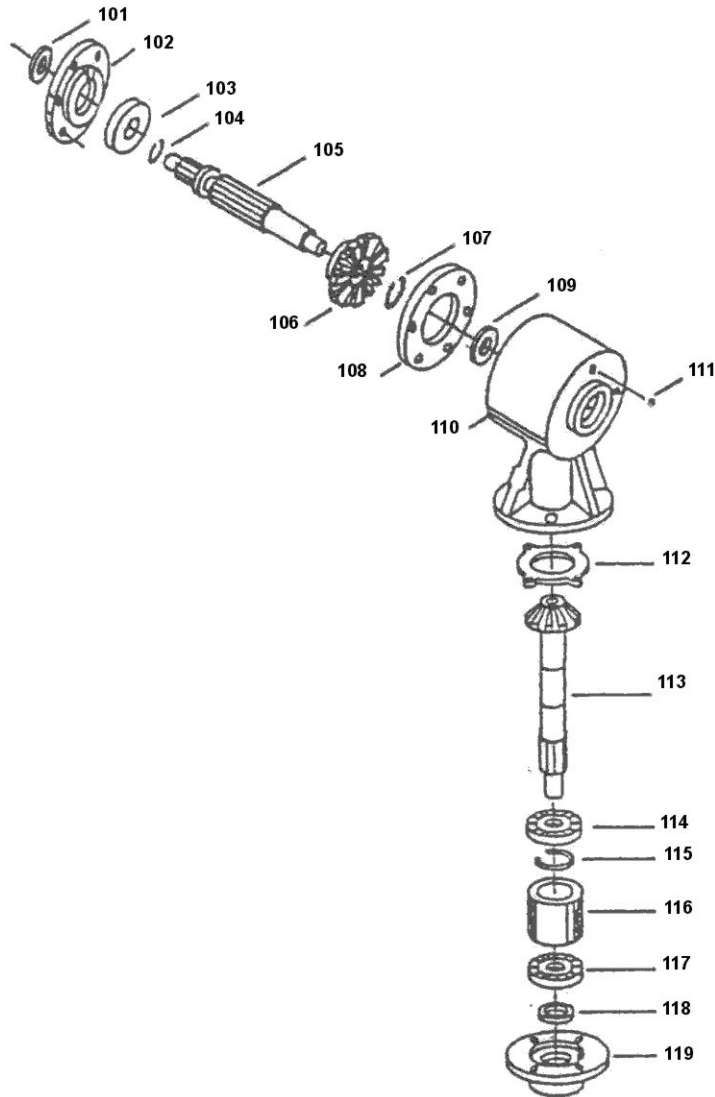
APPLICATION	OLD PART #
C-148-LT	
DESCRIPTION: BLADE HOLDER W/BLADES COMPLETE	
DO NOT SCALE	DWG. NO. 20293
A	DWG SIZE

All Dimensions in Inches Unless Otherwise Specified  
Dimensions in [ ] are in Millimeters

Tolerances Unless Otherwise Specified  
Fractional Dimensions  $\pm 1/16"$  Angular Dimensions  $\pm 1^\circ$   
Decimal Dim. to Limits Shown All holes to be  $\begin{matrix} +0 \\ -1/32 \end{matrix}$

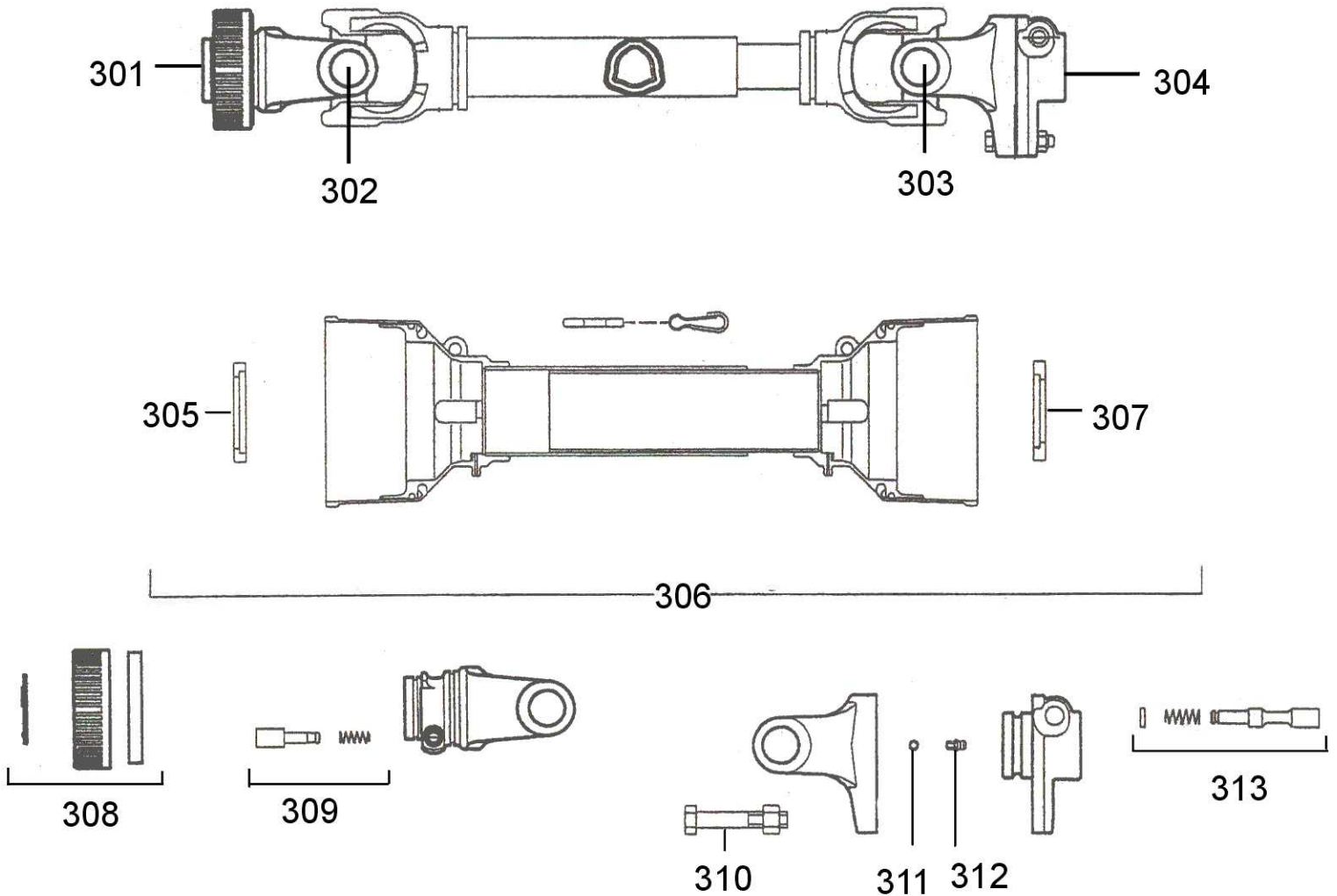
# 10303 Gearbox

(40 H.P. Gearbox 1:1.47 Ratio)



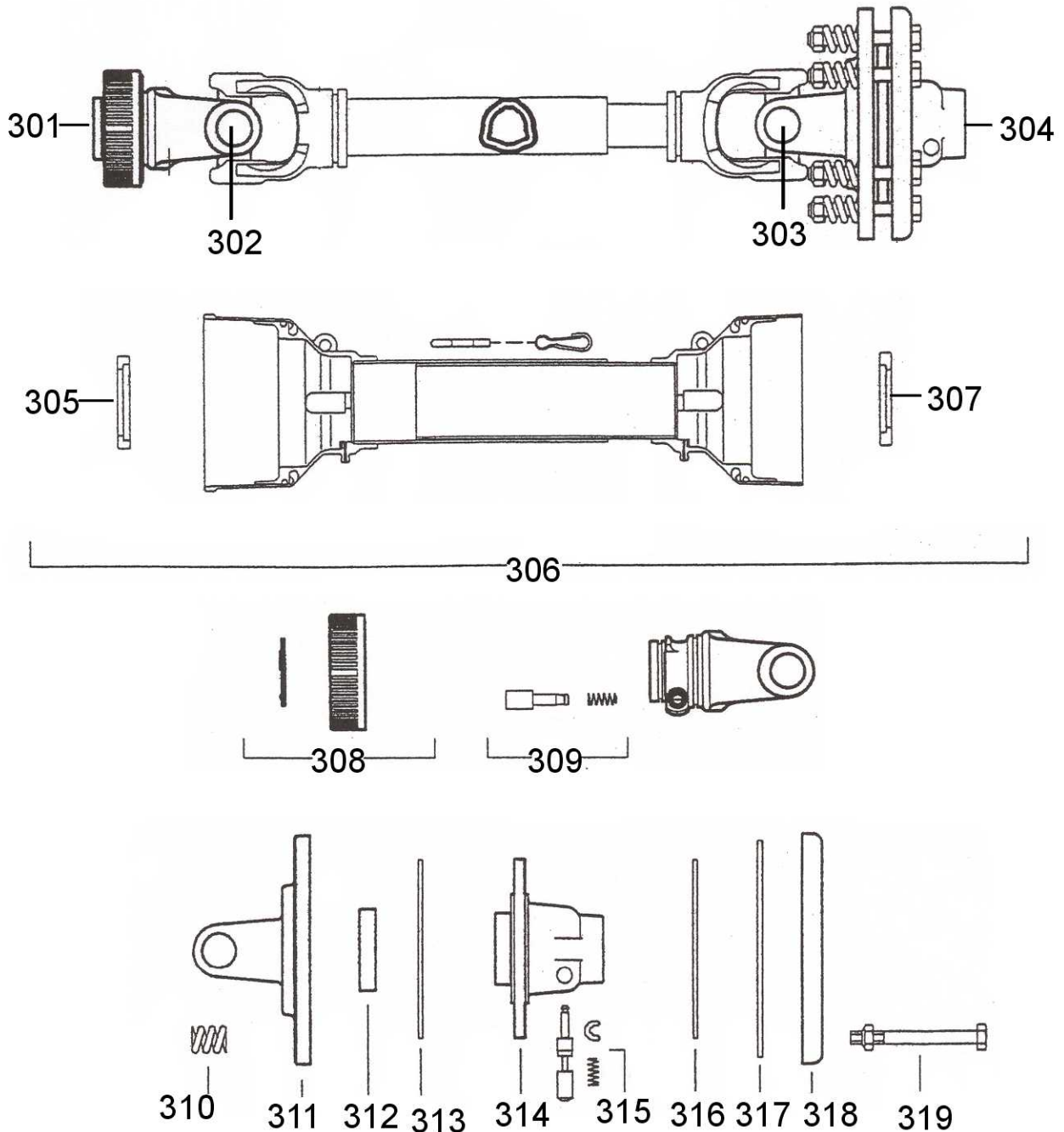
Key #	Part No.	Part Description	Key #	Part No.	Part Description
101	15688	Input seal	111	15664	Pressure relief plug
102	15689	Face plate	112	15753	Gasket
103	15750	Ball bearing	113	15754	Output shaft w/gear
104	15690	Retaining ring	114	15750	Ball bearing
105	15694	Input shaft	115	15695	Retaining ring
106	15751	Input gear	116	15696	Spacer
107	15695	Retaining ring	117	15750	Ball bearing
108	15691	Shim .004	118	15755	Output seal
109	15692	Ball bearing	119	15697	Bottom cap
110	15752	Housing			

# 11587 Driveshaft



Key #	Part No.	Description	Key #	Part No.	Description
301	11436	Yoke, Tractor end	308	15786	Twist collar kit
302	11437	Cross kit	309	15579	Push pin complete
303	11437	Cross kit	310	10972	Shear bolt
304	11439	Yoke, Shear assem. Imp. End	311	15787	Steel ball
305	11552	Shield bearing	312	15788	Grease fitting
306	11744	Shield kit complete	313	15791	Push pin complete
307	11551	Shield bearing			

# 11615 Driveshaft



Key #	Part No.	Description	Key #	Part No.	Description
301	11436	Yoke, Tractor end	311	15789	Flange yoke
302	11437	Cross kit	312	15562	Bushing
303	11437	Cross kit	313	00304	Clutch disc
304	11445	Clutch, Imp. End	314	15790	Center hub
305	11552	Shield bearing	315	15791	Push pin complete
306	11746	Shield kit complete	316	00304	Clutch disc
307	11551	Shield bearing	317	15792	Inner plate
308	15786	Twist collar kit	318	15793	Pressure plate
309	15779	Push pin complete	319	15794	Clutch bolt
310	15561	Spring			