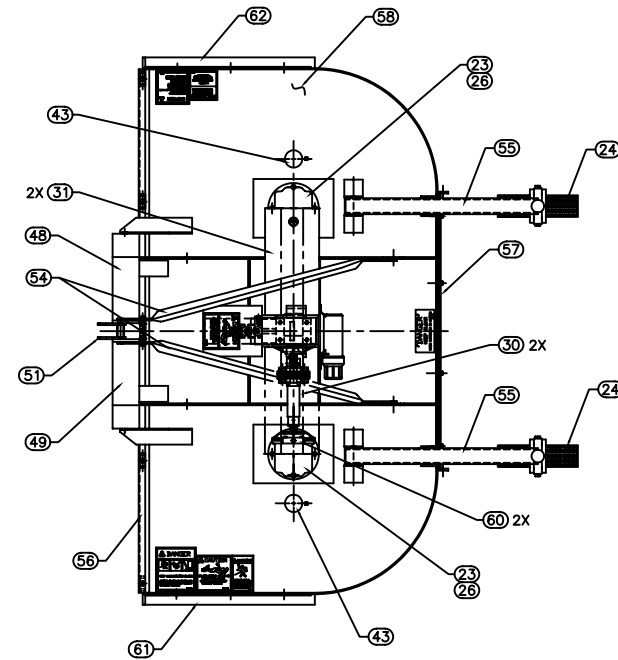


ITEM NO.	PART NUMBER	QTY REQD.	NOMENCLATURE OR DESCRIPTION
1	10021	2	HEX BOLT (5/16" X 3")
2	10072	6	HEX BOLT (1/2" X 1-1/2")
3	10091	12	HEX BOLT (5/8" X 1-1/2")
4	10097	4	HEX BOLT (5/8" X 4-1/2")
5	10102	2	HEX BOLT (5/8" X 7")
6	10111	6	HEX BOLT (3/4" X 2")
7	10112	2	HEX BOLT (3/4" X 2-1/2")
8	10118	1	HEX BOLT (3/4" X 5-1/2")
9	10119	1	HEX BOLT (3/4" X 6")
10	10161	2	HEX NUT (5/16" PLATED)
11	10166	2	LOCK NUT (5/8" PLATED)
12	10168	8	LOCK NUT (3/4" PLATED)
13	10173	2	CASTLE NUT (1") (SPECIAL)
14	10176	6	LOCK NUT (1/2" PLATED)
15	10181	2	LOCK WASHER (5/16" PLATED)
16	10184	6	LOCK WASHER (1/2" PLATED)
17	10185	20	LOCK WASHER (5/8" PLATED)
18	10186	20	LOCK WASHER (3/4" PLATED)
19	10204	6	FLAT WASHER (1/2" PLATED)
20	10212	4	FLAT WASHER (5/8")(THIN)
21	10243	2	COTTER PIN (5/32" X 2")
22	10252	2	COTTER PIN (3/16" X 2")
23	11854	2	Gear Box, RC-61
24	10330	2	15" SOLID TIRE AND RIM
25	10335	1.5	PAINT (Gal. 1) (NOT SHOWN)
26	10336	3	GEAR OIL (1 GAL.)
27	10339	2	RIVETS FOR S.N. PLATES
28	10346	2	THREE POINT SNAP PIN
29	10415	1	90 HP. GEAR BOX
30	10417	2	OUTRIGGER SHAFT
31	25051	2	L. & R. GEAR BOX SHIELD
32	10464	2	CATEGORY 1 & 2 HITCH PIN
33	11001	1	DANGER DECAL FOR CUTTERS
34	11002	3	DECAL-(DANGER KEEP CLEAR)
35	11003	4	DECAL -(CAUTION DRIVE SHAFT)
36	11004	1	DECAL-(CAUTION)

ITEM NO.	PART NUMBER	QTY REQD.	NOMENCLATURE OR DESCRIPTION
37	11005	1	DECAL-(WARNING DECAL)
38	11006	1	DECAL-(SAFETY DECAL)
39	11010	2	HARDEE LOGO DECAL
40	11034	2	SIDE MODEL # DECAL
41	11567	1	BINACCHI DRIVESHAFT (NOT SHOWN)
42	11727	1	SERIAL NUMBER PLATE
43	20031	2	ACCESS COVER
44	20195	2	CUTTER TAIL WHEEL HUB
45	20242	4	TAIL WHEEL ADJUSTING BRACKET
46	20304	1	BLADE HOLDER W/BLADES (RT)
47	20305	1	BLADE HOLDER W/BLADES (LT)
48	20343	1	LEFT SIDE A-FRAME WELDMENT
49	20344	1	RIGHT SIDE A-FRAME WELDMENT
50	20356	2	BOLT (HEAD GROUND DOWN)
51	20426	1	CAT 2 FLOATING LINKAGE WELDMENT
52	20439	2	A-FRAME BRACE
53	20441	1	SPACER (1" SCH80 PIPE X 3-1/4")
54	20514	2	STRUT
55	21011	2	TAILWHEEL ASSEMBLY
56	21015	1	RUBBER SHIELDING KIT (FRONT)
57	21022	1	RUBBER SHIELDING KIT (REAR)
58	25000	1	DECK WELDMENT
59	10205	4	FLAT WASHER (5/8" PLATED)
60	25285	2	SHIELD BRACKET WELDMENT
61	25042	1	SLIDE WELDMENT - RIGHT HAND
62	25043	1	SLIDE WELDMENT - LEFT HAND
63	25050	1	CENTER GEAR BOX SHIELD
64	11850	1	WEBSITE DECAL
65	15852	2	RED REFLECTOR
66	15853	2	YELLOW REFLECTOR
67	15854	1	MANUAL HOLDER
68	15860	2	1/4" U-NUT
69	10017	2	5/16" HEX BOLT
70	10200	2	1/4" FLAT WASHER
71	10165	6	HEX NUT (5/8") (NOT SHOWN)
72	10098	2	HEX BOLT (5/8" X 5") (NOT SHOWN)
73	10069	4	HEX BOLT (1/2" X 1-1/2") (N.S)

DWG. NO.			REV.		
25055			K		
REV	CHANGE	BY	DATE	ECN	
F	CHANGE SERIAL # PLATE	T.R.M.	6/6/00	0792	
G	UP REV LEVEL TO MATCH B.O.M.	T.R.M.	8/23/00	0803	
H	REV. DWG PER PRODUCT AUDIT	T. NAIL	4/19/01	0893	
I	REPLACE 10418 WITH 21019	T.R.M.	10/21/02	0929	
J	REPLACE 10327 WITH 11854	T. NAIL	2/04/04	0964	
K	CHANGED SHIELD WELDMENTS	T.NAIL	6/13/06	1090	

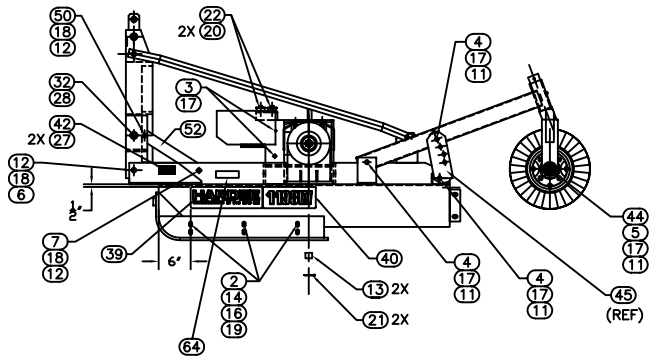
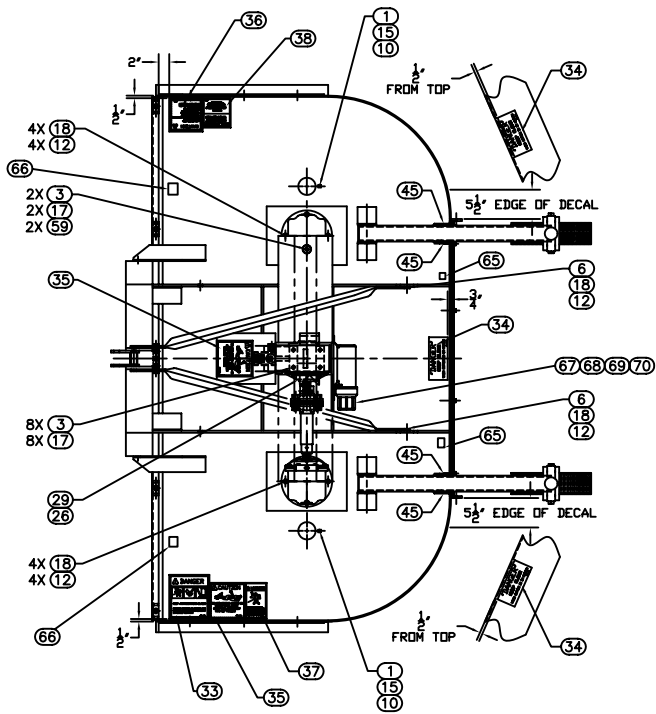


TOP VIEW

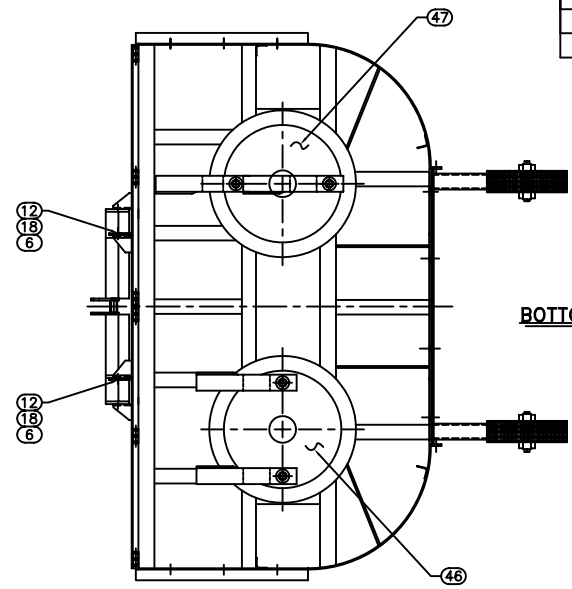
NOTES:  
1. ITEM - 41 DRIVE SHAFT INCLUDED

DRAWN BY	W.E.S.	10/23/98	<b>E.V.H. MANUFACTURING CO</b> LORIS S.C.	
CHECKED BY				
MATERIAL	R.M.N.		APPLICATION 1198W	OLD PART # ----
MANUFACTURED BY: EVH MANUFACTURING CO			DESCRIPTION 1198W ASSEMBLY	DWG. NO. 25055
DO NOT SCALE	A	DWG. NO.	SHEET 1 OF 2	

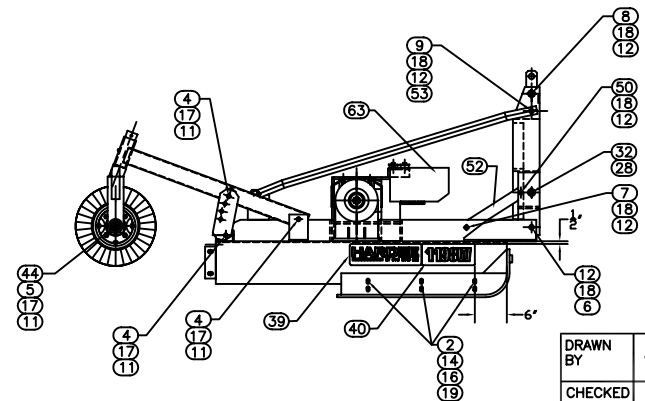
All Dimensions in Inches Unless Otherwise Specified  
 Dimensions in [ ] are in Millimeters  
 Tolerances Unless Otherwise Specified  
 Fractional Dimensions ±1/16" Angular Dimensions ±1°  
 Decimal Dim. to Limits Shown All holes to be +0/-1/32



**LEFT SIDE VIEW**



**BOTTOM VIEW**



**RIGHT SIDE VIEW**

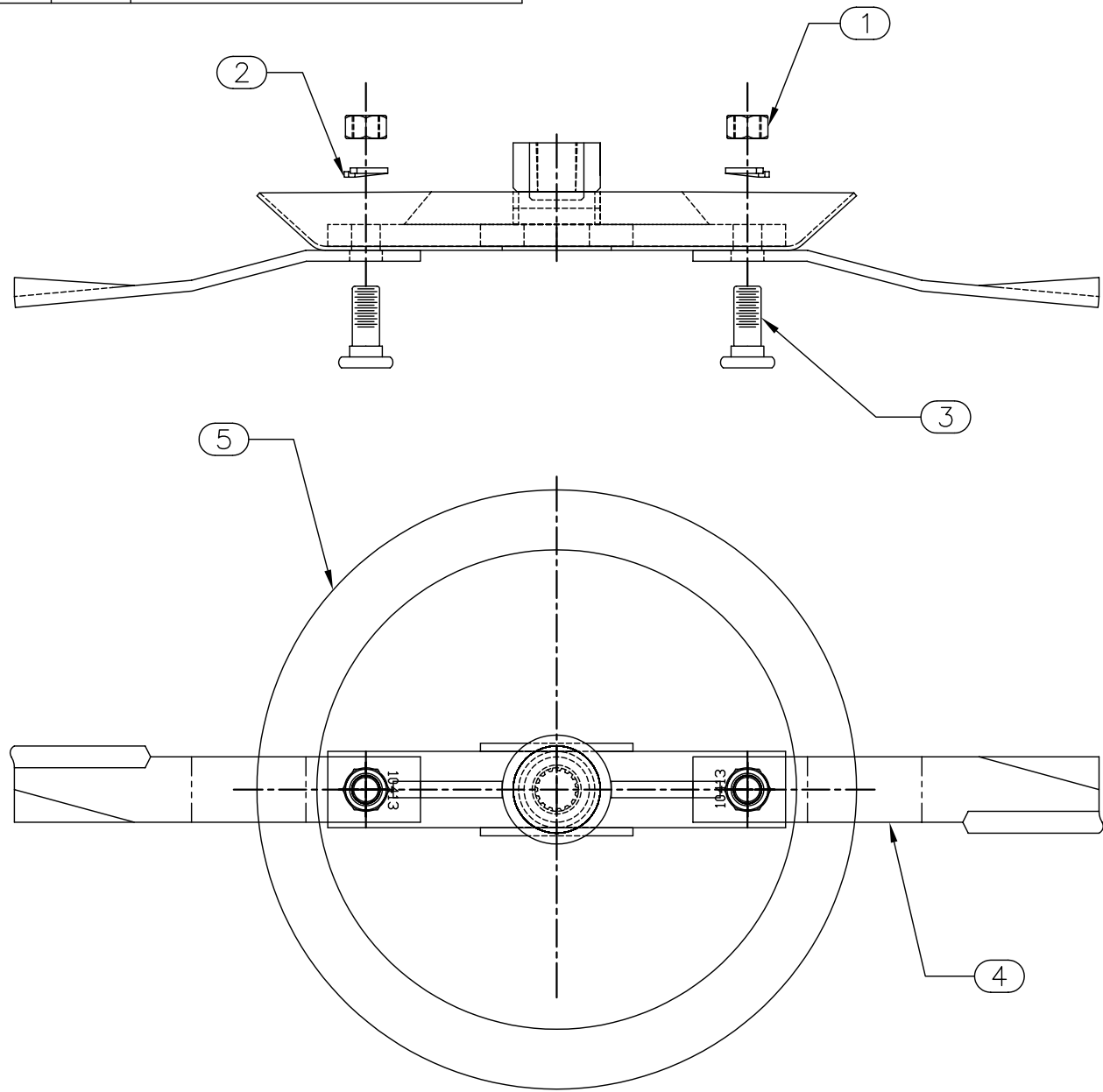
DWG. NO.		25055		REV.		K	
REV	CHANGE	BY	DATE	ECN			
F	CHANGE SERIAL # PLATE	T.R.M.	6/6/00	0792			
G	UP REV LEVEL TO MATCH B.O.M.	T.R.M.	8/23/00	0803			
H	REV. DWG PER PRODUCT AUDIT	T. NAIL	4/19/01	0893			
I	REPLACE 10418 WITH 21019	T.R.M.	10/21/02	0929			
J	REPLACE 10327 WITH 11854	T. NAIL	2/04/04	0964			
K	CHANGED SHIELD WELDMENTS	T.NAIL	6/13/06	1090			

All Dimensions in Inches Unless Otherwise Specified  
 Dimensions in [ ] are in Millimeters  
 Tolerances Unless Otherwise Specified  
 Fractional Dimensions ±1/16" Angular Dimensions ±1°  
 Decimal Dim. to Limits Shown All holes to be  $\begin{matrix} +0 \\ -1/32 \end{matrix}$

DRAWN BY	W.E.S.	10/23/98	<b>EVH MANUFACTURING CO</b> LORIS S.C.	
CHECKED BY				
MATERIAL	R.M.N.		APPLICATION	OLD PART #
			1198W	----
			DESCRIPTION	1198W ASSEMBLY
MANUFACTURED BY: EVH MANUFACTURING CO			DO NOT SCALE	DWG. NO. 25055
			A	SHEET 2 OF 2

ITEM NO.	PART NUMBER	QTY REQD.	NOMENCLATURE OR DESCRIPTION
1	10311	2	1 1/4" NUT FOR BLADE BOLT
2	10312	2	1 1/4" LOCK WASHER FOR BLADE BOLT
3	10313	2	BLADE BOLT
4	10413	2	BLADE
5	20236	1	ROUND BLADE HOLDER WELDMENT

DWG. NO. 20304			REV. IR	
REV	CHANGE	BY	DATE	ECN
IR	INITIAL RELEASE	T.R.M.	1/19/01	----



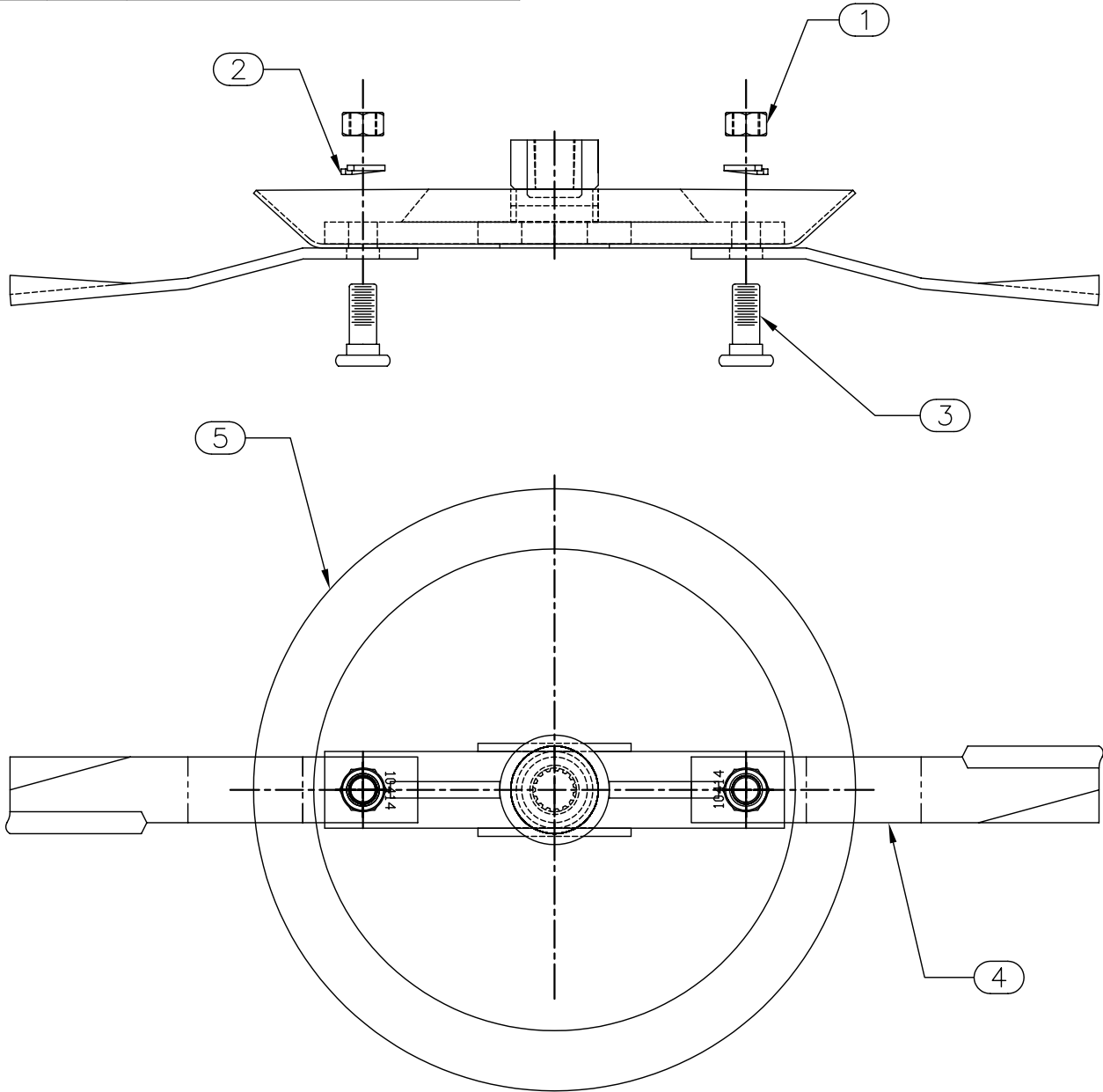
All Dimensions in Inches Unless Otherwise Specified  
Dimensions in [ ] are in Millimeters

Tolerances Unless Otherwise Specified  
Fractional Dimensions  $\pm 1/16"$  Angular Dimensions  $\pm 1^\circ$   
Decimal Dim. to Limits Shown All holes to be  $\begin{matrix} +0 \\ -1/32 \end{matrix}$

DRAWN BY	T.R.M.	1/19/01	EVH Manufacturing Co. LORIS S.C.	
CHECKED BY				
MATERIAL	R.M.N.		APPLICATION	OLD PART #
MANUFACTURED BY: HARDEE MFG. CO., LLC			1198W	----
			DESCRIPTION BLADE HOLDER WITH BLADES COMPLETE (RIGHT)	
DO NOT SCALE	A	DWG. NO.	20304	
	DWG SIZE			

ITEM NO.	PART NUMBER	QTY REQD.	NOMENCLATURE OR DESCRIPTION
1	10311	2	1 1/4" NUT FOR BLADE BOLT
2	10312	2	1 1/4" LOCK WASHER FOR BLADE BOLT
3	10313	2	BLADE BOLT
4	10414	2	REVERSE UPLIFT BLADE
5	20236	1	ROUND BLADE HOLDER WELDMENT

DWG. NO. 20305			REV. IR	
REV	CHANGE	BY	DATE	ECN
IR	INITIAL RELEASE	T.R.M.	1/19/01	----



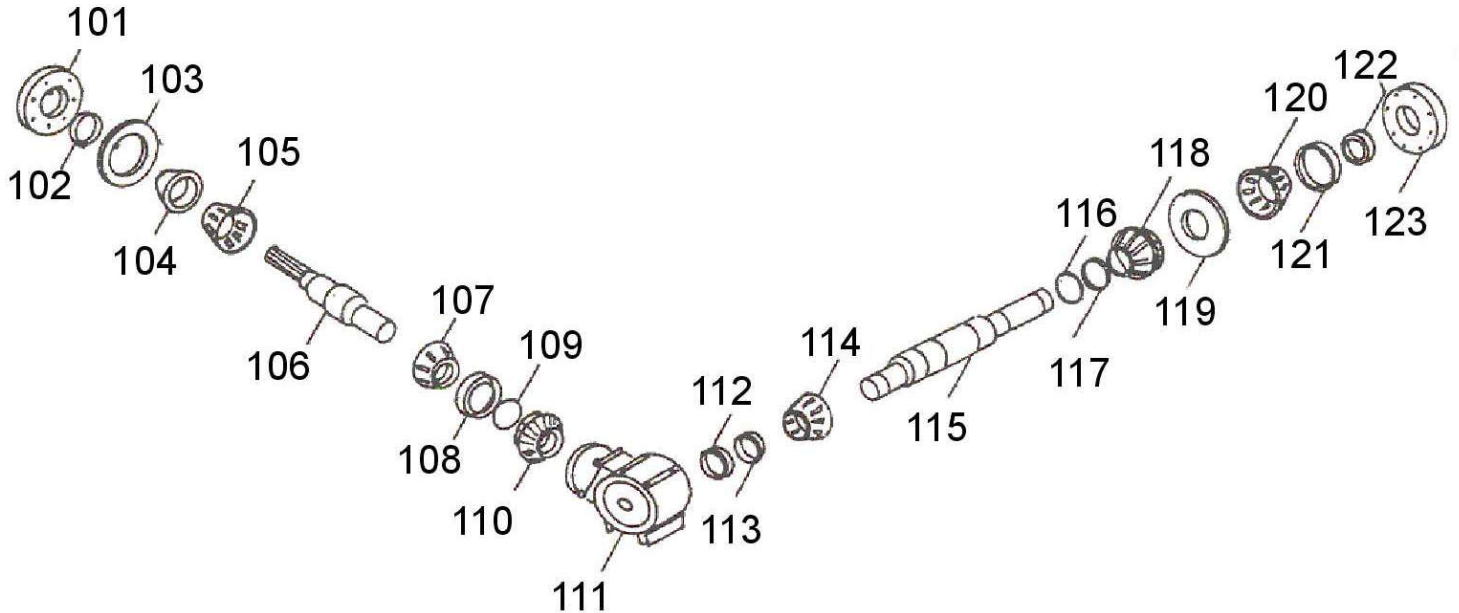
All Dimensions in Inches Unless Otherwise Specified  
 Dimensions in [ ] are in Millimeters

Tolerances Unless Otherwise Specified  
 Fractional Dimensions  $\pm 1/16"$  Angular Dimensions  $\pm 1^\circ$   
 Decimal Dim. to Limits Shown All holes to be  $\begin{matrix} +0 \\ -1/32 \end{matrix}$

DRAWN BY	T.R.M.	1/19/01	EVH Manufacturing Co. LORIS S.C.	
CHECKED BY				
MATERIAL	R.M.N.		APPLICATION	OLD PART #
MANUFACTURED BY: HARDEE MFG. CO., LLC			1198W	----
			DESCRIPTION BLADE HOLDER WITH BLADES COMPLETE (LEFT)	
DO NOT SCALE	A	DWG. NO.	20305	
	DWG SIZE			

# 10415 Gearbox

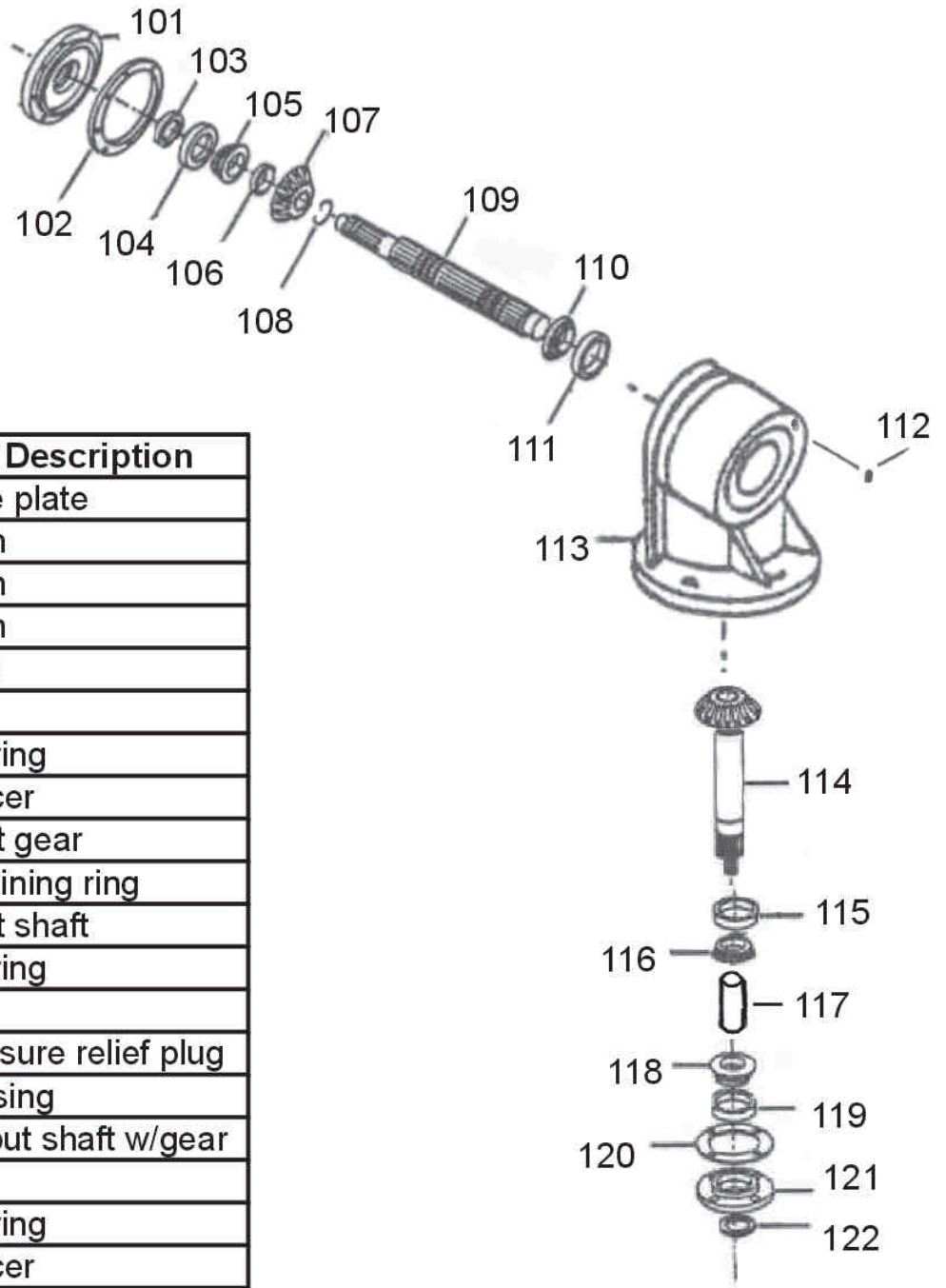
(Center Gearbox 1:1 Ratio)



Key #	Part No.	Description	Key #	Part #	Description
101	23013	Input cover plate	114	11241	Bearing
102	10354	Input seal	115	15608	Output shaft
103	10356	Shim	116	10353	Retaining ring
104	11242	Cup	117	15607	Spacer
105	10352	Bearing	118	10684	Output gear
106	15610	Input shaft	119	15732	Shim
107	10352	Bearing		15733	Shim
108	11242	Cup		15734	Shim
109	15593	Spacer	120	11241	Bearing
110	10684	Input gear	121	11240	Cup
111	15770	Gearbox housing	122	15715	Output seal
112	15715	Output seal	123	15768	Side cover plate
113	11240	Cup			

# 11854 Gearbox

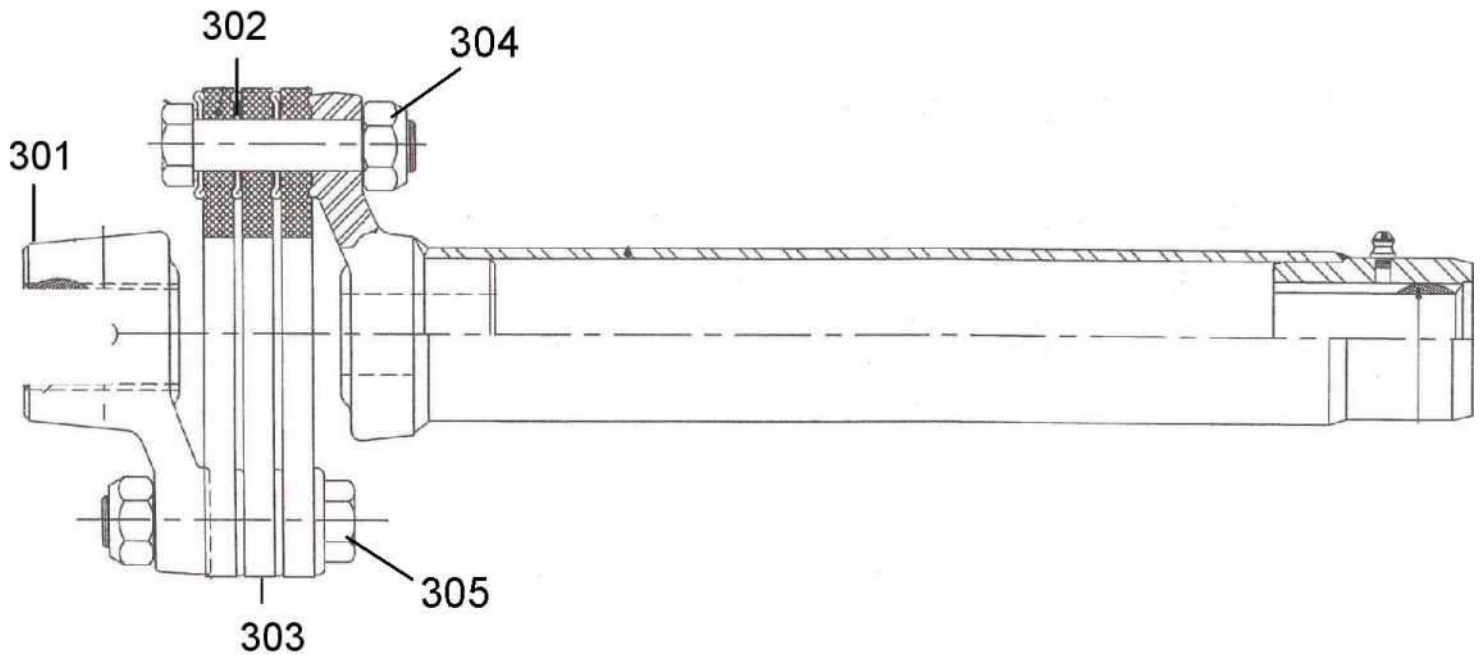
( 90H.P. Gearbox 1.93 : 1 Ratio)



Key #	Part No.	Part Description
101	15768	Face plate
102	15732	Shim
	15733	Shim
	15734	Shim
103	15715	Seal
104	11240	Cup
105	11241	Bearing
106	15606	Spacer
107	15863	Input gear
108	10353	Retaining ring
109	15602	Input shaft
110	11241	Bearing
111	11240	Cup
112	15664	Pressure relief plug
113	11516	Housing
114	15864	Output shaft w/gear
115	11243	Cup
116	10352	Bearing
117	23012	Spacer
118	10352	Bearing
119	11242	Cup
120	15706	Shim
121	15705	Bottom cover
122	10354	Output seal

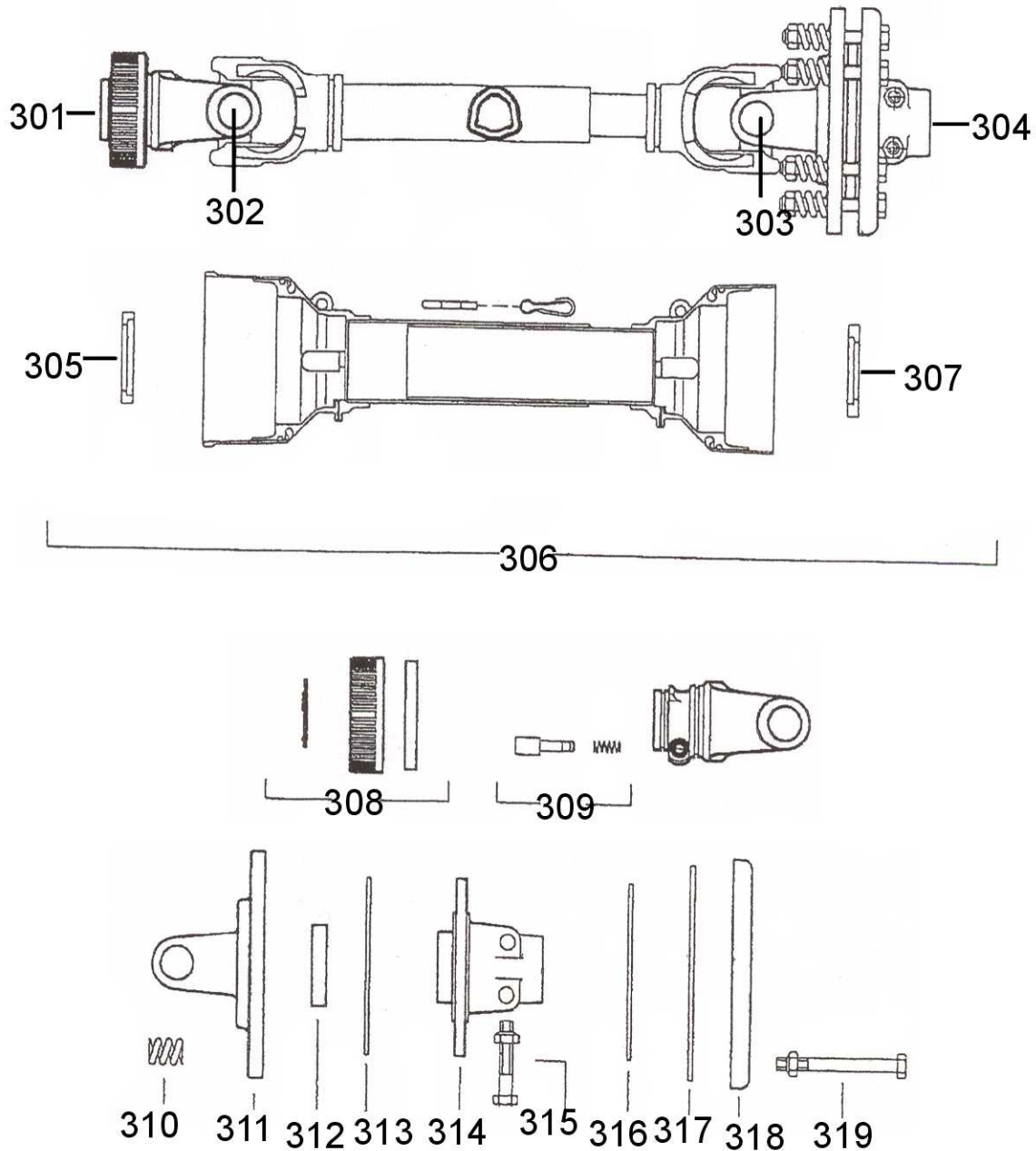
# 10417

## Outrigger shaft



Key#	Part No.	Description
301	11768	6 Spline hub
302	15741	Spacer
303	11769	Rubber disc
304	10166	Lock Nut
305	10094	Bolt 5/8 X 3

# 11567 Driveshaft



Key #	Part No.	Description	Key #	Part No.	Description
301	11440	Yoke, Tractor end	311	15806	Flange yoke
302	15559	Cross kit	312	15562	Bushing
303	15559	Cross kit	313	11204	Clutch facing
304	11444	Clutch, complete	314	15802	Center hub
305	15800	Shield bearing	315	15803	Clutch bolt
306	11749	Shield kit complete	316	11204	Clutch facing
307	15801	Shield bearing	317	15563	Inner plate
308	15786	Twist collar kit	318	15799	Pressure plate
309	15579	Push pin complete	319	15794	Clutch bolt
310	15561	Spring			