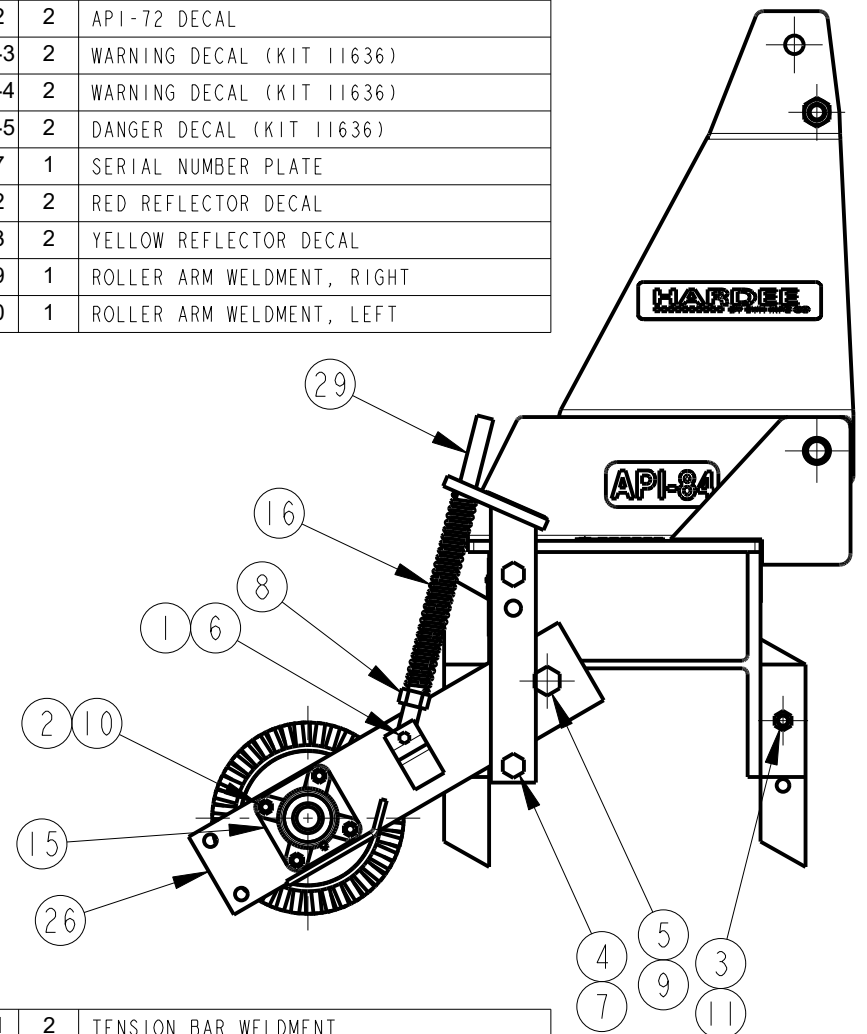
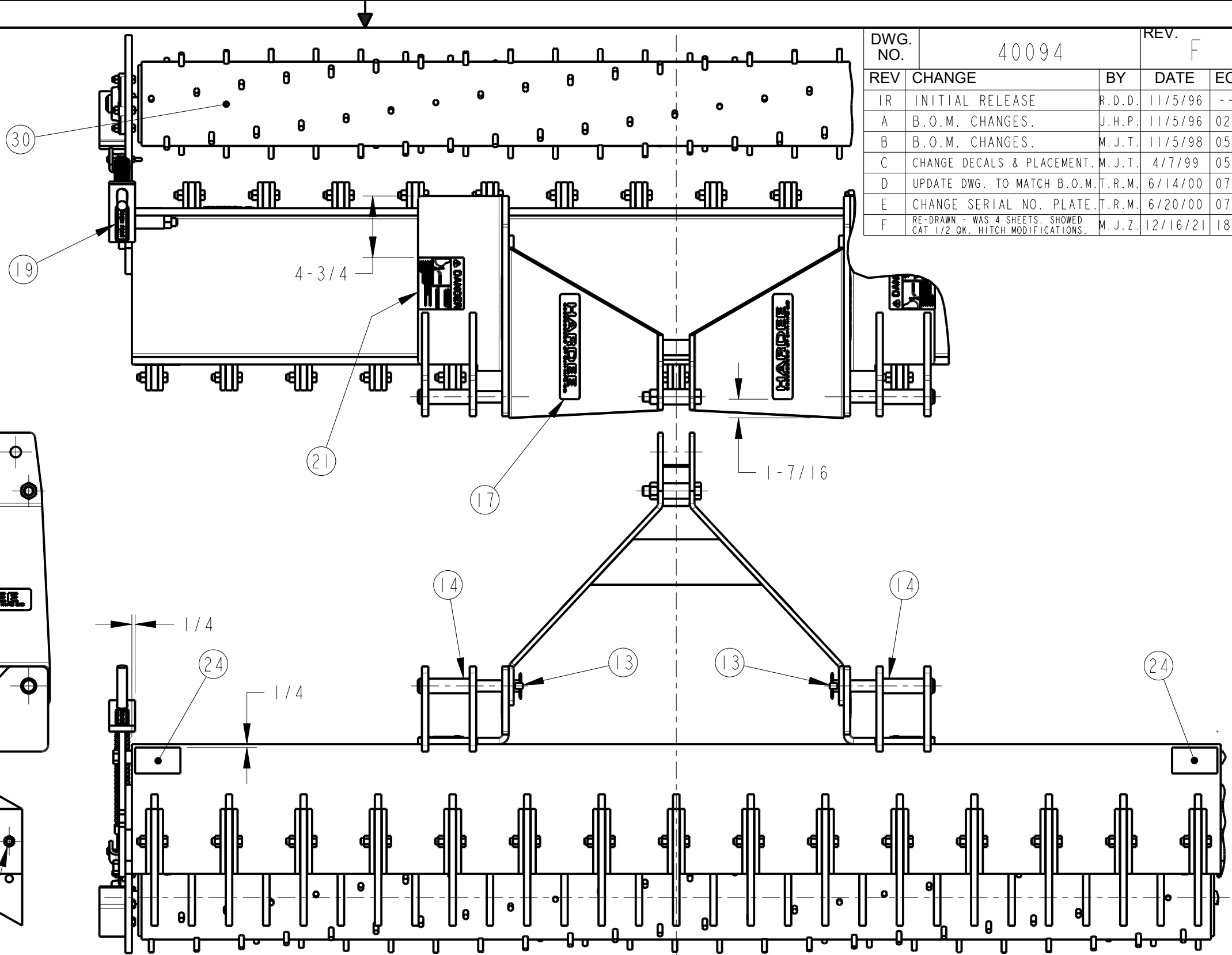


Item	Part Number	Qty.	Description
1	10005	2	HEX BOLT, 1/4" X 2-1/2" Gr.5 Plated
2	10032	8	HEX BOLT, 3/8 x 1-1/2 Gr.5 PLATED
3	10073	29	HEX BOLT, 1/2 x 2 Gr.5 Plated
4	10097	4	HEX BOLT, 5/8-11 x 4-1/2" Gr.5 Plated
5	10116	2	HEX BOLT, 3/4 x 4-1/2 Gr.5 Plated
6	10153	2	LOCKNUT, 1/4" PLATED
7	10166	4	LOCKNUT, 5/8"-11 PLATED
8	10167	2	HEX NUT, 3/4" (Gr.5 PLATED)
9	10168	2	LOCKNUT, 3/4"-10 (Gr.5 Plated)
10	10175	8	LOCKNUT, 3/8"-16 Gr.5 PLATED
11	10176	29	LOCKNUT, 1/2" (Gr.5 Plated)
12	10339	2	POP RIVET
13	10346	2	3 Pt. Snap Pin (Lynch Pin)
14	10464	2	CATEGORY I & II HITCH PIN
15	10473	2	4 BOLT FLANGED BEARING
16	10474	2	SPRING, COMPRESSION, 1-1/8 DIA. X 9
17	11032	2	DECAL, SMALL HARDEE LOGO
18	11122	2	API-72 DECAL
19	11636-3	2	WARNING DECAL (KIT 11636)
20	11636-4	2	WARNING DECAL (KIT 11636)
21	11636-5	2	DANGER DECAL (KIT 11636)
22	11727	1	SERIAL NUMBER PLATE
23	15852	2	RED REFLECTOR DECAL
24	15853	2	YELLOW REFLECTOR DECAL
25	40099	1	ROLLER ARM WELDMENT, RIGHT
26	40100	1	ROLLER ARM WELDMENT, LEFT

DWG. NO.	40094		REV. F	
REV	CHANGE	BY	DATE	ECN
IR	INITIAL RELEASE	R.D.D.	11/5/96	---
A	B.O.M. CHANGES.	J.H.P.	11/5/96	0243
B	B.O.M. CHANGES.	M.J.T.	11/5/98	0522
C	CHANGE DECALS & PLACEMENT.	M.J.T.	4/7/99	0592
D	UPDATE DWG. TO MATCH B.O.M.	T.R.M.	6/14/00	0764
E	CHANGE SERIAL NO. PLATE.	T.R.M.	6/20/00	0792
F	RE-DRAWN - WAS 4 SHEETS. SHOWED CAT 1/2 OK. HITCH MODIFICATIONS.	M.J.Z.	12/16/21	1804

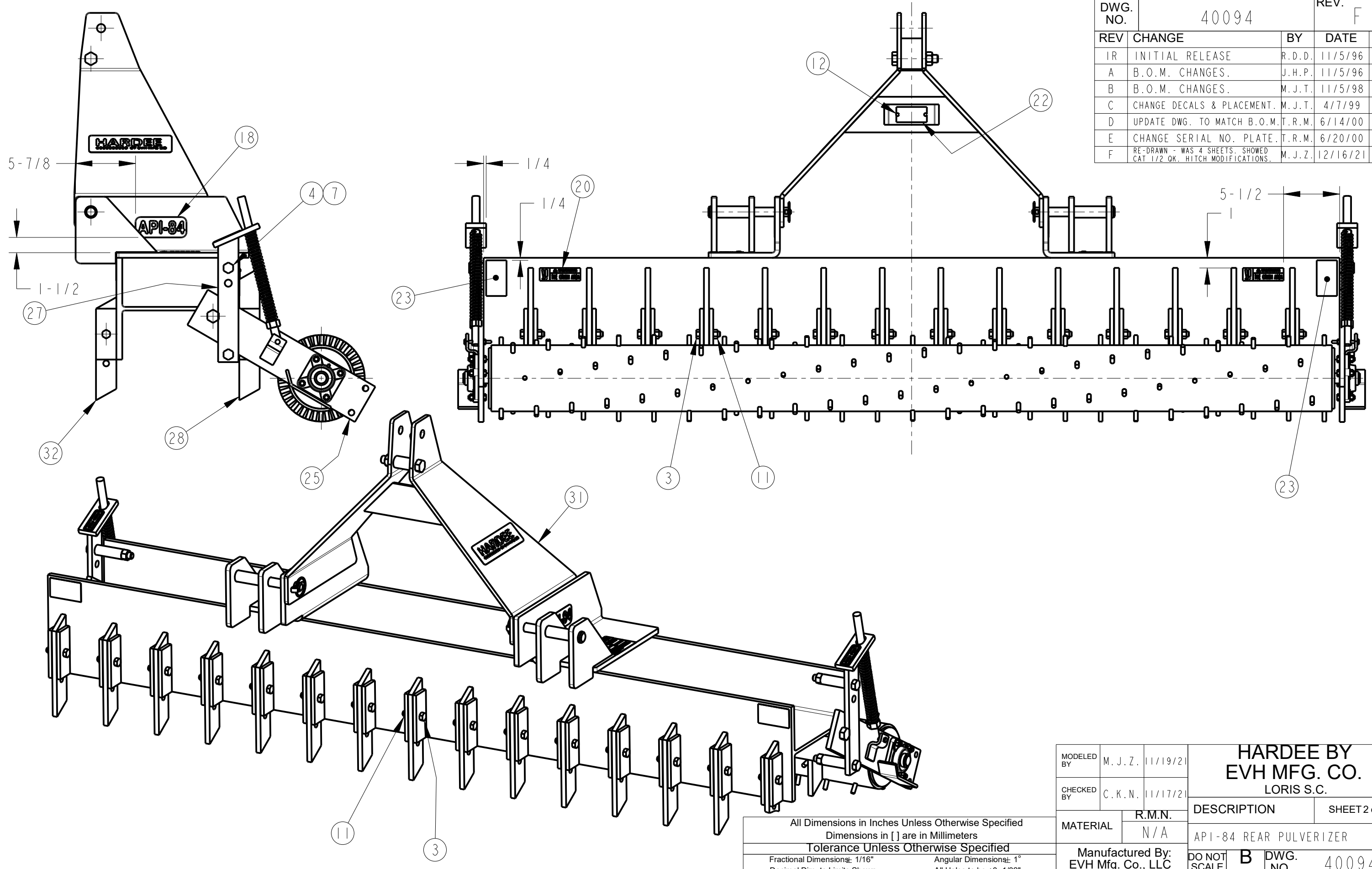


27	40101	2	TENSION BAR WELDMENT
28	40115	14	CUTTING TOOTH FOR PULVERIZER
29	40124	2	TENSION ROD (THREADED)
30	40139	1	ROLLER WELDMENT, API84
31	40263	1	MAIN FRAME WELDMENT, API84
32	40361	15	CUTTING TOOTH, FRONT - SHORT, API

All Dimensions in Inches Unless Otherwise Specified  
 Dimensions in [ ] are in Millimeters  
 Tolerance Unless Otherwise Specified  
 Fractional Dimensions: 1/16" Angular Dimensions: 1°  
 Decimal Dim. to Limits Shown All Holes to be +0 -1/32"

MODELED BY	M. J. Z.	11/19/21	<b>HARDEE BY EVH MFG. CO. LORIS S.C.</b>	
CHECKED BY	C. K. N.	11/17/21		
MATERIAL	R.M.N. N/A		DESCRIPTION	SHEET 1 of 2
Manufactured By: EVH Mfg. Co., LLC			DO NOT SCALE	DWG. NO. 40094

DWG. NO.	40094		REV.	F
REV	CHANGE	BY	DATE	ECN
IR	INITIAL RELEASE	R.D.D.	11/5/96	---
A	B.O.M. CHANGES.	J.H.P.	11/5/96	0243
B	B.O.M. CHANGES.	M.J.T.	11/5/98	0522
C	CHANGE DECALS & PLACEMENT.	M.J.T.	4/7/99	0592
D	UPDATE DWG. TO MATCH B.O.M.	T.R.M.	6/14/00	0764
E	CHANGE SERIAL NO. PLATE.	T.R.M.	6/20/00	0792
F	RE-DRAWN - WAS 4 SHEETS. SHOWED CAT 1/2 OK. HITCH MODIFICATIONS.	M.J.Z.	12/16/21	1804



All Dimensions in Inches Unless Otherwise Specified  
 Dimensions in [ ] are in Millimeters  
 Tolerance Unless Otherwise Specified  
 Fractional Dimensions: 1/16" Angular Dimensions: 1°  
 Decimal Dim. to Limits Shown All Holes to be +0 -1/32"

MODELED BY	M. J. Z.	11/19/21	<b>HARDEE BY EVH MFG. CO. LORIS S.C.</b>	
CHECKED BY	C. K. N.	11/17/21		
MATERIAL	R.M.N. N/A		DESCRIPTION	SHEET 2 of 2
Manufactured By: EVH Mfg. Co., LLC			DO NOT SCALE	DWG. NO. 40094