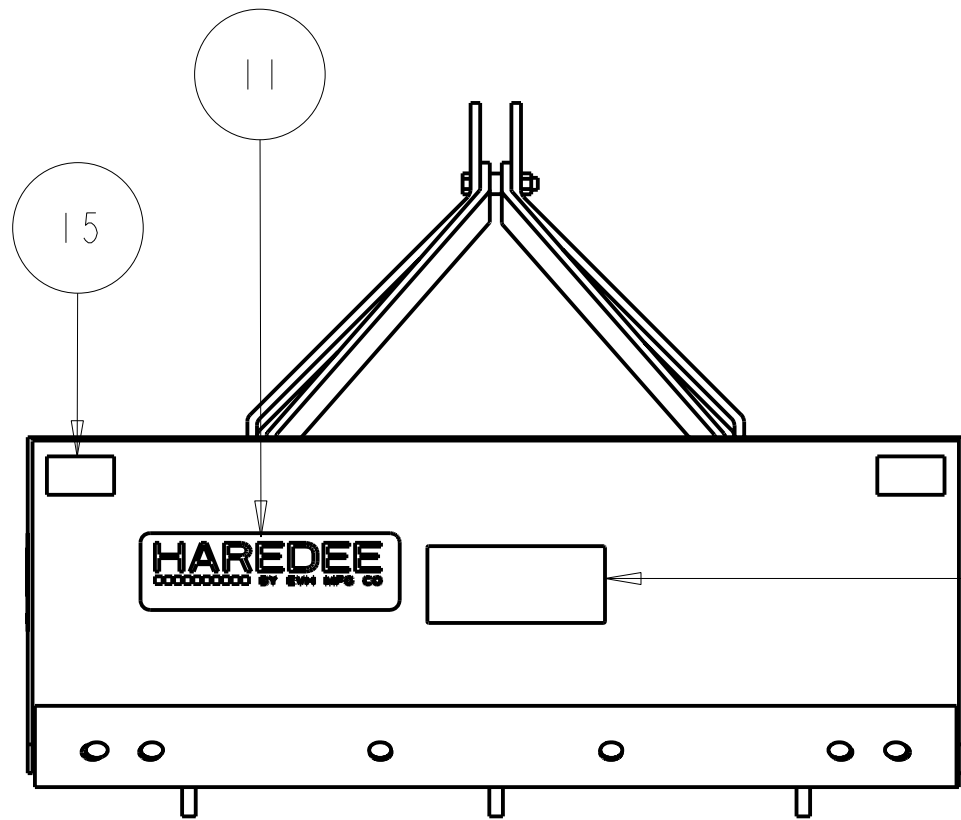
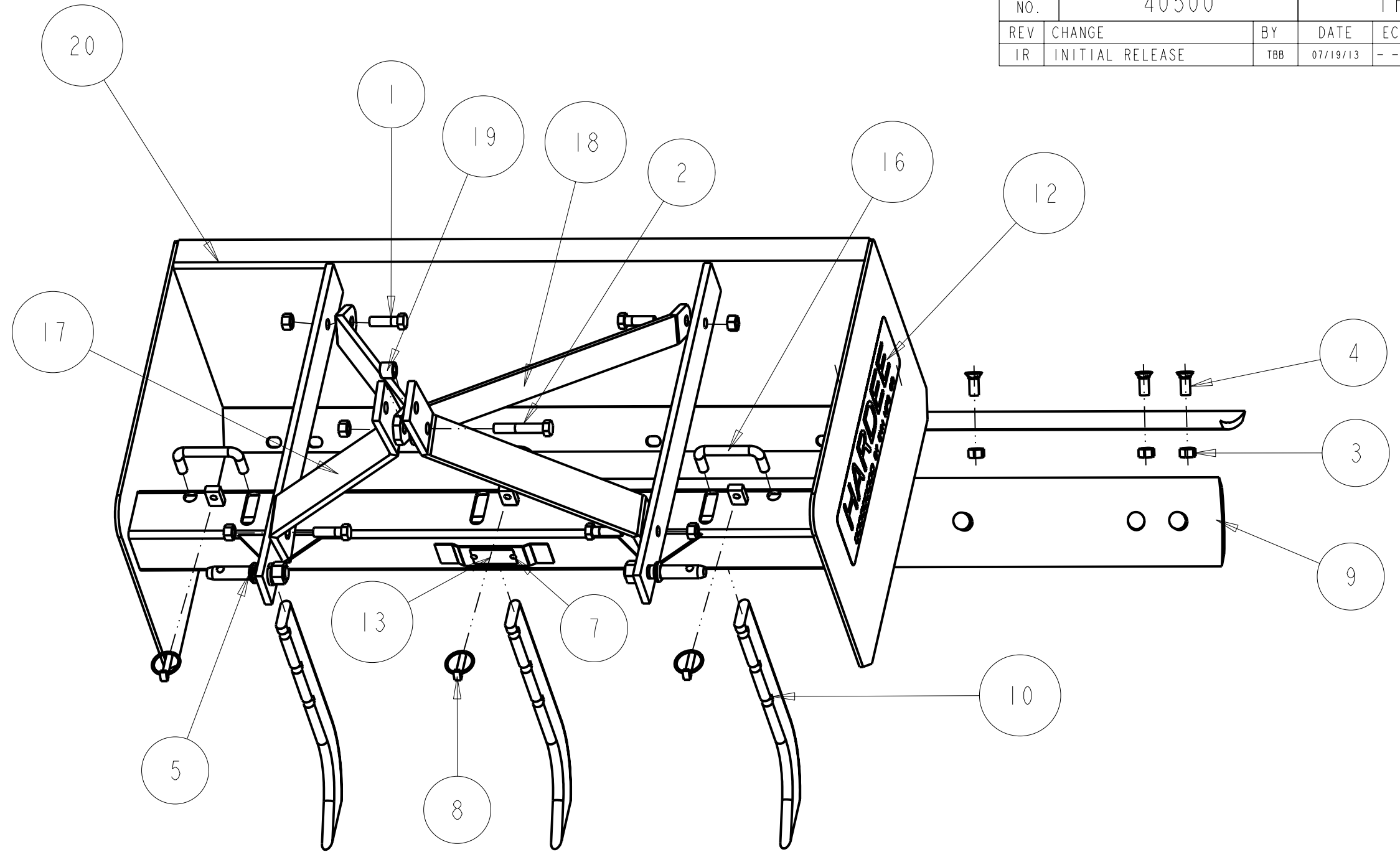


Item	Part Number	Qty.	Description
1	10092	4	Hex Bolt 5/8 x 2 gr.5 plated
2	10095	1	Hex Bolt 5/8" x 3 1/2" gr.5 Plated
3	10166	17	Lock Nut 5/8 plated
4	10262	12	Plow Bolt 5/8 x 1 1/2 Gr.5 Plated
5	10307	2	Category I Hitch Pin
6	10335	1	Hardee Red Paint
7	10339	2	Rivet For Serial Number Plate
8	10346	3	3 pt. Snap Pin (Lynch Pin)
9	10430	2	48 Cutting Edge
10	10485	3	Scarifier
11	11010	1	Large Hardee Logo Decal
12	11131	2	Large Hardee Logo Decal
13	11727	1	Serial Number Plate
14	11856	1	DECAL, MODEL ES-48
15	15852	2	Red Reflector Decal
16	40162	3	Scarifier Lock
17	40516	2	ES A-FRAME
18	40517	2	ES STRUT
19	40518	1	ES Hitch Spacer
20	40521	1	ES-48 FRAME WELDMENT

DWG. NO.	40500	REV.	IR
REV	CHANGE	BY	DATE
IR	INITIAL RELEASE	TBB	07/19/13
			ECN
			- - -



All Dimensions in Inches Unless Otherwise Specified
 Dimensions in [] are in Millimeters
 Tolerance Unless Otherwise Specified
 Fractional Dimensions ± 1/16" Angular Dimensions ± 1°
 Decimal Dim. to Limits Shown All Holes to be +0 -1/32"

MODELED BY	TBB	07/19/13	HARDEE BY EVH MFG. CO. LORIS S.C.	DESCRIPTION	SHEET 1 of 2
DRAWN BY	TBB	07/19/13			
MATERIAL	R.M.N.	N/A	ES-48 COMPLETE		
Manufactured By: EVH Mfg. Co., LLC			DO NOT SCALE	B DWG. NO.	40500