

ITEM NO.	PART NUMBER	QTY REQD.	NOMENCLATURE OR DESCRIPTION
1	10019	2	5/16" X 2" HEX BOLT
2	10031	8	3/8" X 1" HEX BOLT
3	10073	29	1/2" X 2" HEX BOLT
4	10097	4	5/8" X 4-1/2" HEX BOLT
5	10116	2	3/4" X 4-1/2" HEX BOLT
6	10166	4	5/8" LOCKNUT
7	10167	2	3/4" HEX NUT
8	10168	2	3/4" LOCKNUT
9	10176	29	1/2" LOCKNUT
10	10182	8	3/8" LOCKWASHER
11	11727	1	SERIAL # PLATE
12	10339	2	RIVETS FOR SERIAL # PLATE
13	10469	2	7/8" CAT 1 HITCH PIN W/CLIP
14	10473	2	1" 4 BOLT FLANGE W/BEARING
15	10474	2	TENSION SPRING
16	10335	1	RED PAINT
17	11032	2	HWI LOGO DECAL
18	11122	2	API-84 MODEL # DECAL
19	11636	1	SAFETY DECAL SHEET
20	40099	1	RIGHT ROLLER ARM WELDMENT
21	40100	1	LEFT ROLLER ARM WELDMENT
22	40101	2	TENSION BAR WELDMENT
23	40115	29	CUTTING TOOTH
24	40124	2	TENSION ROD
25	40263	1	API-84 MAIN FRAME WELDMENT
26	40139	1	ROLLER WELDMENT FOR API-84
27	11850	1	WEB DECAL
28	15852	2	RED REFLECTOR DECAL

DWG. NO.			REV.	
40094			E	
REV	CHANGE	BY	DATE	ECN
IR	INITIAL RELEASE	RDD	11/5/96	---
A	B.O.M. CHANGES	J.H.P.	11/5/96	0243
B	B.O.M. CHANGES	M.J.T.	11/5/98	0522
C	CHANGE DECAL & PLACEMENT	M.J.T.	4/7/99	0592
D	UPDATE DWG TO MATCH B.O.M.	T.R.M.	6/14/00	0764
E	CHANGE SERIAL # PLATE	T.R.M.	6/20/00	0792

ADD THIS REVISION AT NEXT DRAWING CHANGE

See ECR Change #0980 for Details
Add Qty. (1) Each 15852, 15853

All Dimensions in Inches Unless Otherwise Specified
Dimensions in [] are in Millimeters

Tolerances Unless Otherwise Specified
Fractional Dimensions $\pm 1/16"$ Angular Dimensions $\pm 1"$
Decimal Dim. to Limits Shown All holes to be $^{+0}_{-1/32}$

DRAWN BY	RDD	11/5/96	HARDEE BY EVH MFG. CO. LORIS S.C.	
CHECKED BY			APPLICATION API-84	OLD PART # N/A
MATERIAL	R.M.N. N/A	DESCRIPTION API-84 PULVERIZER COMPLETE		
MANUFACTURED BY: HARDEE MFG. CO., L.L.C.		DO NOT SCALE	A DWG SIZE	DWG. NO. SHT 1 OF 4 40094

DWG. NO.

40094

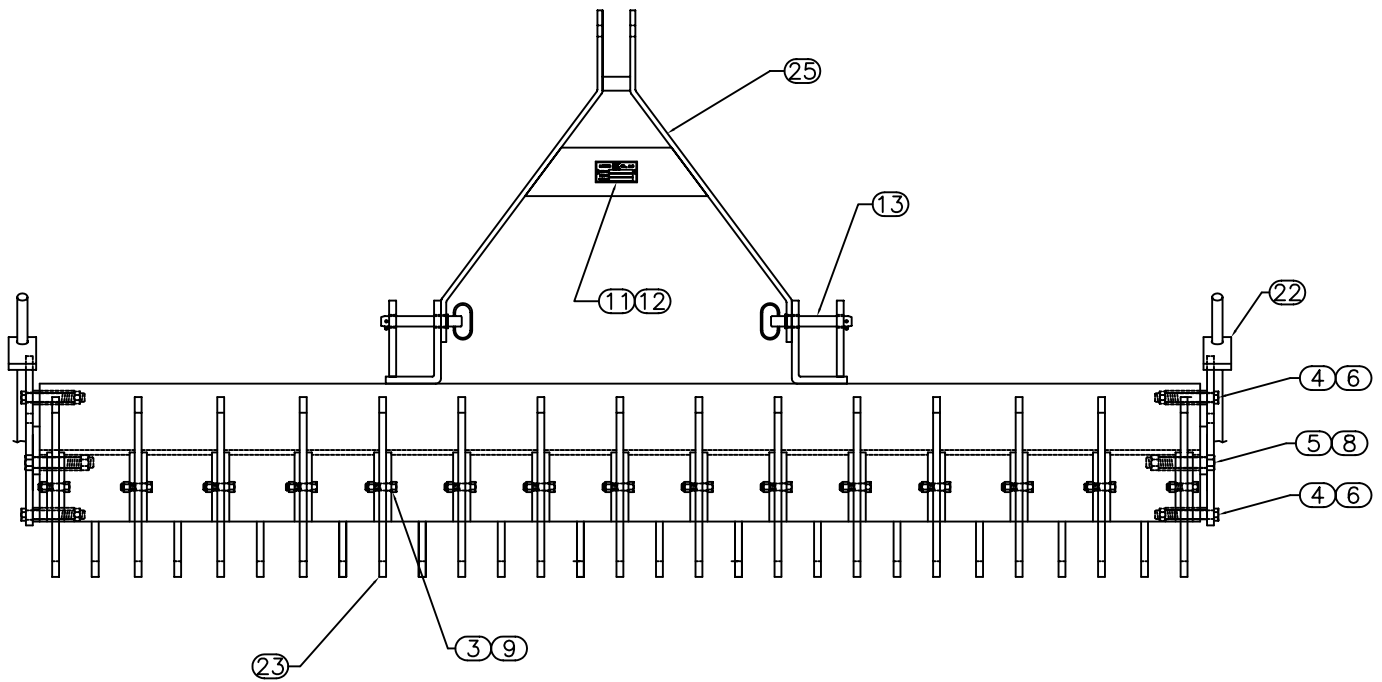
REV.

E

ADD THIS REVISION AT NEXT
DRAWING CHANGE

See ECR Change #0980 for Details
Add Qty. (1) Each 15852, 15853

REV	CHANGE	BY	DATE	ECN
IR	INITIAL RELEASE	RDD	11/5/96	----
A	B.O.M. CHANGES	J.H.P.	11/5/96	0243
B	B.O.M. CHANGES	M.J.T.	11/5/98	0522
C	CHANGE DECALS AND PLACEMENT	M.J.T.	4/7/99	0592
D	UPDATE DWG TO MATCH B.O.M.	T.R.M.	6/16/00	0764
E	CHANGE SERIAL # PLATE	T.R.M.	6/20/00	0792



All Dimensions in Inches Unless Otherwise Specified
Dimensions in [] are in Millimeters

Tolerances Unless Otherwise Specified
Fractional Dimensions $\pm 1/16''$ Angular Dimensions $\pm 1^\circ$
Decimal Dim. to Limits Shown All holes to be $^{+0}_{-1/32}$

DRAWN BY	M.J.T.	4/7/99	HARDEE BY EVH MFG. CO. LORIS S.C.	
CHECKED BY				
MATERIAL	R.M.N.		APPLICATION	OLD PART #
MANUFACTURED BY: HARDEE MFG. CO., LLC			API-84	----
			DESCRIPTION API-84 PULVERIZER COMPLETE	
DO NOT SCALE	A	DWG. NO.	40094	
DWG SIZE		SHT 2 OF 4		

ADD THIS REVISION AT NEXT DRAWING CHANGE

See ECR Change #0980 for Details
Add Qty. (1) Each 15852, 15853

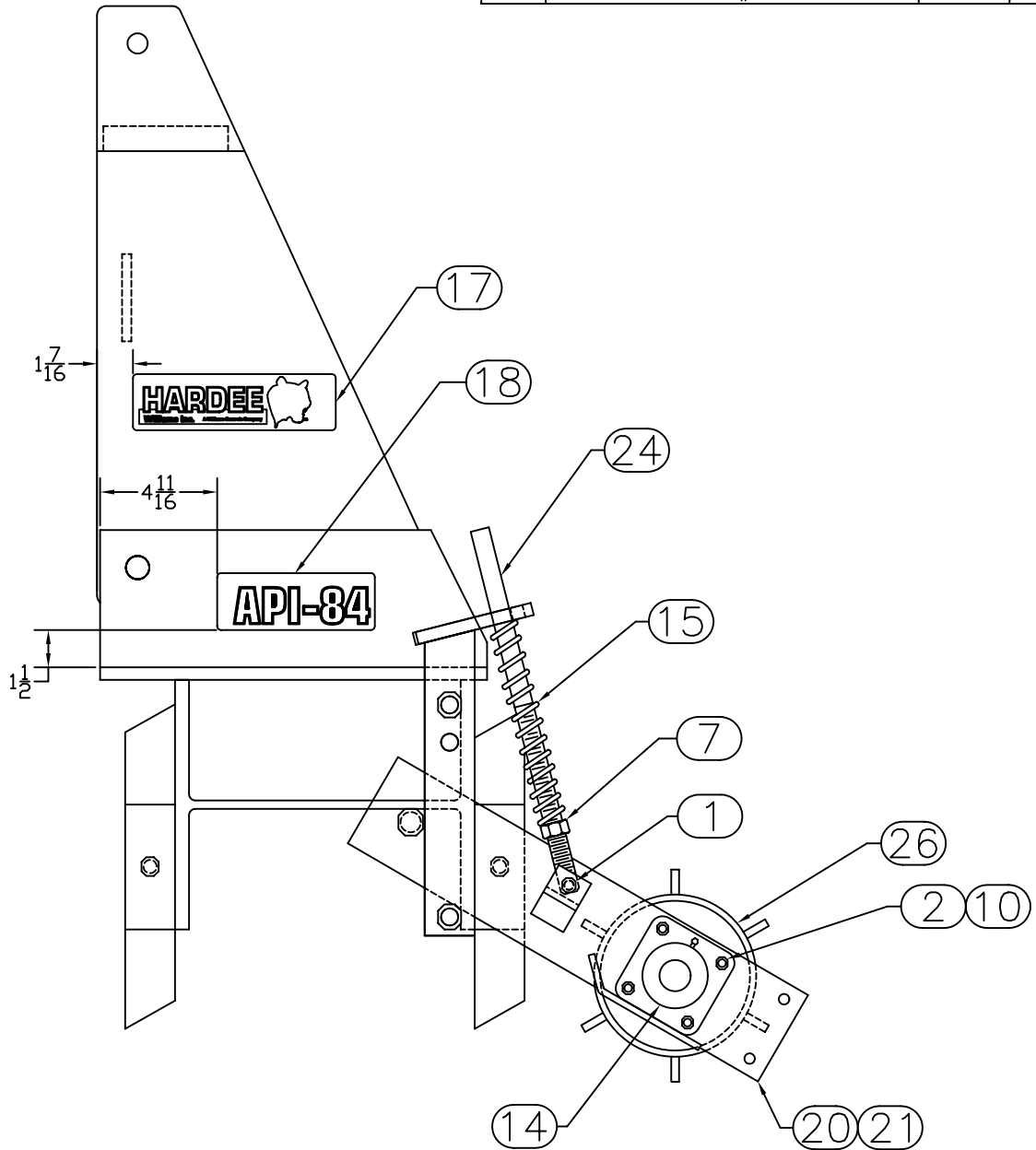
DWG. NO.

40094

REV.

E

REV	CHANGE	BY	DATE	ECN
IR	INITIAL RELEASE	R.D.D.	11/5/96	---
A	B.O.M. CHANGES	J.H.P.	11/5/96	0243
B	B.O.M. CHANGES	M.J.T.	11/5/98	0522
C	CHANGE DECAL & PLACEMENT	M.J.T.	4/7/99	0592
D	UPDATE DWG TO MATCH B.O.M.	T.R.M.	6/14/00	0764
E	CHANGE SERIAL # PLATE	T.R.M.	6/20/00	0792



All Dimensions in Inches Unless Otherwise Specified
Dimensions in [] are in Millimeters

Tolerances Unless Otherwise Specified
Fractional Dimensions $\pm 1/16"$ Angular Dimensions $\pm 1^\circ$
Decimal Dim. to Limits Shown All holes to be $\begin{matrix} +0 \\ -1/32 \end{matrix}$

DRAWN BY	R.D.D.	11/5/96
CHECKED BY		

MATERIAL R.M.N. ---
MANUFACTURED BY:
HARDEE MFG. CO., LLC

**HARDEE BY
EVH MFG.CO.
LORIS S.C.**

APPLICATION API-84 OLD PART # ---
DESCRIPTION API-84 PULVERIZER
ASSEMBLY DRAWING

DO NOT SCALE A DWG. NO. SHEET 3 OF 4 **40094**
SCALE DWG SIZE

DWG. NO.

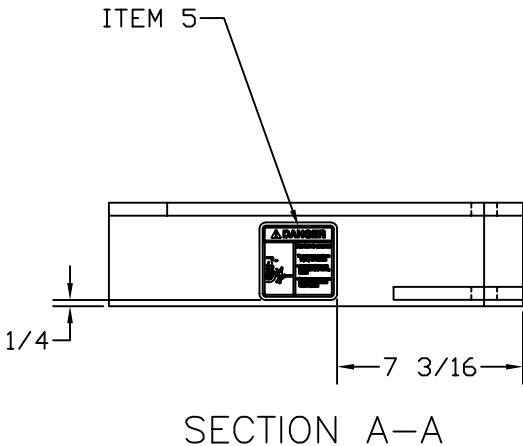
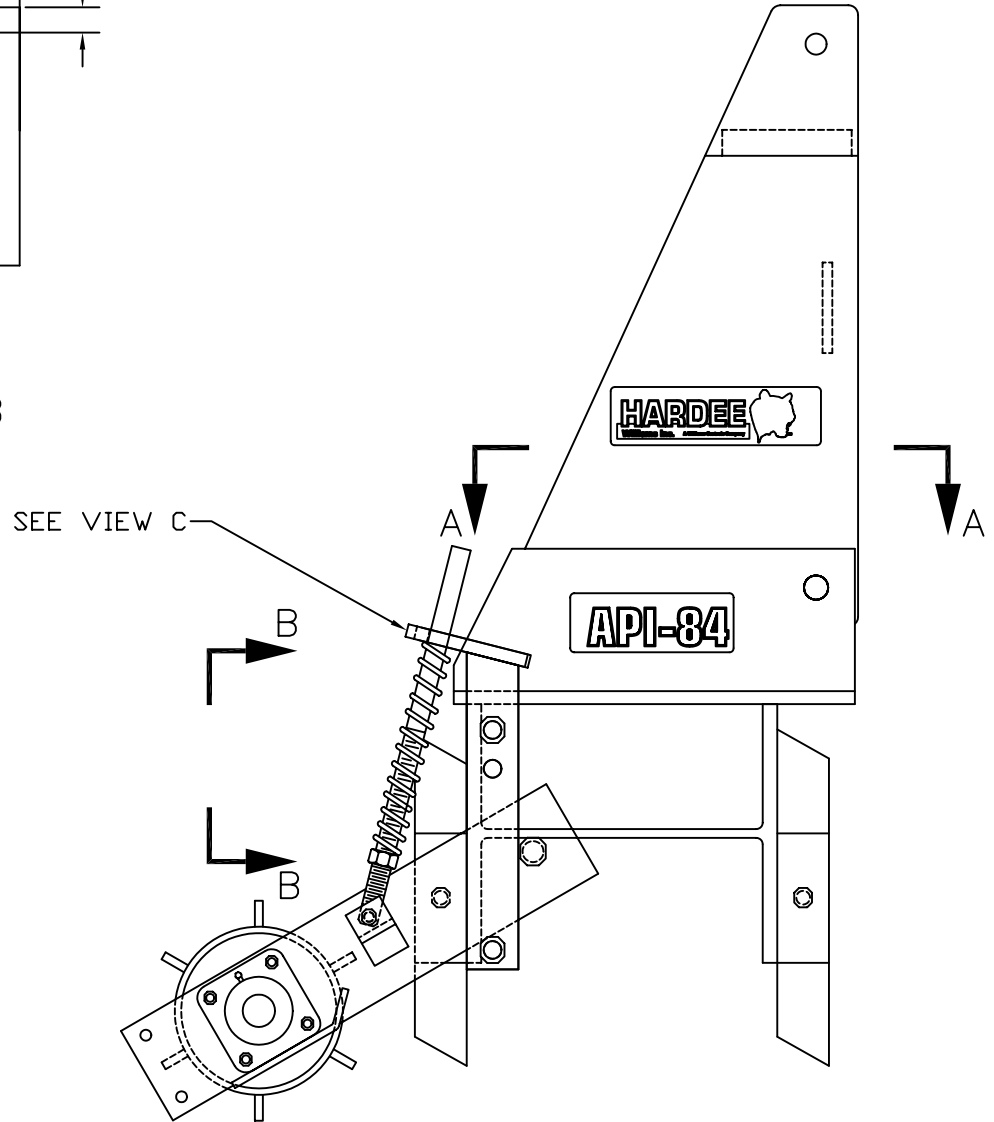
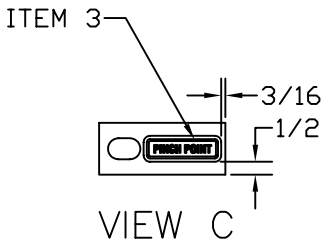
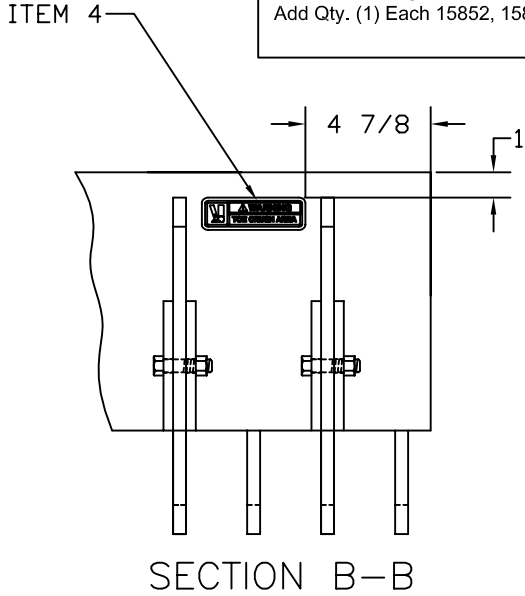
40094

REV.

E

ADD THIS REVISION AT NEXT DRAWING CHANGE
See ECR Change #0980 for Details
Add Qty. (1) Each 15852, 15853

REV	CHANGE	BY	DATE	ECN
IR	INITIAL RELEASE	R.D.D.	11/5/96	----
A	B.O.M. CHANGES	J.H.P.	11/5/96	0243
B	B.O.M. CHANGES	M.J.T.	11/5/98	0522
C	CHANGE DECALS & PLACEMENTS	M.J.T.	4/7/99	0592
D	UPDATE DWG TO MATCH B.O.M.	T.R.M.	6/16/00	0764
E	CHANGE SERIAL # PLATE	T.R.M.	6/20/00	0792



ITEM 19	
DECAL USAGE CHART	
QTY REQD.	NOMENCLATURE OR DESCRIPTION
2	ITEM 3
2	ITEM 4
2	ITEM 5

DRAWN BY	M.J.T.	6/30/99	HARDEE BY EVH MFG. CO. LORIS S.C.	
CHECKED BY				
MATERIAL	R.M.N.		APPLICATION	OLD PART #
MANUFACTURED BY: HARDEE MFG. CO., L.L.C.			API-84	N/A
			DESCRIPTION API-84 PULVERIZER COMPLETE	
DO NOT SCALE	A	DWG. NO.	SHEET 4 OF 4 40094	
	DWG SIZE			

All Dimensions in Inches Unless Otherwise Specified
Dimensions in [] are in Millimeters

Tolerances Unless Otherwise Specified
Fractional Dimensions $\pm 1/16"$ Angular Dimensions $\pm 1^\circ$
Decimal Dim. to Limits Shown All holes to be $\begin{matrix} +0 \\ -1/32 \end{matrix}$