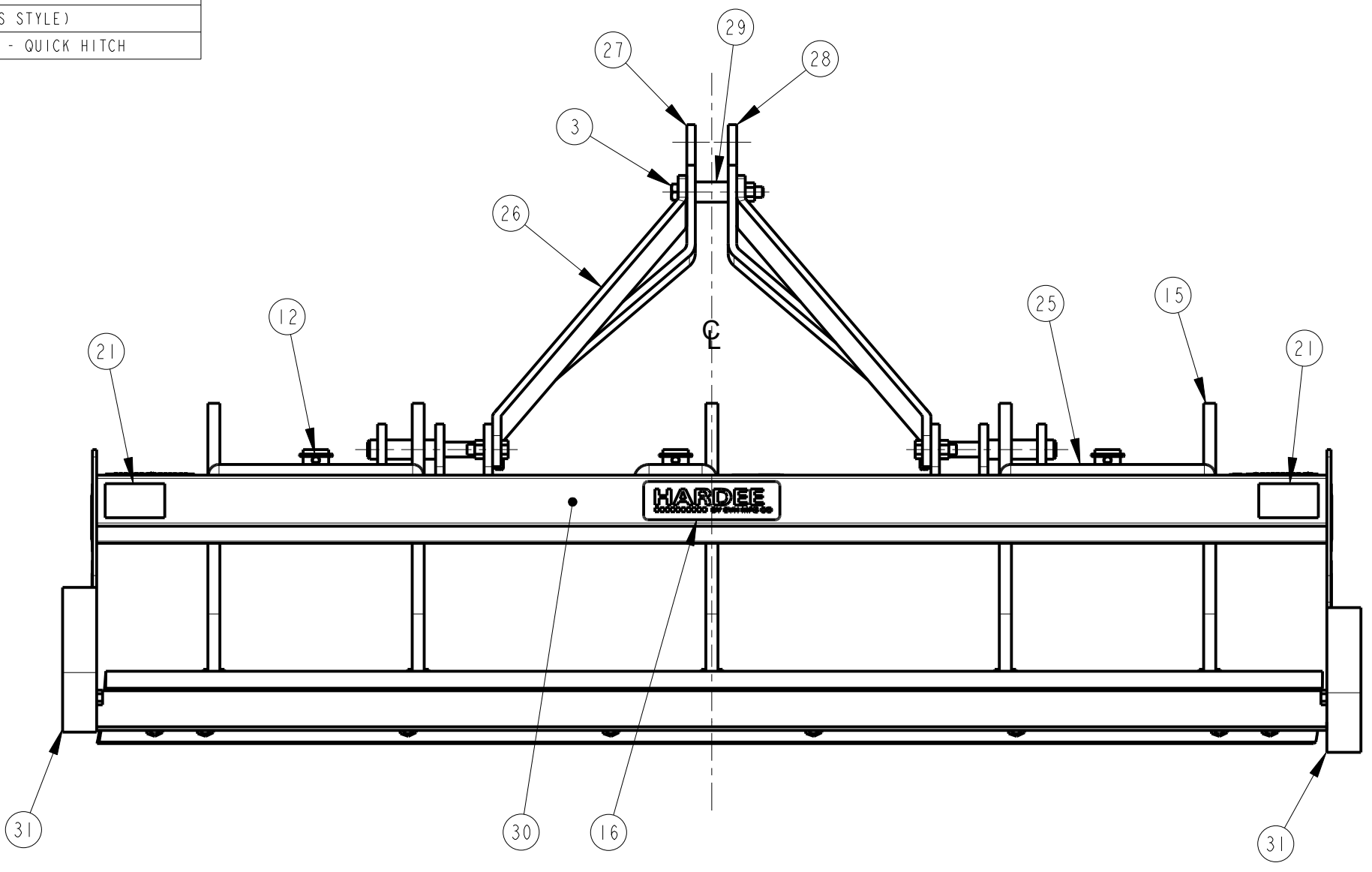
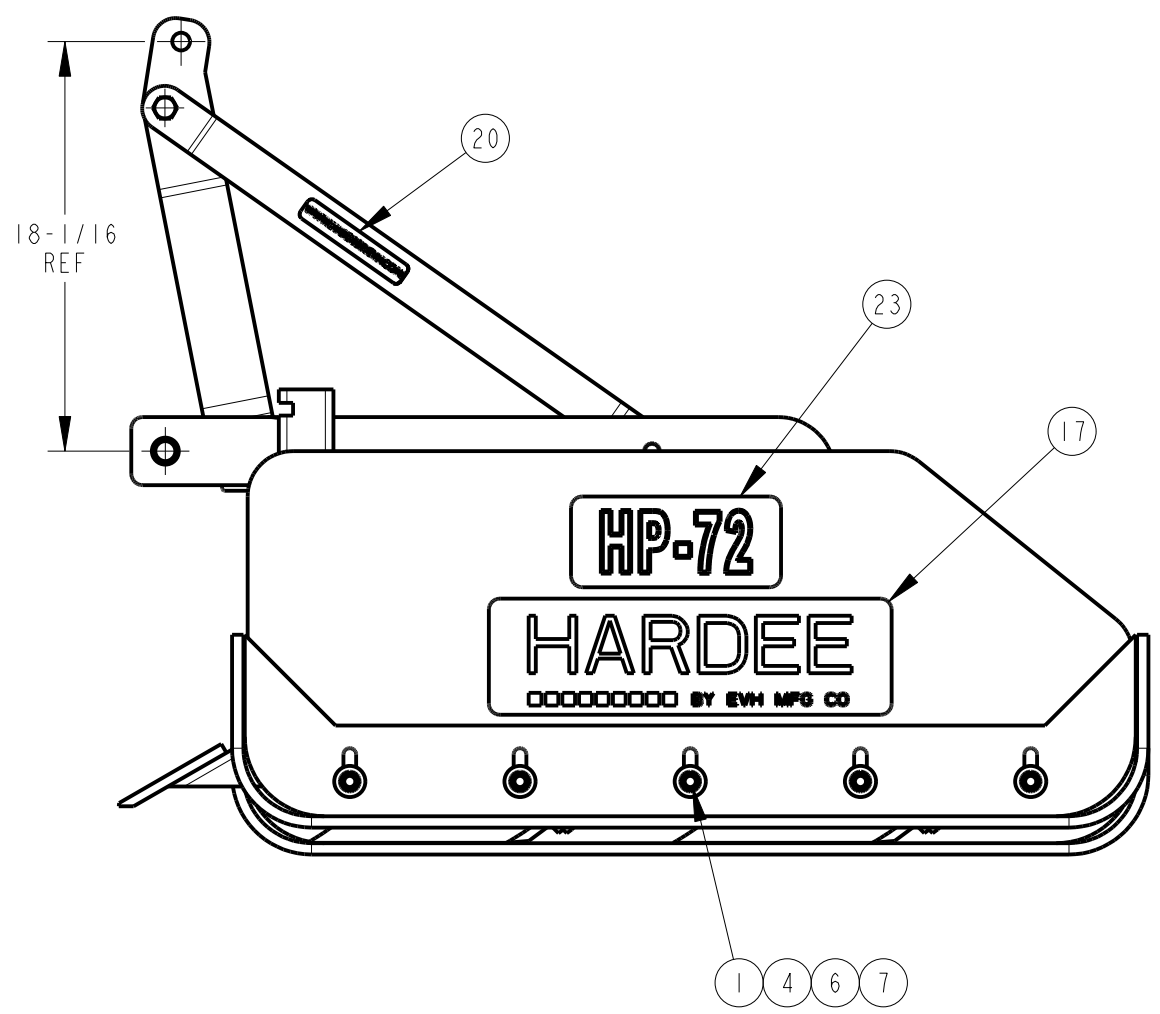


Item	Part Number	Qty.	Description	14	10464	2	HITCH PIN, CATEGORY I & II	28	40530	1	ES RIGHT A-FRAME - QUICK HITCH
1	10072	10	HEX BOLT, 1/2 x 1 1/2 Gr.5 PLATED	15	10485	5	SCARIFIER	29	40534	1	BUSHING, ES QUICK HITCH
2	10092	4	HEX BOLT, 5/8" X 2" Gr.5 PLATED	16	11032	1	DECAL, SMALL HARDEE LOGO	30	40713	1	FRAME WELDMENT, HP-72
3	10098	1	HEX BOLT, 5/8"-11 X 5" Gr.5 PLATED	17	11131	2	DECAL, HARDEE BY EVH MFG (5 X 16)	31	40722	2	SLIDE WELDMENT, HP-66 & HP-72
4	10159	10	LOCKNUT W/NYLON INSERT(1/2" PLATED)	18	11636	1	DECAL, LANDSCAPE & DISC HARROW KIT	32	11636-4	2	WARNING DECAL (KIT 11636)
5	10166	21	LOCKNUT, 5/8"-11 PLATED	19	11727	1	SERIAL NUMBER PLATE	33	11636-5	2	DANGER DECAL (KIT 11636)
6	10184	10	LOCKWASHER, 1/2" PLATED	20	11850	1	DECAL, WEB SITE	34	MADEINUSA	1	DECAL, MADE IN THE USA
7	10204	10	FLATWASHER, 1/2" USS PLATED	21	15852	2	RED REFLECTOR DECAL				
8	10212	16	FLAT WASHER, 5/8" S.A.E. PLATED	22	15853	2	YELLOW REFLECTOR DECAL				
9	10262	16	PLOW BOLT, 5/8" X 1-1/2 Gr.5 PLATED	23	17069	2	DECAL, MODEL HP-72				
10	10335	1	HARDEE RED PAINT - (NOT SHOWN)	24	40162	1	SCARIFIER LOCK				
11	10339	2	POP RIVET	25	40163	2	SCARIFIER LOCK				
12	10346	5	LYNCH PIN W/SNAP RING, CAT. 1 & 2	26	40520	2	ES STRUT (CLEVIS STYLE)				
13	10432	2	BLADE, 72" CUTTING EDGE	27	40529	1	ES LEFT A-FRAME - QUICK HITCH				

DWG. NO.	40703	REV.	IR	
REV	CHANGE	BY	DATE	ECN
IR	INITIAL RELEASE	M.J.Z.	8/1/25	1833

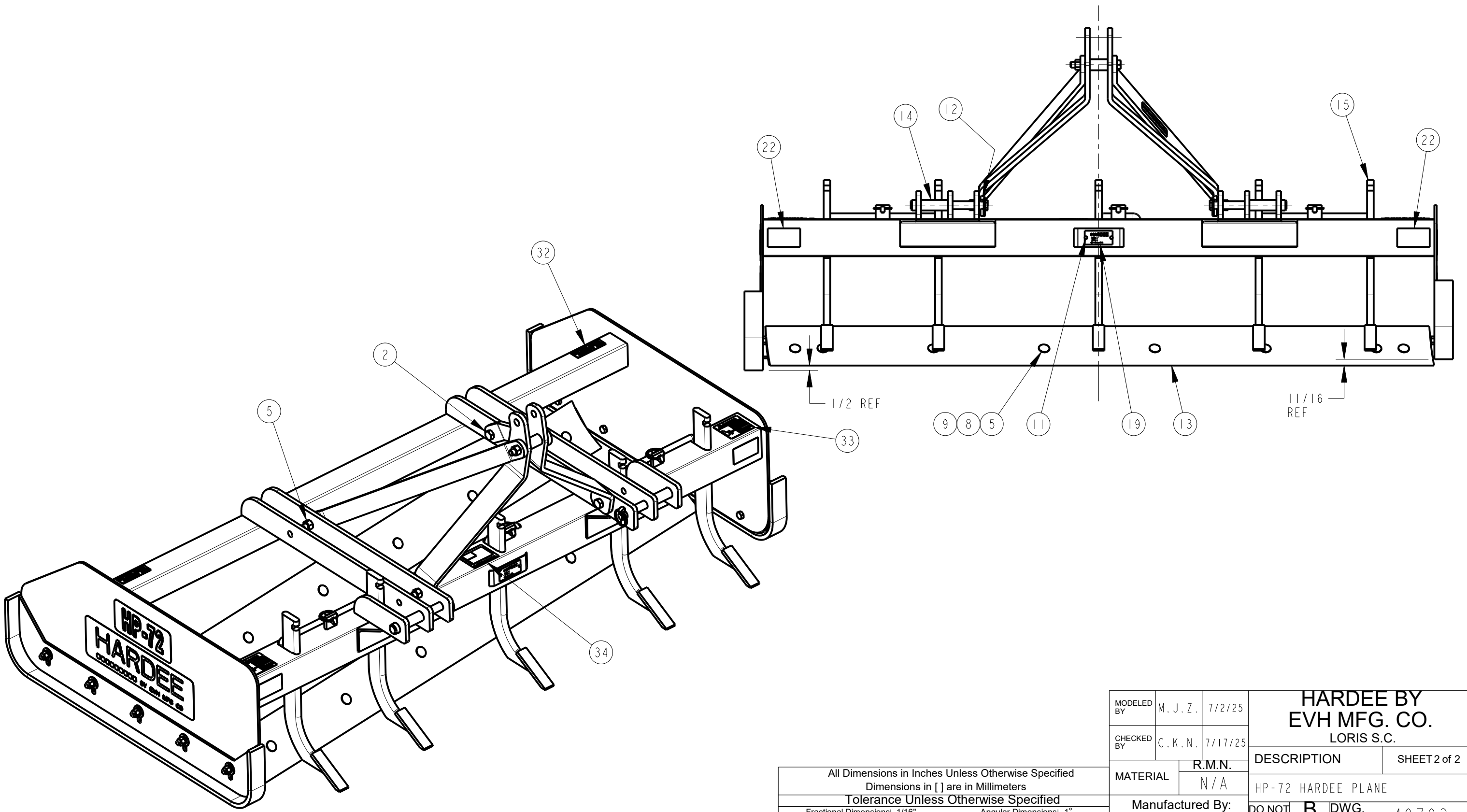


REAR VIEW

All Dimensions in Inches Unless Otherwise Specified
 Dimensions in [] are in Millimeters
 Tolerance Unless Otherwise Specified
 Fractional Dimensions: 1/16" Angular Dimensions: 1°
 Decimal Dim. to Limits Shown All Holes to be +0 -1/32"

MODELED BY	M. J. Z.	7/2/25	HARDEE BY EVH MFG. CO. LORIS S.C.	
CHECKED BY	C. K. N.	7/17/25		
MATERIAL	R.M.N.	N/A	DESCRIPTION	SHEET 1 of 2
Manufactured By: EVH Mfg. Co., LLC			HP-72 HARDEE PLANE	
DO NOT SCALE	B	DWG. NO.	40703	

DWG. NO.	40703	REV.	IR	
REV	CHANGE	BY	DATE	ECN
IR	INITIAL RELEASE	M. J. Z.	8/1/25	1833



All Dimensions in Inches Unless Otherwise Specified
 Dimensions in [] are in Millimeters
Tolerance Unless Otherwise Specified
 Fractional Dimensions: 1/16" Angular Dimensions: 1°
 Decimal Dim. to Limits Shown All Holes to be +0 -1/32"

MODELED BY	M. J. Z.	7/2/25	HARDEE BY EVH MFG. CO. LORIS S.C.	
CHECKED BY	C. K. N.	7/17/25		
MATERIAL	R.M.N. N/A		DESCRIPTION	SHEET 2 of 2
Manufactured By: EVH Mfg. Co., LLC			HP-72 HARDEE PLANE	
DO NOT SCALE	B DWG SIZE	DWG. NO.	40703	