

ITEM NO.	PART NUMBER	QTY REQD.	NOMENCLATURE OR DESCRIPTION
1	31027	1	300 GAL. FRAME WELDMENT
2	14989	1	300 GALLON BLACK POLY TANK
3	30270	1	MIDDLE BAND WELDMENT
4	30268	2	TOP BAND WELDMENT
5	10175	10	LOCK NUT (3/8" PLATED)
6	10202	14	FLAT WASHER (3/8" PLATED)
7	10031	4	HEX BOLT (3/8" X 1" GR.5 PLATED)
8	13353	2	ELBOW (1/2" HB X 3/4" NPT
9	13361	1	1/4" NPT X 3/4" NYLON HB ELBOW
10	10797	13"	3/4" I.D. X 40 PSI HOSE, CLEAR
11	13531	2	5/8" X 3/4" S.S. HS CLAMP
12	10339	2	RIVET FOR SERIAL # PLATE
13	11727	1	SERIAL NUMBER PLATE
14	13860	1	1" CAP (POLY)
15	10773	1	AGITATOR
16	13731	1	NIPPLE 1" MNPT X 13"
17	13079	2	U BOLT, 1/4"-20 X 1-1/4" X 2-1/4" X 1-1/4"
18	10154	2	5/16" LOCKNUT
19	10201	2	5/16" FLATWASHER
20	10799	2	SMALL TANK FITTING NUT
21	10800	2	SMALL VITON O-RING
22	10804	1	LEVEL INDICATOR FLOAT
23	10801	3	3/4"HB X 3/4"NPT "L" W/FLANGE
24	10818	1	1 1/4" TANK FITTING NUT
25	10816	1	3/4" DBL. THRD. POLY TANK FITTING
26	14052	1	FITTING - 1 1/4" AV POLY
27	14077	1	LARGE VITON O-RING
28	13607	1	STRAINER/POLYPRO/50 MESH
29	10802	3	3/4" FNPT NUT W/FLANGE
30	10803	3	3/4" RUBBER SEAL

DWG. NO.			REV.	
30905			B	
REV	CHANGE	BY	DATE	ECN
IR	INITIAL RELEASE	W.E.S.	1/27/99	---
A	CHANGE PART NUMBER	T.R.M.	1/31/00	0743
B	CHANGE SERIAL # PLATE	T.R.M.	6/8/00	0792

ADD THIS REVISION AT NEXT DRAWING CHANGE

See ECR Change #0980 for Details
Add Qty. (1) Each 15852, 15853

All Dimensions in Inches Unless Otherwise Specified
Dimensions in [] are in Millimeters

Tolerances Unless Otherwise Specified
Fractional Dimensions ±1/16" Angular Dimensions ±1°
Decimal Dim. to Limits Shown All holes to $\begin{matrix} +0 \\ \text{be } 1/32 \end{matrix}$

DRAWN BY	W.E.S.	1/27/99	HARDEE BY EVH MFG. CO. LORIS S.C.	
CHECKED BY				
MATERIAL	R.M.N.		APPLICATION	OLD PART #
			300 GAL. SK	----
			DESCRIPTION 300 GALLON TANK AND FRAME ASSEMBLY	
MANUFACTURED BY HARDEE MFG. CO., LLC	DO NOT SCALE	A DWG SIZE	DWG. NO.	SHEET 1 OF 4
			30905	30905

DWG. NO.

30905

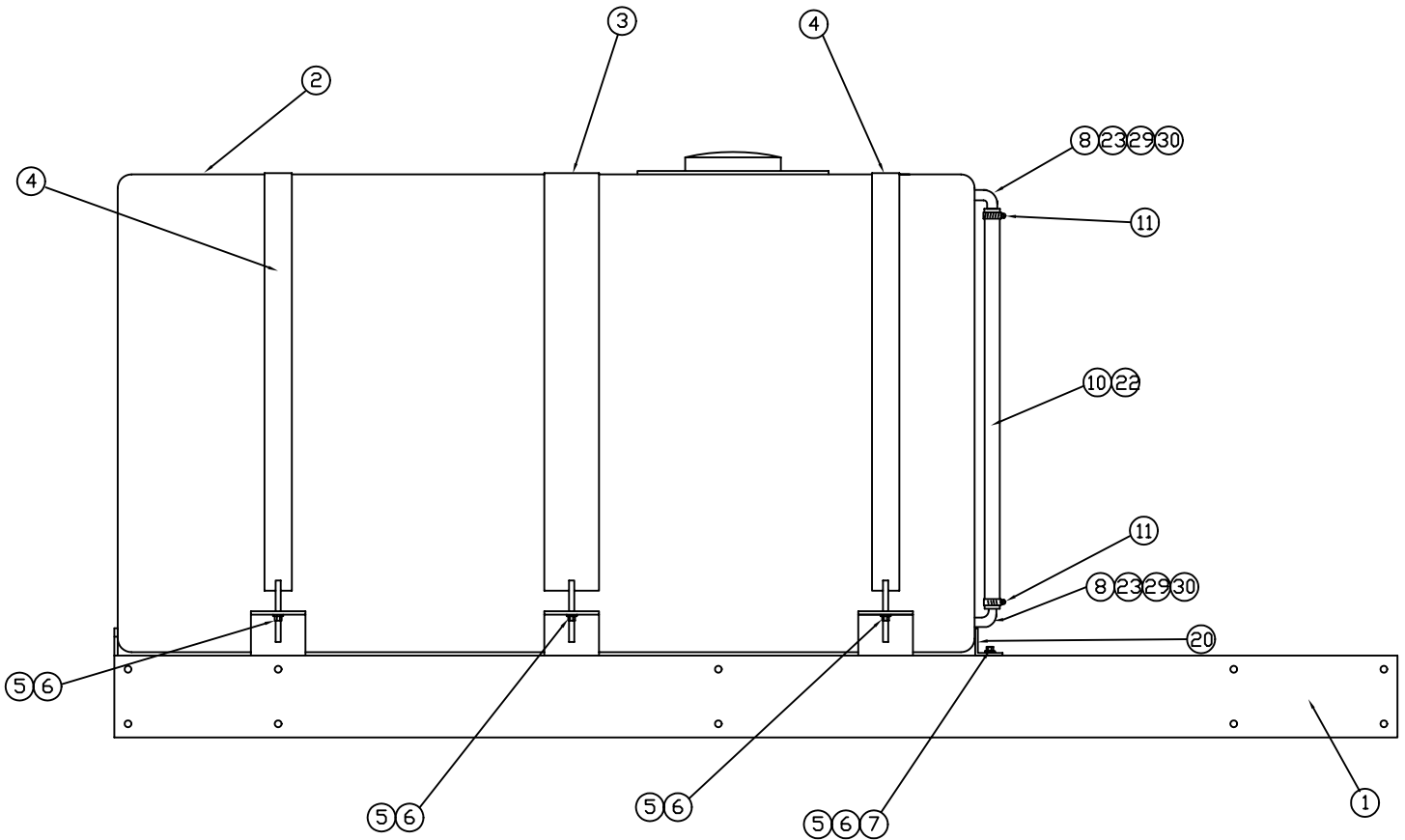
REV.

B

ADD THIS REVISION AT NEXT
DRAWING CHANGE

See ECR Change #0980 for Details
Add Qty. (1) Each 15852, 15853

REV	CHANGE	BY	DATE	ECN
IR	INITIAL RELEASE	W.E.S.	1/27/99	---
A	CHANGE PART NUMBER	T.R.M.	1/31/00	0743
B	CHANGE SERIAL # PLATE	T.R.M.	6/8/00	0792



RIGHT SIDE VIEW

ITEM 15 AGITATOR LOCATED INSIDE TANK ON BOTTOM.

All Dimensions in Inches Unless Otherwise Specified
Dimensions in [] are in Millimeters

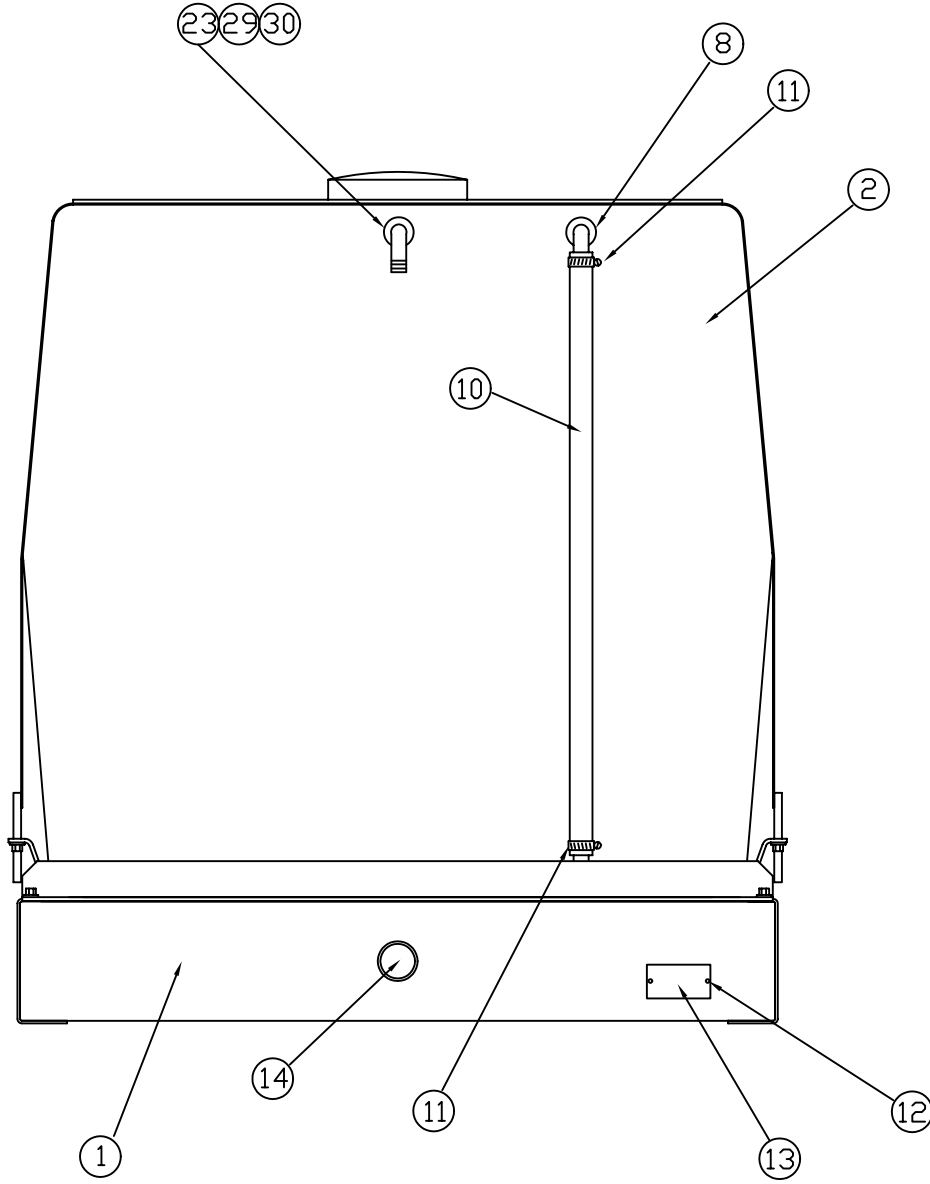
Tolerances Unless Otherwise Specified
Fractional Dimensions $\pm 1/16"$ Angular Dimensions $\pm 1^\circ$
Decimal Dim. to Limits Shown All holes to $\begin{matrix} +0 \\ -0.015 \end{matrix}$

DRAWN BY	W.E.S.	1/27/99	HARDEE BY EVH MFG. CO. LORIS S.C.	
CHECKED BY				
MATERIAL	R.M.N.		APPLICATION	OLD PART #
MANUFACTURED BY HARDEE MFG. CO., LLC			300 GAL. SK	----
			DESCRIPTION 300 GALLON TANK AND FRAME ASSEMBLY	
DO NOT SCALE	A	DWG. NO.	SHEET 2 OF 4	
DWG SIZE		30905		

ADD THIS REVISION AT NEXT DRAWING CHANGE

See ECR Change #0980 for Details
Add Qty. (1) Each 15852, 15853

DWG. NO.		30905		REV.	B
REV	CHANGE	BY	DATE	ECN	
IR	INITIAL RELEASE	W.E.S.	1/27/99	---	
A	CHANGE PART NUMBER	T.R.M.	1/31/00	0743	
B	CHANGE SERIAL # PLATE	T.R.M.	6/8/00	0792	



FRONT VIEW

ITEM ⑮ AGITATOR LOCATED INSIDE TANK ON BOTTOM.

All Dimensions in Inches Unless Otherwise Specified
Dimensions in [] are in Millimeters

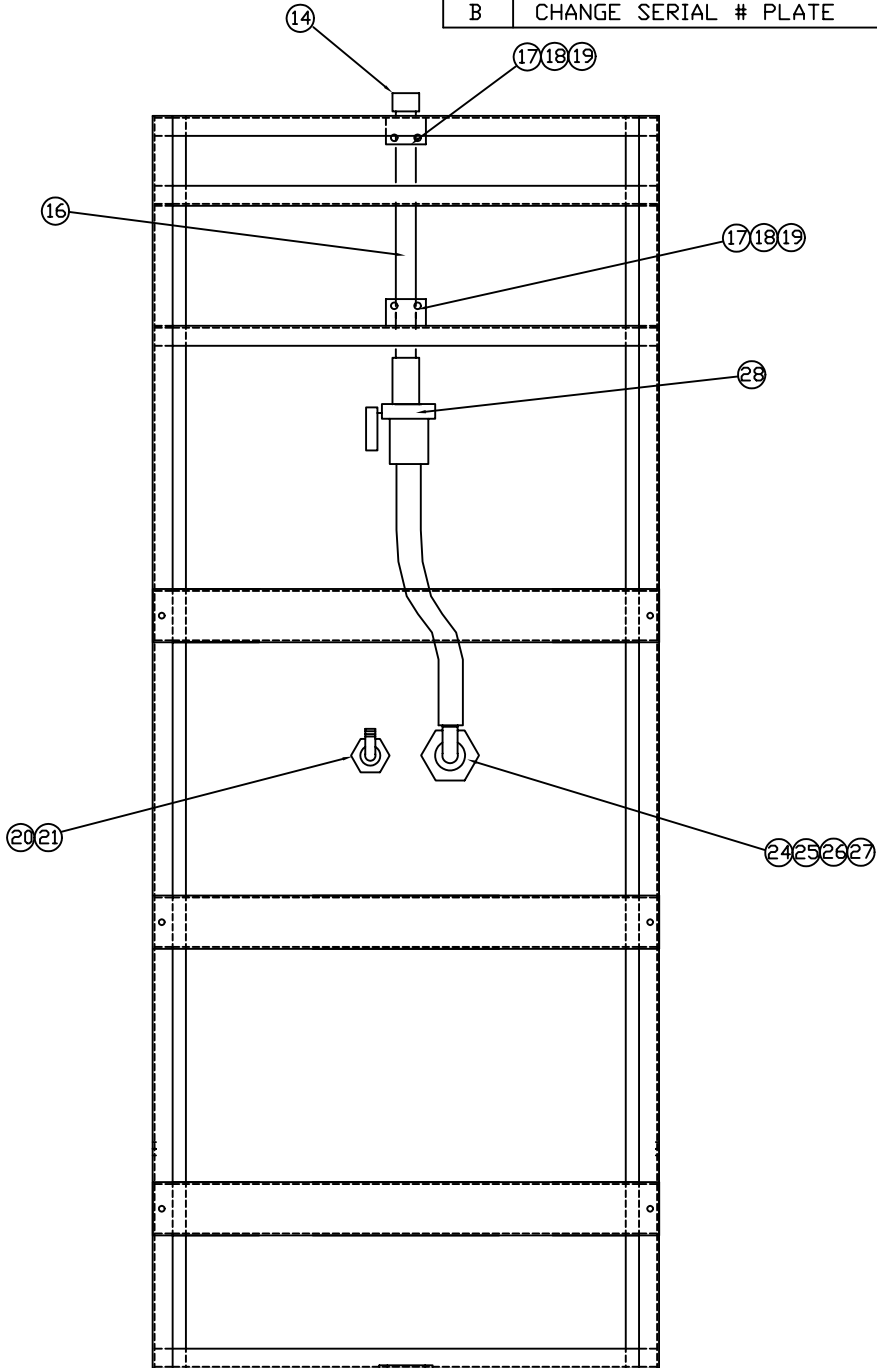
Tolerances Unless Otherwise Specified
Fractional Dimensions $\pm 1/16"$ Angular Dimensions $\pm 1^\circ$
Decimal Dim. to Limits Shown All holes to $b_{+0}^{+0.001}$

DRAWN BY	W.E.S.	1/27/99	HARDEE BY EVH MFG. CO. LORIS S.C.		
CHECKED BY					
MATERIAL	R.M.N.		APPLICATION	OLD PART #	
MANUFACTURED BY HARDEE MFG. CO., LLC			300 GAL SK	----	
			DESCRIPTION 300 GALLON TANK AND FRAME ASSEMBLY		
DO NOT SCALE	A	DWG. NO.	SHEET 3 OF 4		
	DWG SIZE	30905			

ADD THIS REVISION AT NEXT DRAWING CHANGE

See ECR Change #0980 for Details
Add Qty. (1) Each 15852, 15853

DWG. NO.		30905		REV.	B
REV	CHANGE	BY	DATE	ECN	
IR	INITIAL RELEASE	W.E.S.	1/27/99	---	
A	CHANGE PART NUMBER	T.R.M.	1/31/00	0743	
B	CHANGE SERIAL # PLATE	T.R.M.	6/8/00	0792	



BOTTOM VIEW

ITEM 15 AGITATOR LOCATED INSIDE TANK ON BOTTOM.

All Dimensions in Inches Unless Otherwise Specified
Dimensions in [] are in Millimeters

Tolerances Unless Otherwise Specified
Fractional Dimensions $\pm 1/16"$ Angular Dimensions $\pm 1^\circ$
Decimal Dim. to Limits Shown All holes to $b_{+0}^{+0}/1/32$

DRAWN BY	W.E.S.	1/27/99	HARDEE BY EVH MFG. CO. LORIS S.C.	
CHECKED BY				
MATERIAL	R.M.N.		APPLICATION	OLD PART #
MANUFACTURED BY HARDEE MFG. CO., LLC			300 GAL SK	----
			DESCRIPTION	300 GALLON TANK AND FRAME ASSEMBLY
DO NOT SCALE	A	DWG. NO.	SHEET 4 OF 4	
DWG SIZE	30905			