

ITEM NO.	PART NUMBER	QTY REQD.	NOMENCLATURE OR DESCRIPTION
1	10102	1	5/8" X 7" HEX BOLT
2	10154	1	5/16" LOCK NUT
3	10166	11	5/8" LOCK NUT
4	24215	1	FLOATING LINKAGE SPACER
5	10184	4	1/2" LOCKWASHER
6	10185	9	5/8" LOCKWASHER
7	10307	2	CAT 1 HITCH PIN
8	10330	1	SOLID TIRE & RIM
9	10335	.88	RED PAINT
10	10339	2	RIVETS FOR SERIAL # PLATE
11	10893	2	18" TIE STRAP (NOT SHOWN)
12	11001	1	DANGER DECAL
13	11002	2	DANGER KEEP CLEAR DECAL
14	11003	1	CAUTION DECAL
15	11004	1	CAUTION DECAL
16	11005	1	WARNING DECAL
17	11006	1	SAFETY DECAL
18	11008	2	MODEL DECAL FOR C-172-LT
19	11010	2	HARDEE LOGO DECAL
20	15852	2	RED DEFLECTOR
21	11850	1	WEBSITE DECAL
22	11727	1	SERIAL # PLATE
23	11728	1	4 ON 5 HUB W/GRAFOIL BUSHINGS
24	20031	1	ACCESS COVER
25	20036	1	SPINDLE SHAFT TUBE
26	20143	1	REAR BELTING KIT C-172-LT
27	20164	1	FRONT BELTING KIT C-172-LT

DWG. NO.			REV.	
20080			J	
REV	CHANGE	BY	DATE	ECN
F	CHANGE SERIAL # PLATE	T.R.M.	5/26/00	0792
G	ADD TAILWHEEL TIRE & RIM	T.R.M.	5/30/00	0793
H	ADD DWG #70007 ITEMS	R.T.N.	10/05/00	0828
I	CORRECT PART # AND QTY	T.R.M.	5/15/02	0923
J	DELETE BENEFIT/FEATURE TAG	T.R.M.	8/13/02	0930

28	10097	1	5/8" X 4-1/2" HEX BOLT
29	10098	2	5/8" X 5" HEX BOLT
30	20546	2	A-FRAME WELDMENT
31	10110	2	HEX BOLT (3/4" X 1 1/2")
32	10111	2	3/4" X 2" HEX BOLT
33	10168	4	3/4" LOCKNUT
34	10173	1	1 1/4" NUT/WASHER
35	10243	1	COTTER PIN (5/32" X 2")
36	10303	1	GEARBOX COMPLETE
37	10336	.19	GEAR OIL
38	20030	2	TAILWHEEL ADJUSTING BRACKET
39	20032	1	SPACER FOR T/W ADJUSTING BRACKET
40	20035	1	FLOATING LINKAGE WELDMENT
41	20051	1	A-FRAME BRACE C-60
42	20059	1	A-FRAME SUPPORT SPACER
43	20061	1	DECK WELDMENT C-172-LT
44	20183	1	TAIL WHEEL ARM & FORK
45	20244	2	A-FRAME BRACE(SHORT BRACE)
46	20295	1	BLADE HOLDER SUB-ASSY.
47	10096	3	HEX BOLT (5/8" X 4")
48	15854	1	MANUAL HOLDER
49	15860	2	U-NUT (1/4")
50	10002	2	HEX BOLT (1/4")
51	10200	2	FLAT WASHER (1/4")

All Dimensions in Inches Unless Otherwise Specified
Dimensions in [] are in Millimeters

Tolerances Unless Otherwise Specified
Fractional Dimensions ±1/16" Angular Dimensions ±1"
Decimal Dim. to Limits Shown All holes to be ⁺⁰/_{-1/32}

DRAWN BY	M.J.T	3/11/99	EVH MANUFACTURING CO LORIS S.C.	
CHECKED BY				
MATERIAL	R.M.N.		APPLICATION 172	OLD PART # ----
MANUFACTURED BY: EVH MANUFACTURING CO			DESCRIPTION 172 LIFT TYPE ROTARY CUTTER COMPLETE	
DO NOT SCALE	A	DWG. NO.	20080	
		DWG. NO.	20080	
		SHT 1 OF 3		

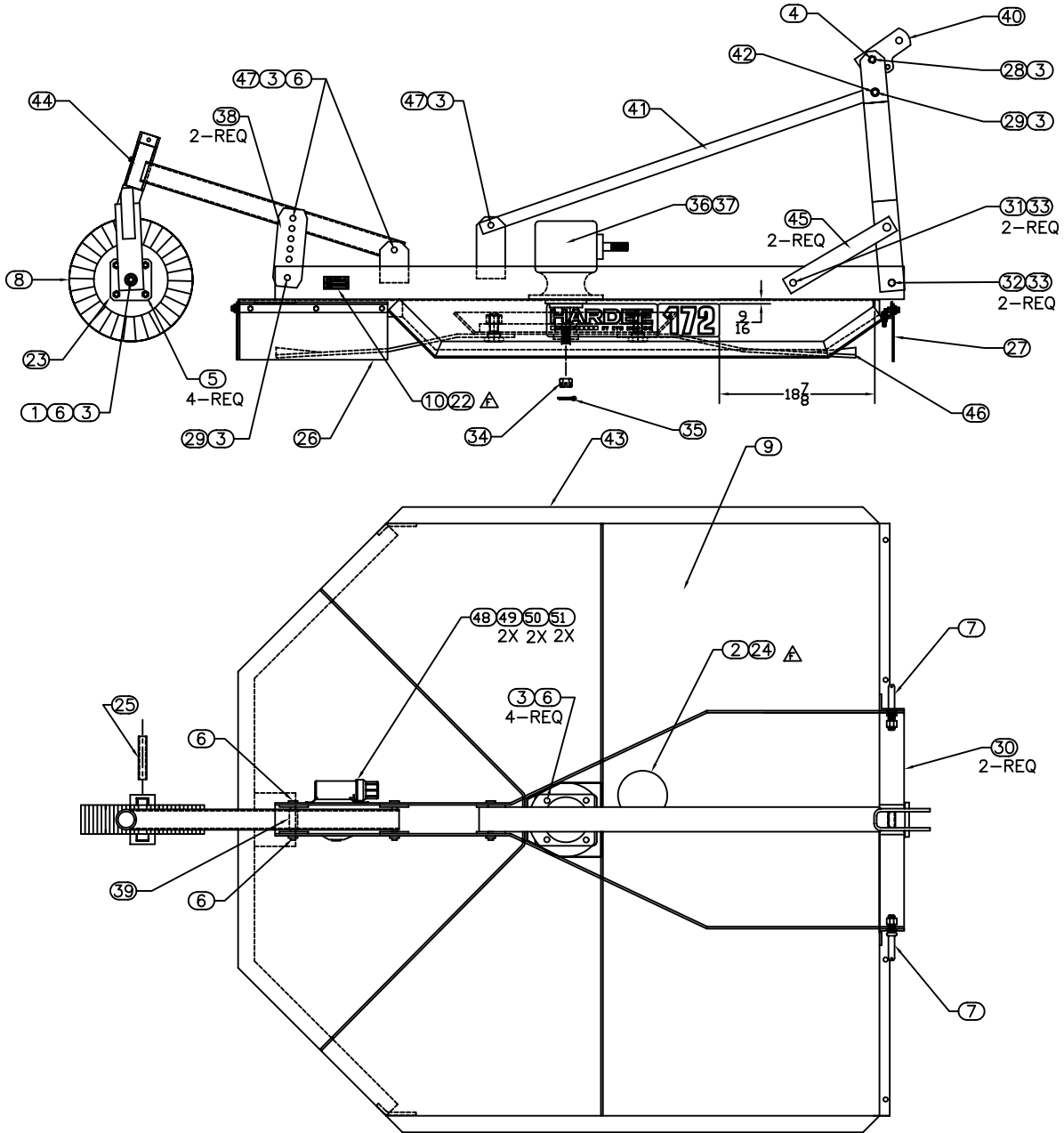
DWG. NO.

20080

REV.

J

REV	CHANGE	BY	DATE	ECN
F	CHANGE SERIAL # PLATE	T.R.M.	5/26/00	0792
G	ADD TAILWHEEL TIRE & RIM	T.R.M.	5/30/00	0793
H	ADD DWG #70007 ITEMS	R.T.N.	10/05/00	0828
I	CORRECT PART # AND QTY	T.R.M.	5/15/02	0923
J	DELETE BENEFIT/FEATURE TAG	T.R.M.	8/13/02	0930



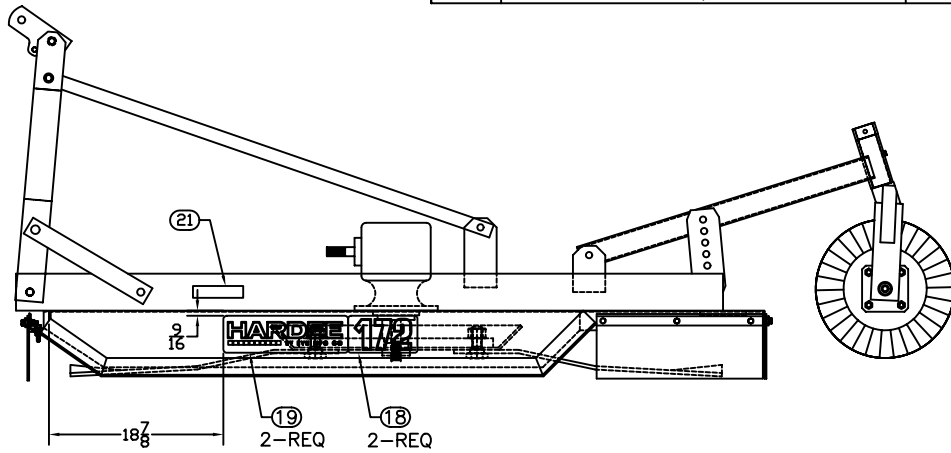
All Dimensions in Inches Unless Otherwise Specified
 Dimensions in [] are in Millimeters

Tolerances Unless Otherwise Specified
 Fractional Dimensions $\pm 1/16"$ Angular Dimensions $\pm 1'$
 Decimal Dim. to Limits Shown All holes to be $\begin{matrix} +0 \\ -1/32 \end{matrix}$

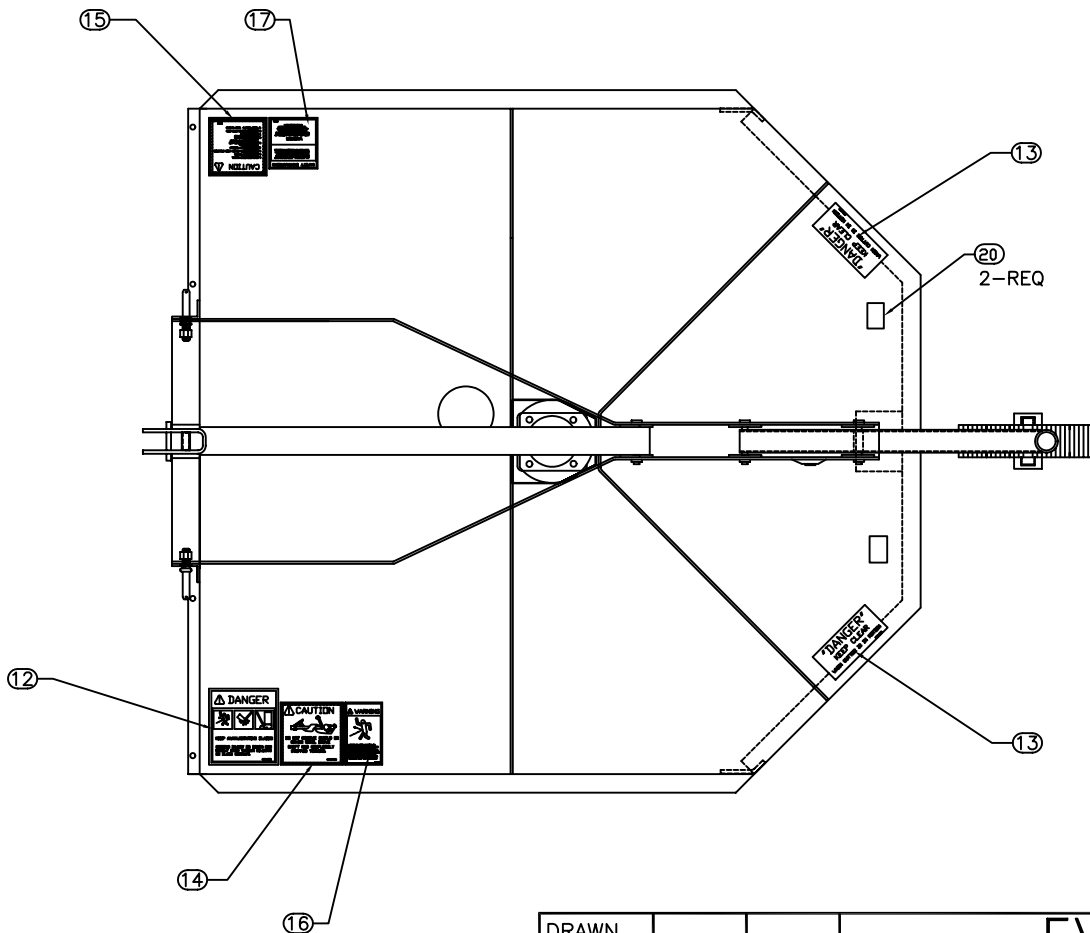
DRAWN BY	M.J.T	3/11/99
CHECKED BY		
MATERIAL	R.M.N.	
MANUFACTURED BY: EVH MANUFACTURING CO		

EVH MANUFACTURING CO LORIS S.C.		APPLICATION	OLD PART #
		172	----
DESCRIPTION 172 LIFT TYPE ROTARY CUTTER COMPLETE			
DO NOT SCALE	A	DWG. NO.	20080
DWG SIZE		SHT 2 OF 3	

DWG. NO.			REV.	
20080			J	
REV	CHANGE	BY	DATE	ECN
F	CHANGE SERIAL # PLATE	T.R.M.	5/26/00	0792
G	ADD TAILWHEEL TIRE & RIM	T.R.M.	5/30/00	0793
H	ADD DWG #70007 ITEMS	R.T.N.	10/05/00	0828
I	CORRECT PART # AND QTY	T.R.M.	5/15/02	0923
J	DELETE BENEFIT/FEATURE TAG	T.R.M.	8/13/02	0930



L.H. SIDE VIEW



DRAWN BY	M.J.T	3/11/99	EVH MANUFACTURING CO LORIS S.C.	
CHECKED BY				
MATERIAL	R.M.N.		APPLICATION	OLD PART #
MANUFACTURED BY: EVH MANUFACTURING CO			172	----
			DESCRIPTION 172 LIFT TYPE ROTARY CUTTER COMPLETE	
DO NOT SCALE	A	DWG. NO.	20080	
	DWG SIZE	SHT 3 OF 3		

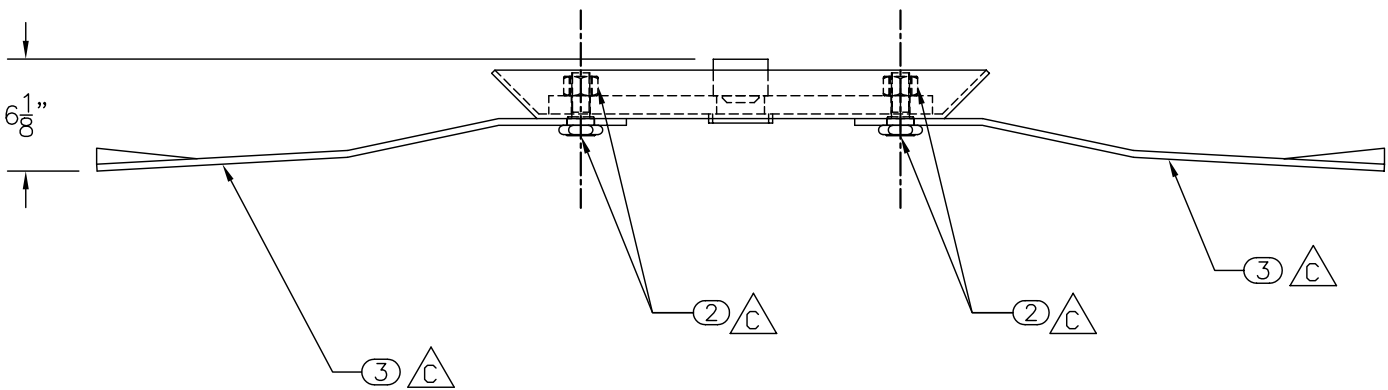
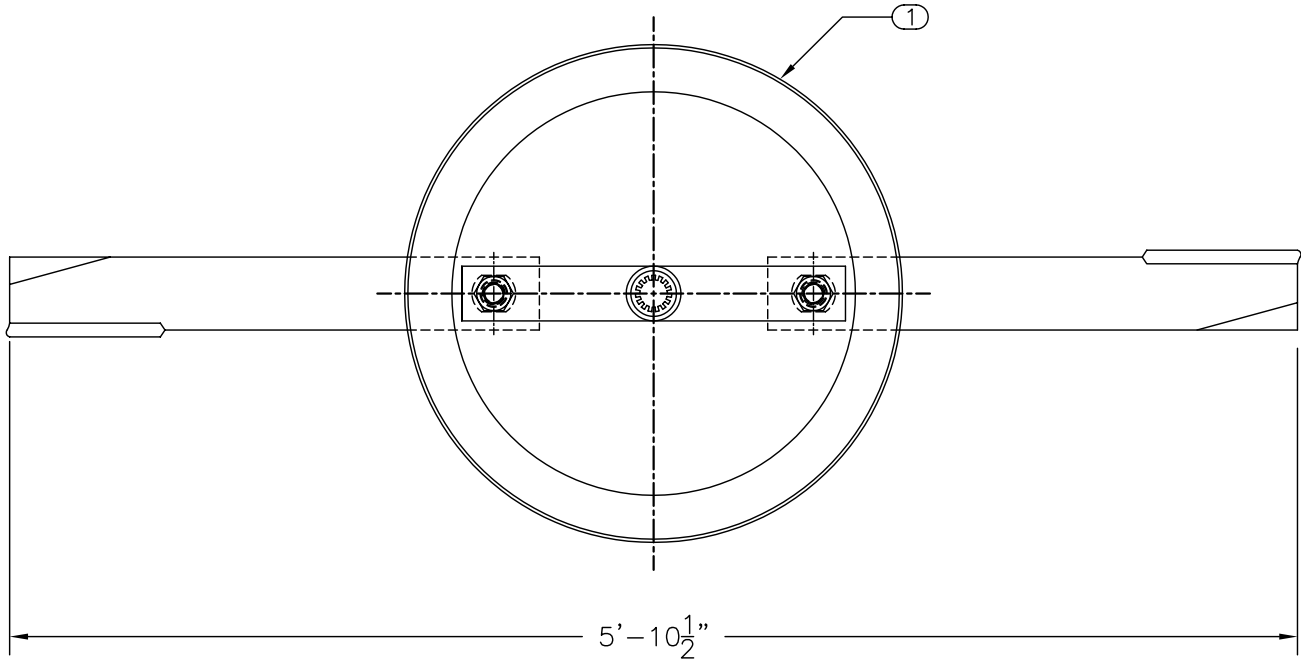
All Dimensions in Inches Unless Otherwise Specified
Dimensions in [] are in Millimeters

Tolerances Unless Otherwise Specified
Fractional Dimensions $\pm 1/16"$ Angular Dimensions $\pm 1^\circ$
Decimal Dim. to Limits Shown All holes to be $+0$
 $-1/32$

ITEM NO.	PART NUMBER	QTY REQD.	NOMENCLATURE OR DESCRIPTION
1	20056	1	BLADE HOLDER WELDMENT
2	10306	2	BLADE BOLT W/LOCKNUT
3	10310	2	BLADE



DWG. NO.			REV.	
20295			C	
REV	CHANGE	BY	DATE	ECN
IR	INITIAL RELEASE	M.J.T	12/1/98	----
A	UP REV TO MATCH BOM	----	-----	0527
B	CHANGE BLADE BOLT PART #	T.R.M.	10/12/00	0832
C	REVISED B.O.M. LIST -REVISED CO. HEADER	T.A.S.	2/4/2011	1403



DRAWN BY	M.J.T	12/1/98
CHECKED BY	C.K.N.	2/4/2011

**HARDEE BY
EVH MFG. CO.
LORIS S.C.**

MATERIAL	R.M.N.
MANUFACTURED BY: HARDEE BY EVH MFG. CO. LORIS S.C.	

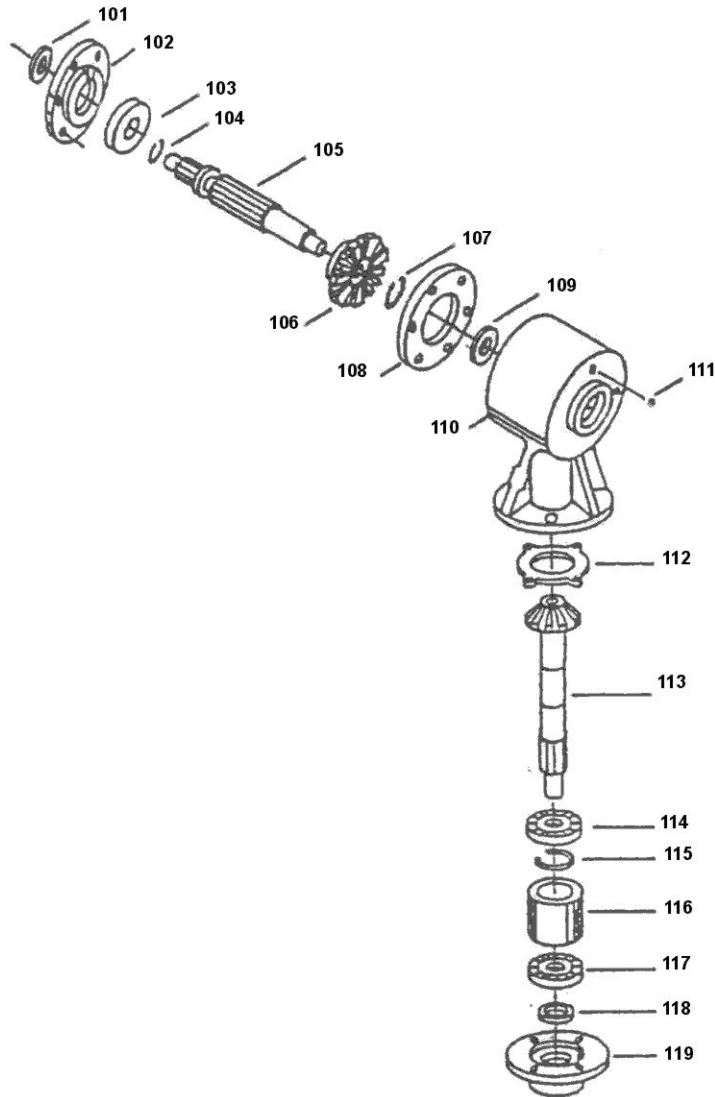
APPLICATION	OLD PART #
C-172-LT	----
DESCRIPTION: BLADE HOLDER W/BLADES COMPLETE	
DO NOT SCALE	DWG. NO.
A DWG SIZE	20295

All Dimensions in Inches Unless Otherwise Specified
Dimensions in [] are in Millimeters

Tolerances Unless Otherwise Specified
Fractional Dimensions $\pm 1/16''$ Angular Dimensions $\pm 1^\circ$
Decimal Dim. to Limits Shown All holes to be $\begin{matrix} +0 \\ -1/32 \end{matrix}$

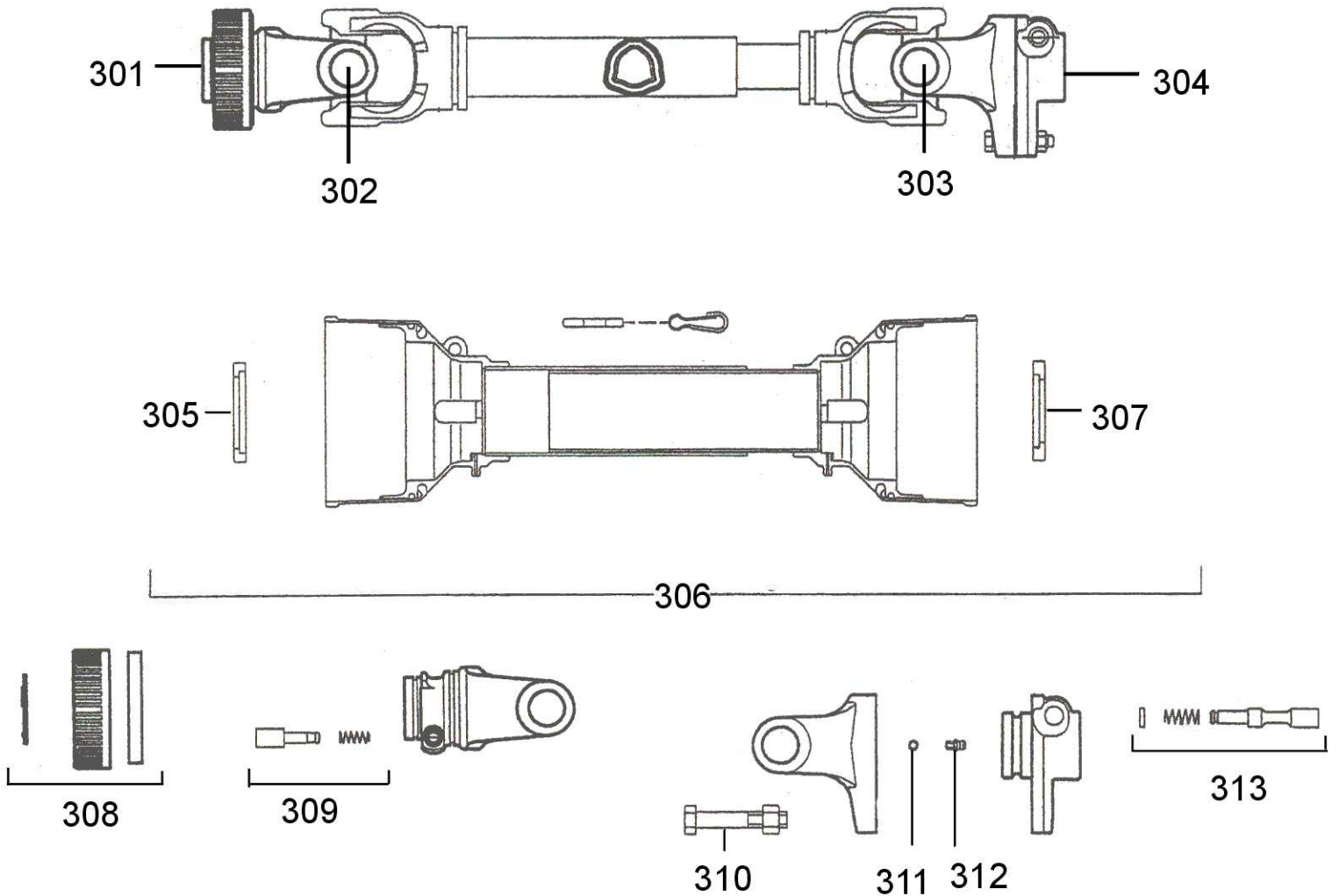
10303 Gearbox

(40 H.P. Gearbox 1:1.47 Ratio)



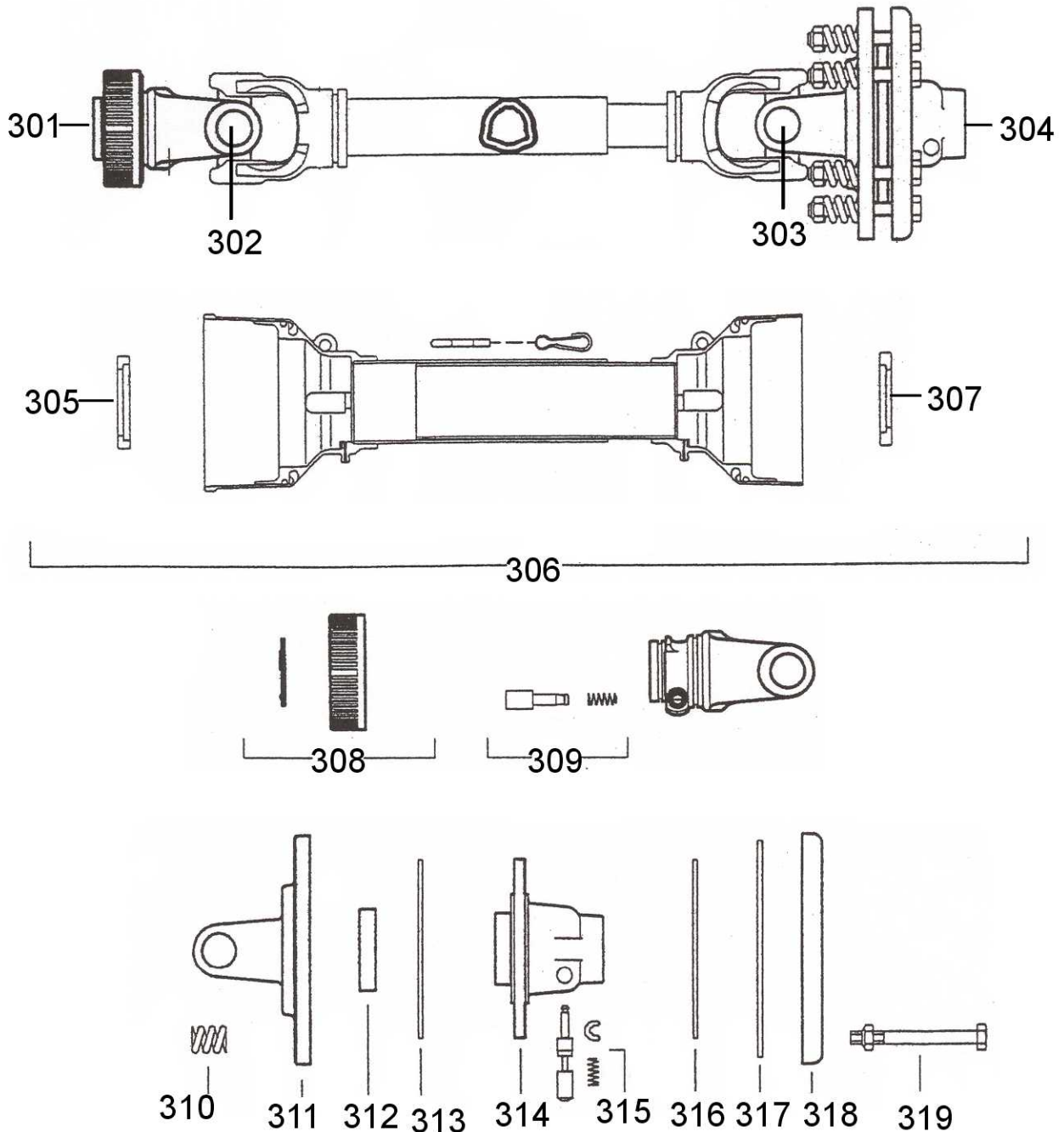
Key #	Part No.	Part Description	Key #	Part No.	Part Description
101	15688	Input seal	111	15664	Pressure relief plug
102	15689	Face plate	112	15753	Gasket
103	15750	Ball bearing	113	15754	Output shaft w/gear
104	15690	Retaining ring	114	15750	Ball bearing
105	15694	Input shaft	115	15695	Retaining ring
106	15751	Input gear	116	15696	Spacer
107	15695	Retaining ring	117	15750	Ball bearing
108	15691	Shim .004	118	15755	Output seal
109	15692	Ball bearing	119	15697	Bottom cap
110	15752	Housing			

11586 Driveshaft



Key #	Part No.	Description	Key #	Part No.	Description
301	11436	Yoke, Tractor end	308	15786	Twist collar kit
302	11437	Cross kit	309	15579	Push pin complete
303	11437	Cross kit	310	10972	Shear bolt
304	11439	Yoke, Shear assem. Imp. End	311	15787	Steel ball
305	11552	Shield bearing	312	15788	Grease fitting
306	11745	Shield kit complete	313	15791	Push pin complete
307	11551	Shield bearing			

11565 Driveshaft



Key #	Part No.	Description	Key #	Part No.	Description
301	11436	Yoke, Tractor end	311	15789	Flange yoke
302	11437	Cross kit	312	15562	Bushing
303	11437	Cross kit	313	00304	Clutch disc
304	11445	Clutch, Imp. End	314	15790	Center hub
305	11552	Shield bearing	315	15791	Push pin complete
306	11747	Shield kit complete	316	00304	Clutch disc
307	11551	Shield bearing	317	15792	Inner plate
308	15786	Twist collar kit	318	15793	Pressure plate
309	15779	Push pin complete	319	15794	Clutch bolt
310	15561	Spring			