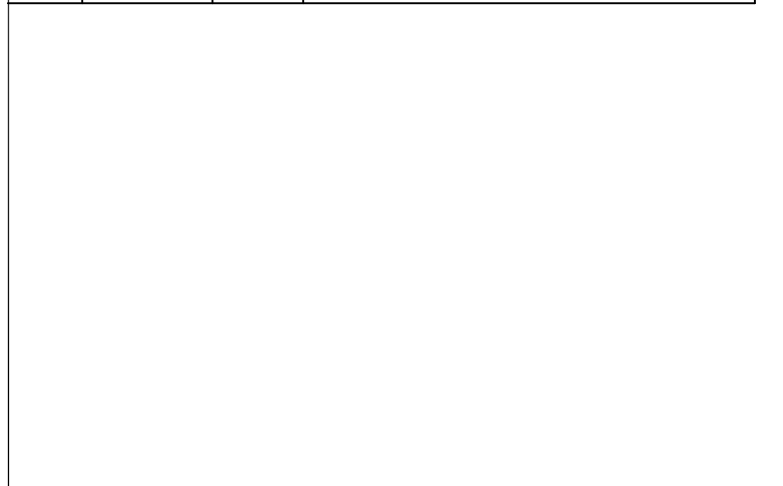


ITEM NO.	PART NUMBER	QTY REQD.	NOMENCLATURE OR DESCRIPTION
1	40004	1	FRAME WELDMENT
2	40351	1	ADJ. PLATE WELDMENT
3	40007	1	LOCK PIN WELDMENT
4	11406	30	TINE
5	40330	1	PIVOT BOLT
6	11413	1	CASTLE NUT 1" FINE THREAD
7	10207	2	FLAT WASHER 1"
8	10307	2	CATEGORY 1 HITCH PIN
9	10420	1	CLIP PIN 3/16" DIA X 3 3/4"
10	11032	2	HARDEE-WILLIAMS LOGO
11	11727	1	SERIAL # PLATE
12	10339	2	RIVET FOR SERIAL # PLATE
13	10276	60	CARRIAGE BOLT 3/8" X 1 1/4"
14	10175	60	3/8" LOCK NUT
15	40325	1	PARKING STAND WELDMENT
16	10393	1	UNIVERSAL CLEVIS PIN (1/2" X 3")
17	10239	1	COTTER PIN (1/8" X 2")
18	10390	1	CLIP PIN (2")
19	10335	.5GAL	RED PAINT
20	11573	2	AR-201 PRODUCT ID DECAL
21	11636	1	SAFETY DECAL SHEET
22	11850	1	WEB DECAL
23	15852	2	RED REFLECTOR DECAL

DWG. NO.			REV.	
40350			E	
REV	CHANGE	BY	DATE	ECN
IR	INITIAL RELEASE	M.J.T	7/1/98	---
A	ADD PROD. ID DECAL	M.J.T	3/26/99	0587
B	CHANGE FRAME WELDMENT P.N.	M.J.T	4/27/99	0599
C	ADD SAFETY DECAL SHEET	M.J.T	7/23/99	0612
D	REMOVE MOUNTING PLATE	M.J.T	8/9/99	0641
E	CHANGE SERIAL # PLATE	T.R.M.	6/9/00	0792

ADD THIS REVISION AT NEXT DRAWING CHANGE

See ECR Change #0980 for Details
Add Qty. (1) Each 15852, 15853

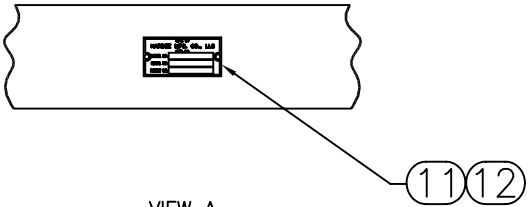


DRAWN BY	M.J.T.	7/28/98	HARDEE BY EVH MFG. CO. LORIS S.C.	
CHECKED BY			APPLICATION	OLD PART #
MATERIAL	R.M.N.		60" RAKE	
MANUFACTURED BY: HARDEE MFG. CO., LLC			DESCRIPTION 60" LANDSCAPE RAKE ASSEMBLY	
DO NOT SCALE	A	DWG. NO.	SHEET 1 OF 4 40350	
	DWG SIZE			

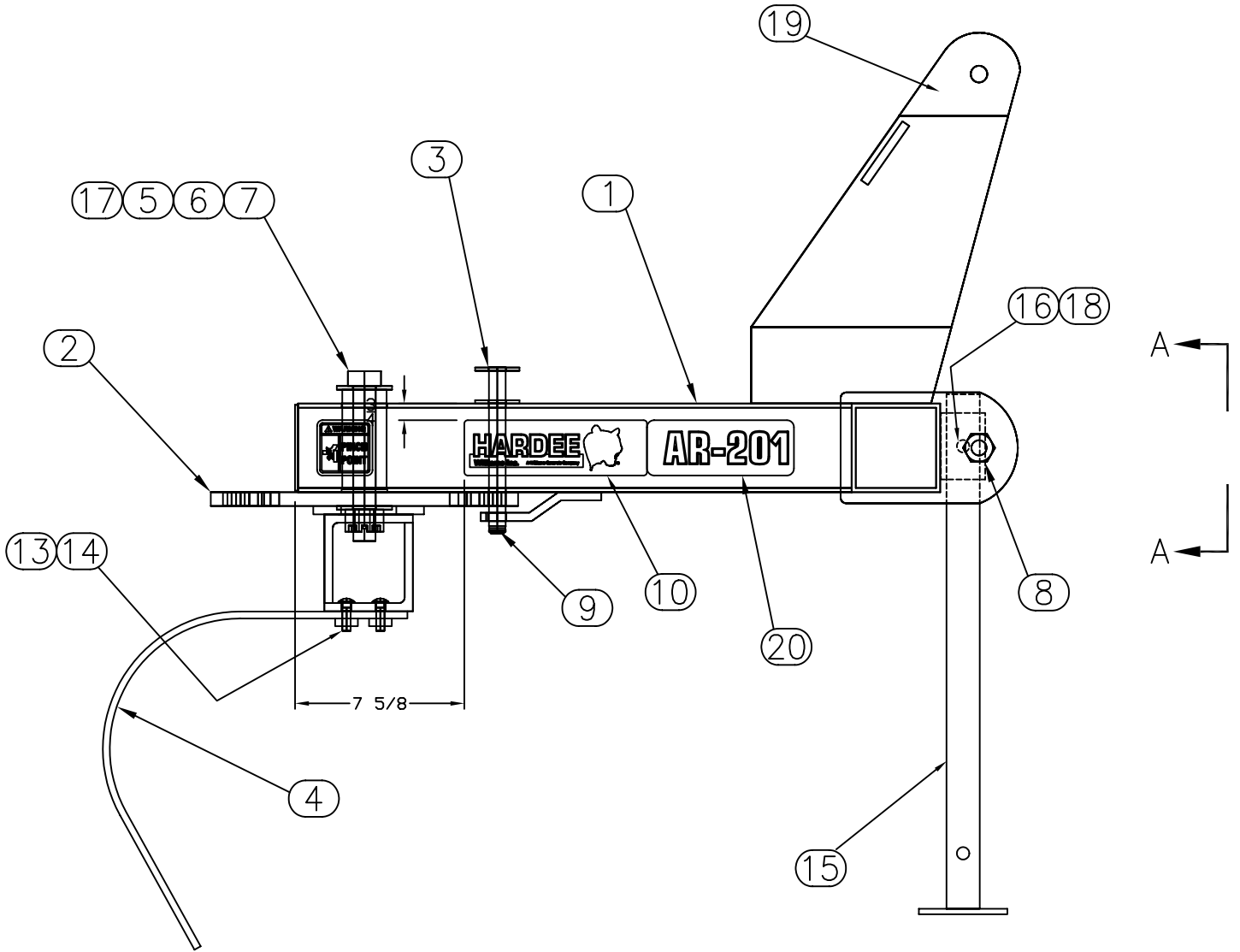
All Dimensions in Inches Unless Otherwise Specified
Dimensions in [] are in Millimeters

Tolerances Unless Otherwise Specified
Fractional Dimensions $\pm 1/16"$ Angular Dimensions $\pm 1^\circ$
Decimal Dim. to Limits Shown All holes to be $+0$
 $-1/32$

DWG. NO.			REV.	
40350			E	
REV	CHANGE	BY	DATE	ECN
IR	INITIAL RELEASE	M.J.T.	7/21/98	---
A	ADD PROD. ID. DECAL	M.J.T.	3/26/99	0587
B	CHANGE FRAME WELDMENT P.N.	M.J.T.	4/27/99	0599
C	ADD SAFETY DECAL SHEET	M.J.T.	7/23/99	0612
D	REMOVE MOUNTIN PLATE	M.J.T.	8/9/99	0641
E	CHANGE SERIAL # PLATE	T.R.M.	6/9/00	0792



VIEW A
SHOWS SERIAL NUMBER
PLATE ONLY



ADD THIS REVISION AT NEXT
DRAWING CHANGE

See ECR Change #0980 for Details
Add Qty. (1) Each 15852, 15853

DRAWN BY	M.J.T.	7/28/98	HARDEE BY EVH MFG. CO. LORIS S.C.	
CHECKED BY				
MATERIAL	R.M.N.		APPLICATION	OLD PART #
MANUFACTURED BY: HARDEE MFG. CO., LLC			60" RAKE	
			DESCRIPTION	60" LANDSCAPE RAKE ASSEMBLY
DO NOT SCALE	A	DWG. NO.	SHEET 2 OF 4 40350	
	DWG SIZE			

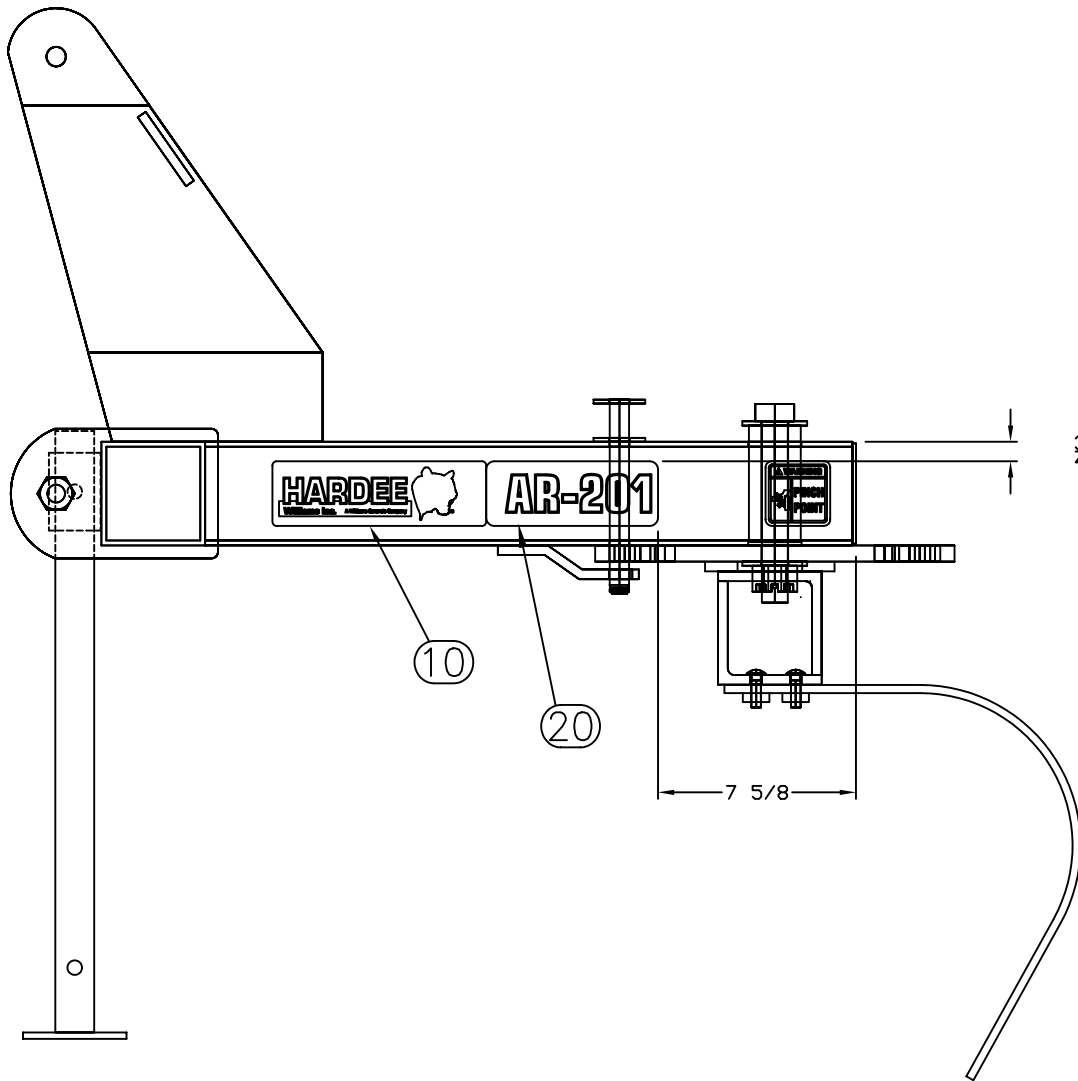
All Dimensions in Inches Unless Otherwise Specified
Dimensions in [] are in Millimeters

Tolerances Unless Otherwise Specified
Fractional Dimensions $\pm 1/16"$ Angular Dimensions $\pm 1^\circ$
Decimal Dim. to Limits Shown All holes to be $+0$
 $-1/32$

**ADD THIS REVISION AT NEXT
DRAWING CHANGE**

See ECR Change #0980 for Details
Add Qty. (1) Each 15852, 15853

DWG. NO.			REV.	
40350			E	
REV	CHANGE	BY	DATE	ECN
IR	INITIAL RELEASE	M.J.T.	7/21/98	---
A	ADD PROD. ID. DECAL	M.J.T.	3/26/99	0587
B	CHANGE FRAME WELDMENT P.N.	M.J.T.	4/27/99	0599
C	ADD SAFETY DECAL SHEET	M.J.T.	7/23/99	0612
D	REMOVE MOUNTIN PLATE	M.J.T.	8/9/99	0641
E	CHANGE SERIAL # PLATE	T.R.M.	6/9/00	0792



All Dimensions in Inches Unless Otherwise Specified
Dimensions in [] are in Millimeters

Tolerances Unless Otherwise Specified
Fractional Dimensions $\pm 1/16"$ Angular Dimensions $\pm 1^\circ$
Decimal Dim. to Limits Shown All holes to be $^{+0}_{-1/32}$

DRAWN BY	M.J.T.	7/28/98	HARDEE BY EVH MFG. CO. LORIS S.C.	
CHECKED BY				
MATERIAL	R.M.N.		APPLICATION	OLD PART #
MANUFACTURED BY: HARDEE MFG. CO., LLC			60" RAKE	
			DESCRIPTION	60" LANDSCAPE RAKE ASSEMBLY
DO NOT SCALE	A	DWG. NO.	SHEET 3 OF 4 40350	
	DWG SIZE			

DWG. NO.

40350

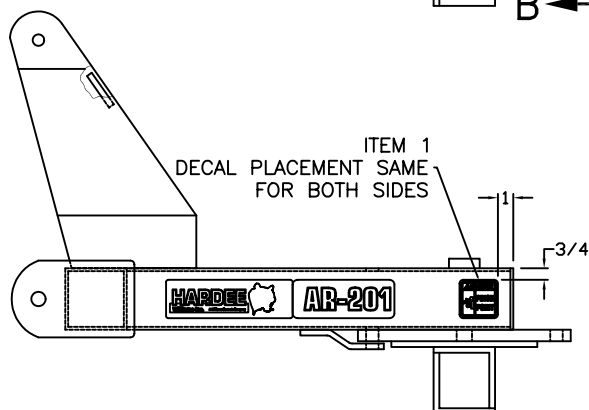
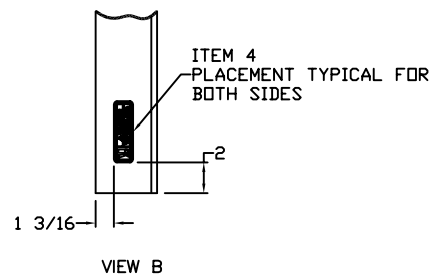
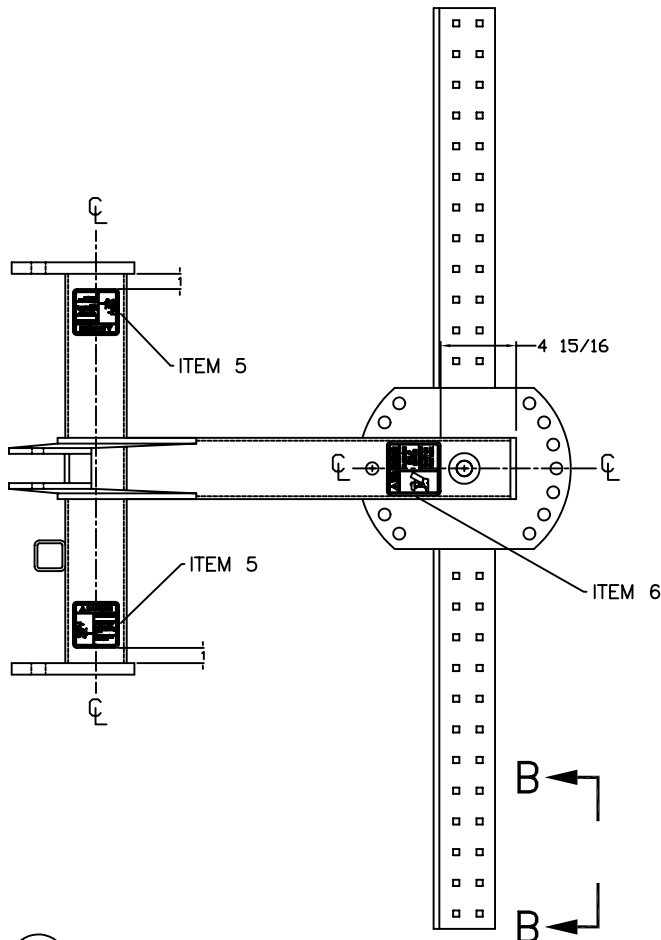
REV.

E

ADD THIS REVISION AT NEXT
DRAWING CHANGE

See ECR Change #0980 for Details
Add Qty. (1) Each 15852, 15853

REV	CHANGE	BY	DATE	ECN
IR	INITIAL RELEASE	W.E.S.	7/7/98	---
A	ADD PRODUCT ID DECAL	M.J.T.	3/25/99	0587
B	CHANGE FRAME WELDMENT P.N.	M.J.T.	4/28/99	0599
C	ADD SAFETY DECAL SHEET	M.J.T.	7/23/99	0612
D	REMOVE MOUNTING PLATE	M.J.T.	8/9/99	0641
E	CHANGE SERIAL # PLATE	T.R.M.	6/9/00	0792



ITEM 21	
DECAL USAGE CHART	
QTY REQD.	NOMENCLATURE OR DESCRIPTION
2	ITEM 1
2	ITEM 4
2	ITEM 5
1	ITEM 6

DRAWN BY	M.J.T.	7/28/98
CHECKED BY		

**HARDEE BY
EVH MFG. CO.
LORIS S.C.**

MATERIAL	R.M.N.
MANUFACTURED BY: HARDEE MFG. CO., LLC	

APPLICATION	60" RAKE	OLD PART #
DESCRIPTION	60" LANDSCAPE RAKE ASSEMBLY	
DO NOT SCALE	A DWG SIZE	DWG. NO. SHEET 4 OF 4 40350

All Dimensions in Inches Unless Otherwise Specified
Dimensions in [] are in Millimeters

Tolerances Unless Otherwise Specified
Fractional Dimensions $\pm 1/16"$ Angular Dimensions $\pm 1^\circ$
Decimal Dim. to Limits Shown All holes to be $+0$
 $-1/32$