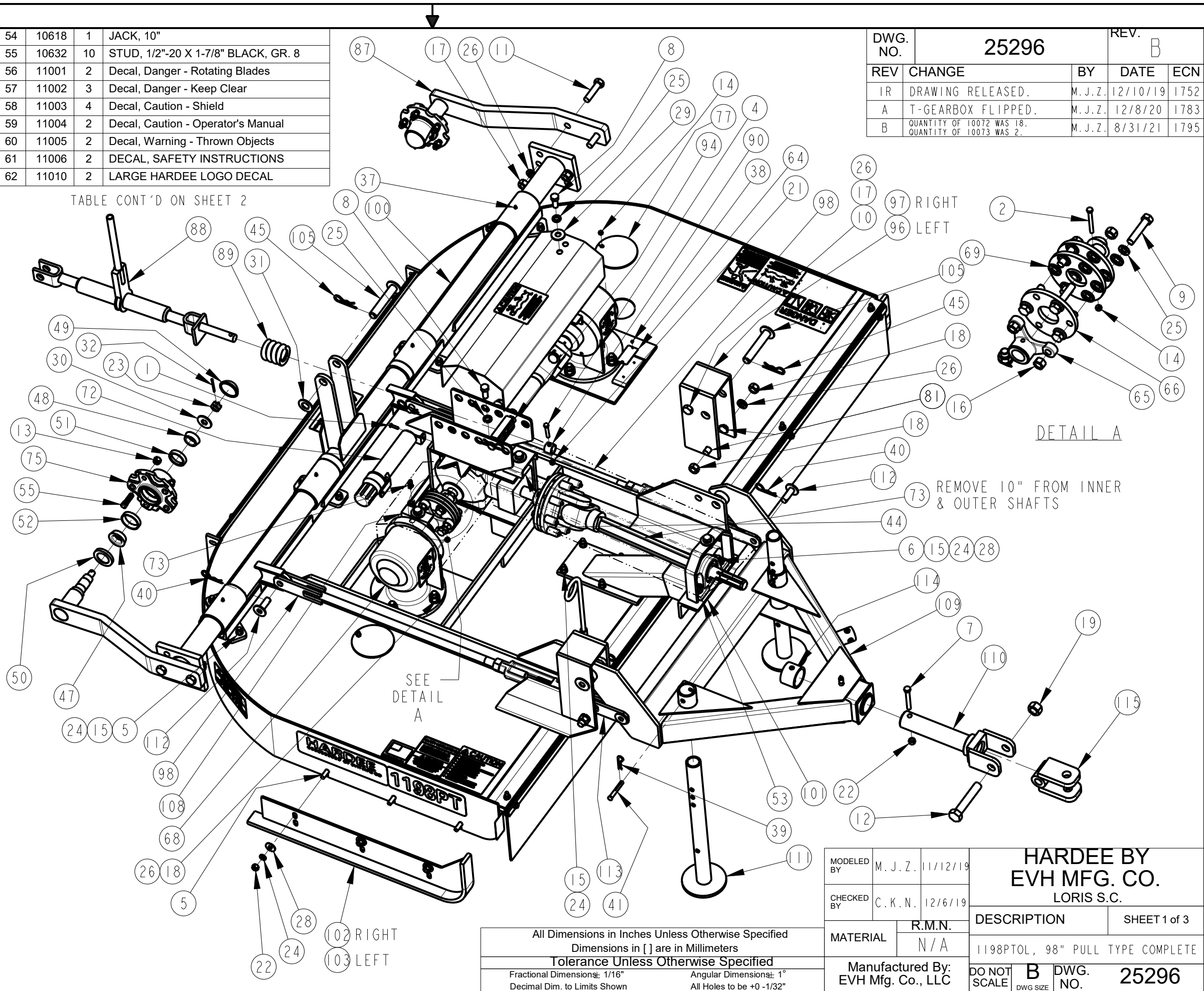


Item	Part Number	Qty.	Description
1	10002	2	HEX BOLT, 1/4-20 X 1" Gr.5 PLATED
2	10021	2	HEX BOLT, 5/16" X 3" Gr.5 Plated
3	10032	16	HEX BOLT, 3/8 x 1-1/2 Gr.5 PLATED
4	10033	1	HEX BOLT, 3/8" x 2-1/2" Gr.5 Plated
5	10072	14	HEX BOLT, 1/2 x 1 1/2 Gr.5 PLATED
6	10073	6	HEX BOLT, 1/2 x 2 Gr.5 Plated
7	10076	1	HEX BOLT, 1/2 X 3 1/2 Gr.5 Plated
8	10091	14	HEX BOLT, 5/8 X 1-1/2 Gr.5 PLATED
9	10094	6	Hex Bolt, 5/8" x 3" Gr.5 Plated
10	10111	2	HEX BOLT, 3/4"-10 X 2" Gr.5 PLATED
11	10113	4	Hex Bolt 3/4" X 3" Gr.5 Plated
12	10134	1	Hex Bolt, 1" x 5-1/2" Gr.5 Plated
13	10150	10	LUG NUT (1/2" - 20 UNF)
14	10154	4	LOCKNUT, 5/16"-18 PLATED
15	10164	14	HEX NUT, 1/2" (Gr.5 Plated)
16	10166	6	LOCKNUT, 5/8"-11 PLATED
17	10167	6	3/4" HEX NUT (Gr.5 PLATED)
18	10168	12	LOCKNUT, 3/4"-10 (Gr.5 Plated)
19	10169	1	HEX NUT, 1"-8 PLATED
20	10173	2	1" Castle Flange Nut
21	10175	17	LOCKNUT, 3/8"-16 Gr.5 PLATED
22	10176	7	LOCKNUT, 1/2" (Gr.5 Plated)
23	10179	2	Castle Nut (3/4") Gr.5 Fine Thread
24	10184	20	LOCKWASHER, 1/2" PLATED
25	10185	20	LOCKWASHER, 5/8" PLATED
26	10186	16	LOCKWASHER, 3/4" PLATED
27	10202	32	FLATWASHER, 3/8" PLATED
28	10204	8	FLATWASHER, 1/2" USS PLATED
29	10205	12	FLATWASHER, 5/8" PLATED
30	10206	2	FLATWASHER, 3/4" PLATED
31	10207	1	FLATWASHER, 1" PLATED
32	10243	2	COTTER PIN, 5/32" X 2" PLATED
33	10252	2	COTTER PIN, 3/16" X 2" PLATED
34	10311	4	BLADE BOLT NUT
35	10312	4	BLADE BOLT LOCKWASHER
36	10313	4	1 1/4" BLADE BOLT
37	10322	6	GREASE FITTING, 1/4-28 Thread
38	10339	2	POP RIVET
39	10390	2	CLIP PIN (1/8 x 2)
40	10391	5	Clip Pin (Hairpin) 3/16 X 3-1/4"
41	10393	2	UNIVERSAL CLIP PIN
42	10413	2	BLADE, COUNTERCLOCKWISE
43	10414	2	BLADE, CLOCKWISE
44	10415	1	T GEARBOX, RC-61
45	10420	5	CLIP PIN (3/16 x 3 3/4)
46	10422	1	OUTRIGGER SHAFT
47	10437	2	INNER BEARING
48	10438	2	OUTER BEARING
49	10439	2	DUST CAP
50	10440	2	GREASE SEAL
51	10441	2	OUTER CUP FOR 10438 BEARING
52	10442	2	INNER CUP FOR 10437 BEARING
53	10615	1	PILLOW BLOCK, 1-1/2"

54	10618	1	JACK, 10"
55	10632	10	STUD, 1/2"-20 X 1-7/8" BLACK, GR. 8
56	11001	2	Decal, Danger - Rotating Blades
57	11002	3	Decal, Danger - Keep Clear
58	11003	4	Decal, Caution - Shield
59	11004	2	Decal, Caution - Operator's Manual
60	11005	2	Decal, Warning - Thrown Objects
61	11006	2	DECAL, SAFETY INSTRUCTIONS
62	11010	2	LARGE HARDEE LOGO DECAL

TABLE CONT'D ON SHEET 2



DWG. NO.	25296		REV. B	
REV	CHANGE	BY	DATE	ECN
IR	DRAWING RELEASED.	M. J. Z.	12/10/19	1752
A	T-GEARBOX FLIPPED.	M. J. Z.	12/8/20	1783
B	QUANTITY OF 10072 WAS 18. QUANTITY OF 10073 WAS 2.	M. J. Z.	8/31/21	1795

MODELED BY	M. J. Z.	11/12/19	<b>HARDEE BY EVH MFG. CO. LORIS S.C.</b>	
CHECKED BY	C. K. N.	12/6/19		
MATERIAL	R.M.N.	N/A	DESCRIPTION	SHEET 1 of 3
Manufactured By: EVH Mfg. Co., LLC			DO NOT SCALE	B DWG. NO. 25296

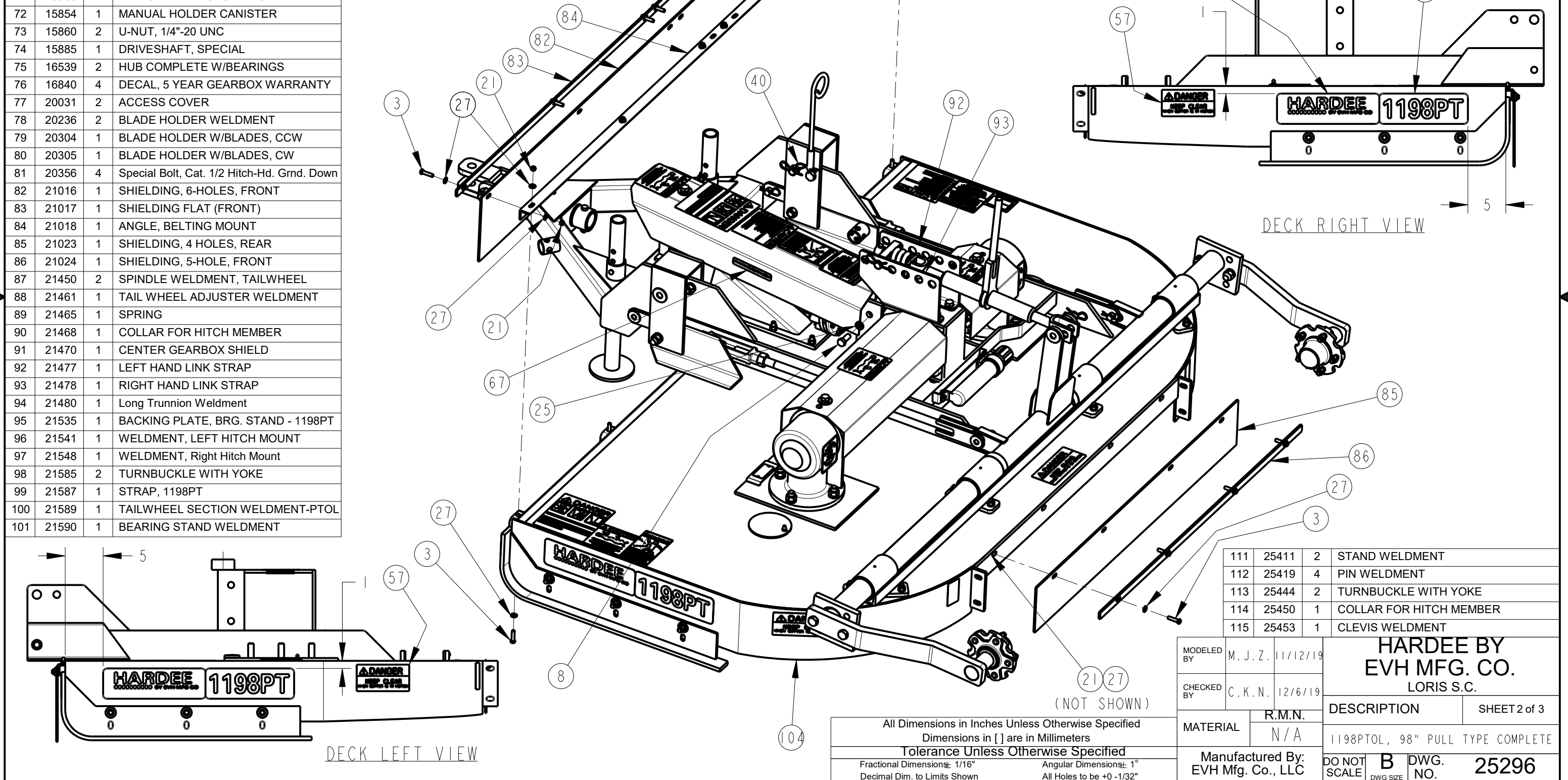
All Dimensions in Inches Unless Otherwise Specified  
 Dimensions in [ ] are in Millimeters  
 Tolerance Unless Otherwise Specified  
 Fractional Dimensions: 1/16" Angular Dimensions: 1°  
 Decimal Dim. to Limits Shown All Holes to be +0 -1/32"

Item	Part Number	Qty.	Description
63	11046	2	DECAL, MODEL 1198PT
64	11727	1	SERIAL NUMBER PLATE
65	11768	2	MAIN HUB, 6 SPLINE
66	11769	3	RUBBER DISC, 6" DIA.
67	11850	1	DECAL, WEB SITE
68	11854	2	GEARBOX, RC-61, RATIO 1:1.93
69	15741	18	WASHER, SPACER
70	15852	2	RED REFLECTOR DECAL
71	15853	2	YELLOW REFLECTOR DECAL
72	15854	1	MANUAL HOLDER CANISTER
73	15860	2	U-NUT, 1/4"-20 UNC
74	15885	1	DRIVESHAFT, SPECIAL
75	16539	2	HUB COMPLETE W/BEARINGS
76	16840	4	DECAL, 5 YEAR GEARBOX WARRANTY
77	20031	2	ACCESS COVER
78	20236	2	BLADE HOLDER WELDMENT
79	20304	1	BLADE HOLDER W/BLADES, CCW
80	20305	1	BLADE HOLDER W/BLADES, CW
81	20356	4	Special Bolt, Cat. 1/2 Hitch-Hd. Grnd. Down
82	21016	1	SHIELDING, 6-HOLES, FRONT
83	21017	1	SHIELDING FLAT (FRONT)
84	21018	1	ANGLE, BELTING MOUNT
85	21023	1	SHIELDING, 4 HOLES, REAR
86	21024	1	SHIELDING, 5-HOLE, FRONT
87	21450	2	SPINDLE WELDMENT, TAILWHEEL
88	21461	1	TAIL WHEEL ADJUSTER WELDMENT
89	21465	1	SPRING
90	21468	1	COLLAR FOR HITCH MEMBER
91	21470	1	CENTER GEARBOX SHIELD
92	21477	1	LEFT HAND LINK STRAP
93	21478	1	RIGHT HAND LINK STRAP
94	21480	1	Long Trunnion Weldment
95	21535	1	BACKING PLATE, BRG. STAND - 1198PT
96	21541	1	WELDMENT, LEFT HITCH MOUNT
97	21548	1	WELDMENT, Right Hitch Mount
98	21585	2	TURNBUCKLE WITH YOKE
99	21587	1	STRAP, 1198PT
100	21589	1	TAILWHEEL SECTION WELDMENT-PTOL
101	21590	1	BEARING STAND WELDMENT

102	25042	1	Slide Weldment - Right Hand
103	25043	1	Slide Weldment - Left Hand
104	25058	1	DECK WELDMENT FOR 1198PTOL
105	25108	3	PIN WELDMENT
106	25123	1	GEARBOX SHIELD FOR T-91126-LT
107	25170	1	GEARBOX SHIELD, 1198RWO/1198LWO
108	25285	2	SHIELD BRACKET WELDMENT
109	25369	1	HITCH WELDMENT, PULL TYPE
110	25383	1	HITCH MEMBER WELDMENT

(TABLE CONT'D BELOW/RIGHT)

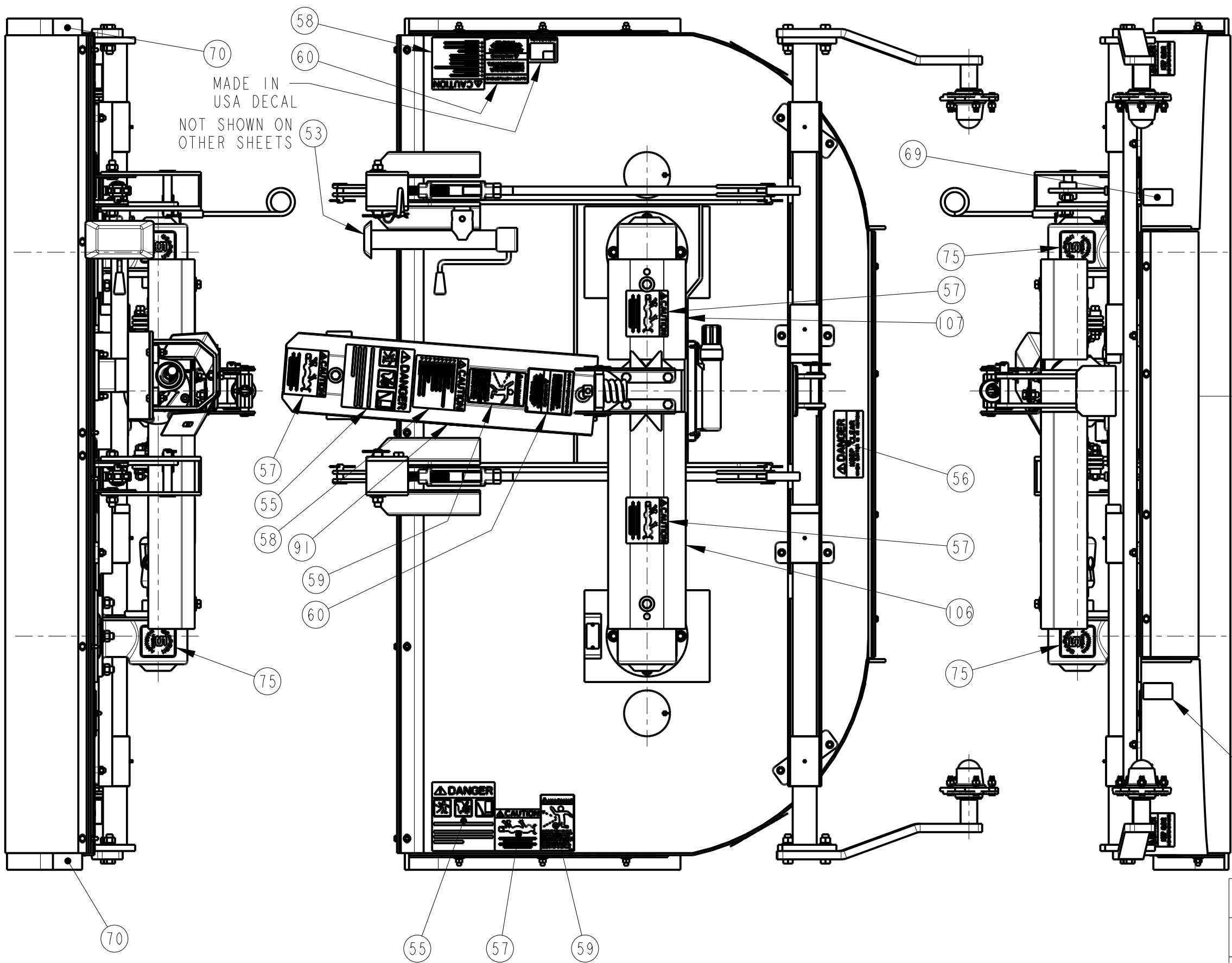
DWG. NO.	25296		REV. B	
REV	CHANGE	BY	DATE	ECN
IR	DRAWING RELEASED.	M. J. Z.	12/10/19	1752
A	T-GEARBOX FLIPPED. 21589 WAS 21578.	M. J. Z.	12/8/20	1783
B	ADDED P/N 21535.	M. J. Z.	8/31/21	1795



111	25411	2	STAND WELDMENT
112	25419	4	PIN WELDMENT
113	25444	2	TURNBUCKLE WITH YOKE
114	25450	1	COLLAR FOR HITCH MEMBER
115	25453	1	CLEVIS WELDMENT

MODELED BY	M. J. Z.	11/12/19	<b>HARDEE BY EVH MFG. CO. LORIS S.C.</b>	
CHECKED BY	C. K. N.	12/6/19		
MATERIAL	R.M.N.		DESCRIPTION	SHEET 2 of 3
	N/A		1198PTOL, 98" PULL TYPE COMPLETE	
Manufactured By: EVH Mfg. Co., LLC			DO NOT SCALE	B DWG. NO. 25296

All Dimensions in Inches Unless Otherwise Specified  
 Dimensions in [ ] are in Millimeters  
 Tolerance Unless Otherwise Specified  
 Fractional Dimensions: 1/16" Angular Dimensions: 1°  
 Decimal Dim. to Limits Shown All Holes to be +0 -1/32"



MADE IN  
USA DECAL  
NOT SHOWN ON  
OTHER SHEETS

DWG. NO.	25296		REV.	B
REV	CHANGE	BY	DATE	ECN
IR	DRAWING RELEASED.	M. J. Z.	12/10/19	1752
A	LEFT & RIGHT BLADES SHOWN PROPERLY.	M. J. Z.	12/8/20	1783
B	ADDED ITEMS 10073 & 21535.	M. J. Z.	8/31/21	1795

TORQUE TO  
600 FT-LBS

TORQUE TO 800 FT-LBS

41 RIGHT  
42 LEFT

(HITCH & TAILWHEEL ADJUSTER NOT SHOWN)

All Dimensions in Inches Unless Otherwise Specified  
Dimensions in [ ] are in Millimeters  
Tolerance Unless Otherwise Specified  
Fractional Dimensions: 1/16" Angular Dimensions: 1°  
Decimal Dim. to Limits Shown All Holes to be +0 -1/32"

MODELED BY	M. J. Z.	11/12/19
CHECKED BY	C. K. N.	12/6/19
MATERIAL	R.M.N.	N/A
Manufactured By:	EVH Mfg. Co., LLC	

<b>HARDEE BY EVH MFG. CO. LORIS S.C.</b>	
DESCRIPTION	SHEET 3 of 3
1198PTOL, 98" PULL TYPE COMPLETE	
DO NOT SCALE	B DWG. NO. 25296