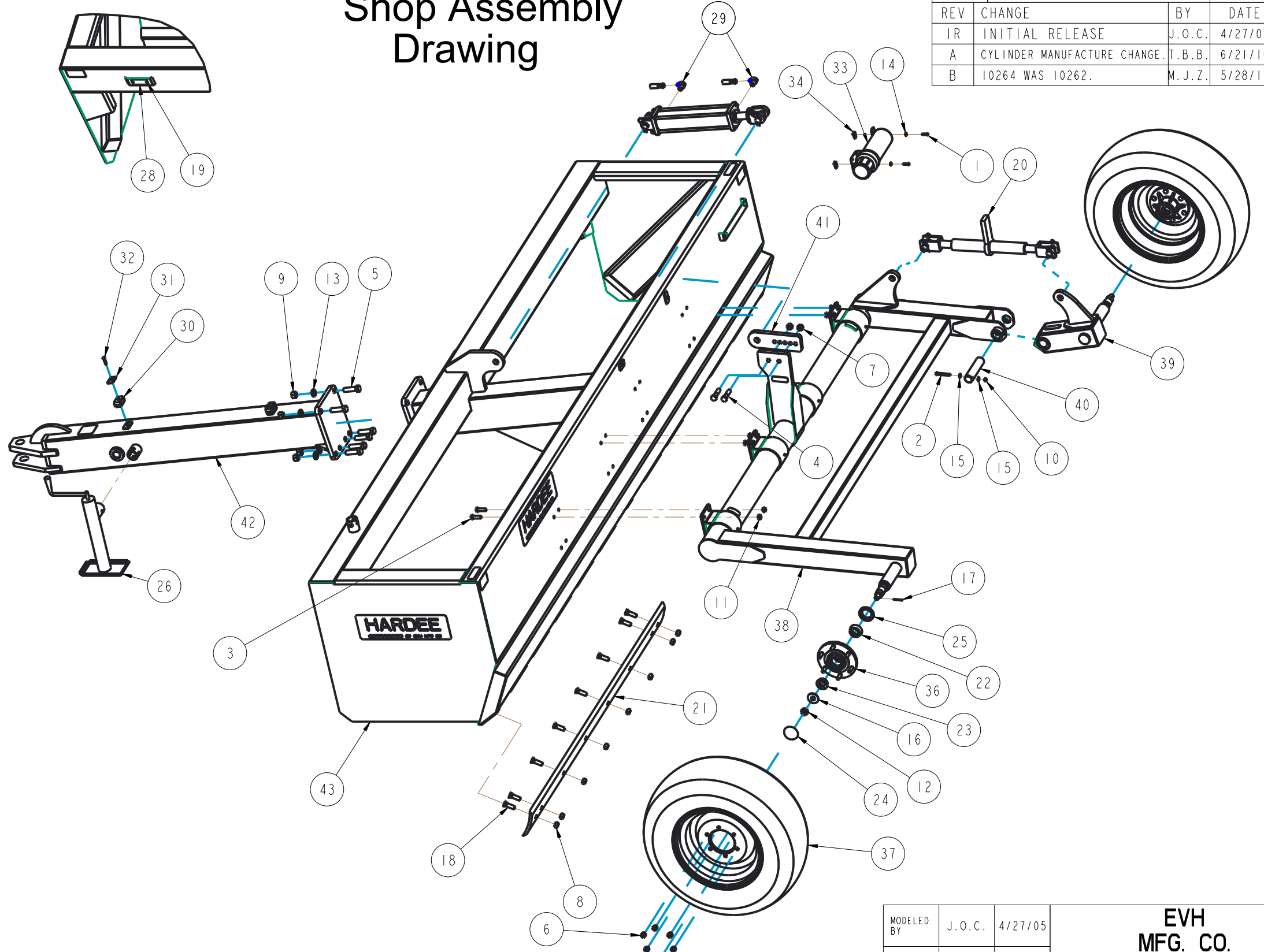


Item	Part Number	Qty.	Description
1	10002	2	Hex Bolt, 1/4"-20 X 1" Gr.5 Plated
2	10034	1	Hex Bolt 3/8" x 2-1/2" gr.5 plated
3	10072	16	Hex Bolt 1/2 x 1 1/2 gr.5 plated
4	10093	2	Hex Bolt 5/8" x 2-1/2" gr.5 plated
5	10112	6	Hex Bolt 3/4" X 2-1/2" gr.5 Plated
6	10150	12	Lug Nut (1/2" - 20 UNF)
7	10156	2	Nylon Lock Nut, 5/8" Plated
8	10166	16	Lock Nut 5/8"-11 plated
9	10167	6	3/4" HEX NUT (Gr.5 PLATED)
10	10175	1	3/8"-16 Locknut (Gr.5 Plated)
11	10176	16	1/2" Locknut (Gr.5 Plated)
12	10179	2	Castle Nut (3/4") Gr.5 Fine Thread
13	10186	6	Lockwasher 3/4" Plated
14	10200	2	1/4" Plated Flatwasher
15	10202	2	3/8" Flatwasher (Plated)
16	10206	2	Flatwasher 3/4 plated
17	10243	2	Cotter Pin 5/32" X 2" Plated
18	10264	16	Plow Bolt 5/8 x 2 Gr.5 Plated
19	10339	2	POP RIVET
20	10343	1	Ratchet Jack
21	10432	2	72" CUTTING EDGE
22	10437	2	INNER BEARING
23	10438	2	OUTER BEARING
24	10439	2	DUST CAP
25	10440	2	GREASE SEAL
26	10618	1	10" JACK
27	10924	2	3/8" X 163" HYD. HOSE (NOT SHOWN)
28	11727	1	SERIAL NUMBER PLATE
29	13905	2	6-M-JIC X 8-M-NPT 90 Deg. Elbow
30	15291	2	5/8" Tube Clamp Set - Twin, Polypropylene
31	15293	2	Cover Plate - Twin, Group 2
32	15294	2	Hex Bolt 5/16"-18 X 1-1/4" gr.5 Plated
33	15854	1	Manual Holder
34	15860	2	U-Nut, 1/4"-20
35	16754	1	Cylinder, 3" X 8"
36	25203	2	WHEEL HUB W/ HARDWARE
37	30324	2	11L X 15 Tire, Tube and Rim
38	40433	1	Tailwheel Frame Weldment
39	40451	1	Tilt Arm Weldment
40	40456	1	Pin, Tilt Arm
41	40457	1	Cylinder Adjusting Bracket
42	40458	1	Tongue Weldment, Standard
43	40490	1	Frame Weldment, PTS 144

Shop Assembly Drawing



DWG. NO.	40401		REV.	B	
REV	CHANGE	BY	DATE	ECN	
IR	INITIAL RELEASE	J.O.C.	4/27/05	---	
A	CYLINDER MANUFACTURE CHANGE	T.B.B.	6/21/16	1655	
B	10264 WAS 10262.	M.J.Z.	5/28/19	1747	

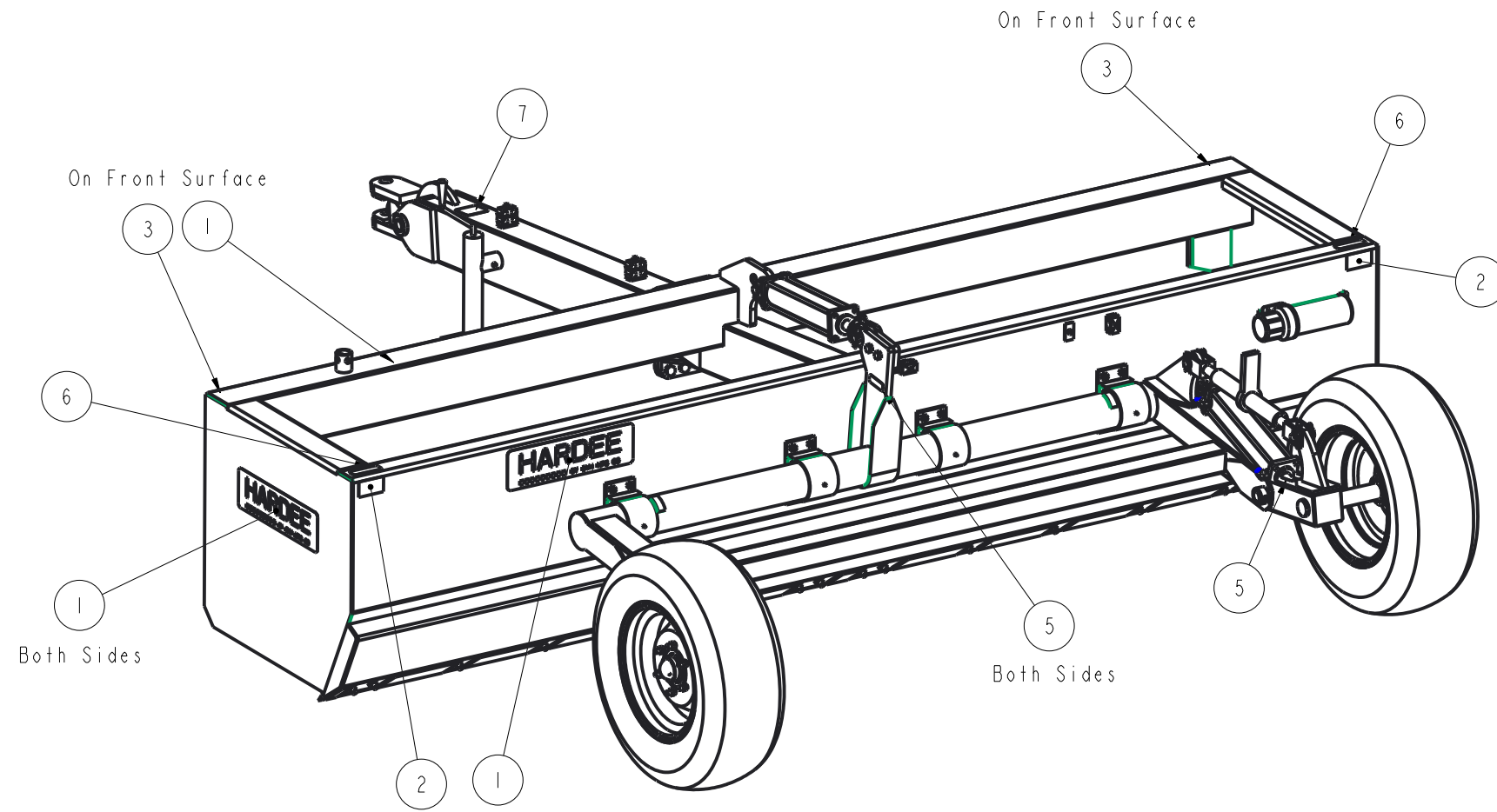
All Dimensions in Inches Unless Otherwise Specified
 Dimensions in [] are in Millimeters
 Tolerance Unless Otherwise Specified
 Fractional Dimensions ± 1/16" Angular Dimensions ± 1°
 Decimal Dim. to Limits Shown All Holes to be +0 -1/32"

MODELED BY	J.O.C.	4/27/05	EVH MFG. CO. LORIS S.C.	
DRAWN BY	J.O.C.	4/27/05		
MATERIAL	R.M.N.	N/A	DESCRIPTION	SHEET 1 of 3
Manufactured By: EVH Mfg. Co., LLC			PTS 144 COMPLETE	
DO NOT SCALE	B	DWG. NO.	40401	

Item	Part Number	Qty.	Description
1	11131	4	Large Hardee Logo Decal
2	15852	2	RED REFLECTOR DECAL
3	15853	2	Yellow Reflector Decal
4	16754	1	Cylinder, 3" X 8"
5	11636-ITEM_3	3	Pinch Point Decal (3 X 1)
6	11636-ITEM_4	2	Toe Crush Decal (4 X 1.25)
7	11636-ITEM_5	1	Crushing Hazard Decal (3 X 3)

DWG. NO.	40401			REV.	B
REV	CHANGE	BY	DATE	ECN	
IR	INITIAL RELEASE	J.O.C.	4/27/05	---	
A	CYLINDER MANUFACTURE CHANGE	T.B.B.	6/21/16	1655	
B	CHANGES ARE ON SHEETS 1 & 3.	M.J.Z.	5/28/19	1747	

Decal Placement Drawing

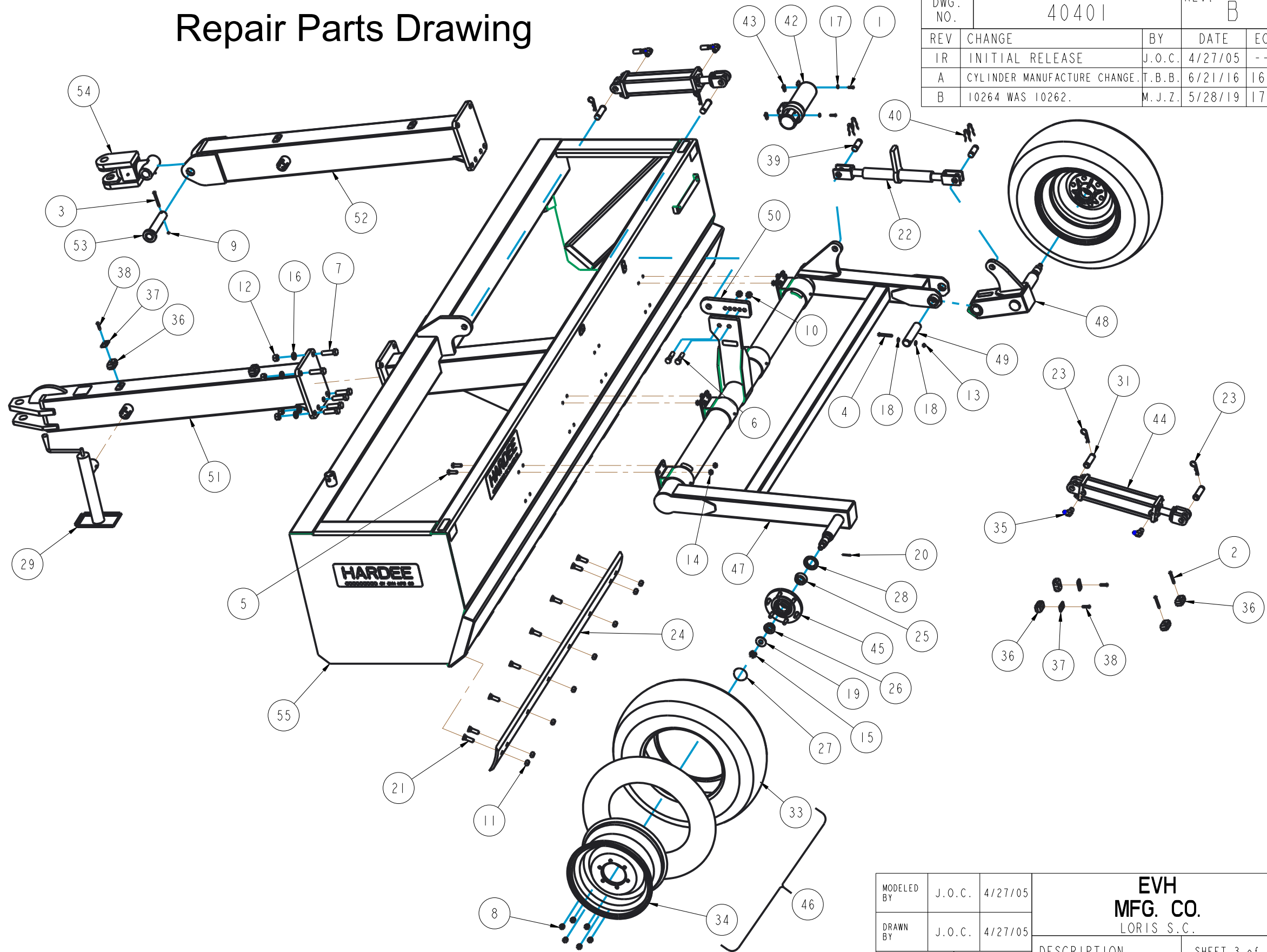


All Dimensions in Inches Unless Otherwise Specified
 Dimensions in [] are in Millimeters
 Tolerance Unless Otherwise Specified
 Fractional Dimensions ± 1/16"
 Decimal Dim. to Limits Shown
 Angular Dimensions ± 1°
 All Holes to be +0 -1/32"

MODELED BY	J.O.C.	4/27/05	HARDEE BY EVH MFG. CO. LORIS S.C.	
DRAWN BY	J.O.C.	4/27/05		
MATERIAL	R.M.N. N/A	DESCRIPTION		SHEET 2 of 3
Manufactured By: EVH Mfg. Co., LLC			PTS 144 COMPLETE	
DO NOT SCALE	B DWG. NO.	40401		

Item	Part Number	Qty.	Description
1	10002	2	Hex Bolt, 1/4"-20 X 1" Gr.5 Plated
2	10014	2	Hex Bolt 5/16" X 2-1/4" gr.5 Plated
3	10021	1	Hex Bolt 5/16" X 3" gr.5 Plated
4	10034	1	Hex Bolt 3/8" x 2-1/2" gr.5 plated
5	10072	16	Hex Bolt 1/2 x 1 1/2 gr.5 plated
6	10093	2	Hex Bolt 5/8" x 2-1/2" gr.5 plated
7	10112	6	Hex Bolt 3/4" X 2-1/2" gr.5 Plated
8	10150	12	Lug Nut (1/2" - 20 UNF)
9	10154	1	Lock Nut 5/16"-18 Plated
10	10156	2	Nylon Lock Nut, 5/8" Plated
11	10166	16	Lock Nut 5/8"-11 plated
12	10167	6	3/4" HEX NUT (Gr.5 PLATED)
13	10175	1	3/8"-16 Locknut (Gr.5 Plated)
14	10176	16	1/2" Locknut (Gr.5 Plated)
15	10179	2	Castle Nut (3/4") Gr.5 Fine Thread
16	10186	6	Lockwasher 3/4" Plated
17	10200	2	1/4" Plated Flatwasher
18	10202	2	3/8" Flatwasher (Plated)
19	10206	2	Flatwasher 3/4 plated
20	10243	2	Cotter Pin 5/32" X 2" Plated
21	10264	16	Plow Bolt 5/8 x 2 Gr.5 Plated
22	10343	1	Ratchet Jack
23	10391	4	Clip Pin (Hairpin) 3/16 X 3-1/4"
24	10432	2	72" CUTTING EDGE
25	10437	2	INNER BEARING
26	10438	2	OUTER BEARING
27	10439	2	DUST CAP
28	10440	2	GREASE SEAL
29	10618	1	10" JACK
30	10924	2	3/8" X 163" HYD. HOSE (NOT SHOWN)
31	10927	4	1" X 3" Cylinder Pin
32	11842	2	Tube for 9.5L x 15 Tire
33	11843	2	11L X 15 Tire
34	13277	2	Wheel, 15" x 8", 6 Lug
35	13905	4	6-M-JIC X 8-M-NPT 90 Deg. Elbow
36	15291	6	5/8" Tube Clamp Set - Twin, Polypropylene
37	15293	4	Cover Plate - Twin, Group 2
38	15294	4	Hex Bolt 5/16"-18 X 1-1/4" gr.5 Plated
39	15447	2	1" X 2-13/16" Pin
40	15448	4	Clip for 15447 Ratchet Jack Pin
41	15471	2	3/8" X 228" Hyd. Hose W/ 6-F-JIC X 8-M-NPT
42	15854	1	Manual Holder
43	15860	2	U-Nut, 1/4"-20
44	16754	2	Cylinder, 3" X 8"
45	25203	2	WHEEL HUB W/ HARDWARE
46	30324	2	11L X 15 Tire, Tube and Rim
47	40433	1	Tailwheel Frame Weldment
48	40451	1	Tilt Arm Weldment
49	40456	1	Pin, Tilt Arm
50	40457	1	Cylinder Adjusting Bracket
51	40458	1	Tongue Weldment, Standard
52	40459	1	Tongue Weldment, Swivel
53	40468	1	Pin Weldment, Swivel Hitch
54	40472	1	Swivel Hitch Weldment
55	40490	1	Frame Weldment, PTS 144

Repair Parts Drawing



DWG. NO.	40401			REV.	B
REV	CHANGE	BY	DATE	ECN	
IR	INITIAL RELEASE	J.O.C.	4/27/05	---	
A	CYLINDER MANUFACTURE CHANGE	T.B.B.	6/21/16	1655	
B	10264 WAS 10262.	M.J.Z.	5/28/19	1747	

All Dimensions in Inches Unless Otherwise Specified
 Dimensions in [] are in Millimeters
 Tolerance Unless Otherwise Specified
 Fractional Dimensions ± 1/16"
 Decimal Dim. to Limits Shown
 Angular Dimensions ± 1°
 All Holes to be +0 -1/32"

Drafting Note:
 Ballons 29 & 46 Are Created Objects.

MODELED BY	J.O.C.	4/27/05	EVH MFG. CO. LORIS S.C.	
DRAWN BY	J.O.C.	4/27/05		
MATERIAL	R.M.N.	N/A	DESCRIPTION	SHEET 3 of 3
Manufactured By: EVH Mfg. Co., LLC			PTS 144 COMPLETE	
DO NOT SCALE	B DWG SIZE	DWG. NO.	40401	