

ITEM NO.	PART NUMBER	QTY REQD.	NOMENCLATURE OR DESCRIPTION
1	10002	2	HEX BOLT (1/4" X 1")
2	10029	4	HEX BOLT (3/8" X 1-1/4")
3	10091	4	HEX BOLT (5/8" X 1-1/2")
4	10165	4	HEX NUT (5/8" PLATED)
5	10175	8	LOCK NUT 3/8" REVERSE LN
6	10185	4	LOCK WASHER (5/8" PLATED)
7	10200	2	FLAT WASHER (1/4" PLATED)
8	10202	8	FLAT WASHER, 3/8 USS PLATED
9	10307	2	HITCH PIN, CATEGORY 1
10	10335	.25G	PAINT, RED, FAST DRY
11	10339	2	POP RIVET 1/8" X 3/8"
12	10346	2	LYNCH PIN, HITCH SNAP PIN
13	10763	1	110 GALLON TANK 30 X 44
14	10773	1	AGITATOR
15	10797	25"	3/4" ID HOSE CLEAR, 40 PSI
16	10804	1	LEVEL INDICATOR FLOAT
17	11010	1	HARDEE BY EVH MFG CO DECAL
18	11016	1	DECAL, SPRAYER SAFETY LIST
19	11727	1	SERIAL NUMBER PLATE
20	11850	1	WEBSITE DECAL
21	12706	1	3/4" LINE STRAINER
22	13007	1	3/4" FNPT PP BALL VALVE
23	13319	1	3/4" MNPT x 3/4" HB (POLY)
24	13353	1	ELBOW 1/2" HB X 3/4" NPT
25	13355	3	3/4" MNPT X 3/4" HB ELBOW
26	13396	1	3/4" CLOSE NIPPLE (BLACK)
27	13509	1	3/4 MNPT X 3/4" FNPT ELBOW
28	13531	2	MANUAL HOLDER

DWG. NO.			REV.	
30097			H	
REV	CHANGE	BY	DATE	ECN
IR	INITIAL RELEASE	W.E.S.	10/5/98	---
D	CHANGE SERIAL # PLATE	T.R.M.	6/8/00	0792
E	REPLACE 30366 WITH 15448 & 15477	T.R.M.	6/8/00	0792
F	B.O.M CHANGES	B.C	6/29/07	1165
G	B.O.M CHANGES	T.B.B.	8/13/12	1507
H	CORRECTED 13353 & 11850 LOCATION	K.H.N.	4/23/14	1560

29	13589	1	NIPPLE, 3/4 X 3 POLYPRO
30	13846	1	1-1/4 X 3/4 BUSHING
31	15477	73.5"	2" WEBBING STRAP (5000lb/in)
32	15478	4	NYLON TANK STRAP END
33	15852	2	RED REFLECTOR (NOT SHOWN)
34	15854	1	MANUAL HOLDER
35	15860	2	U-NUT 1/4"-20
36	15911	4	HEX BOLT, 3/8 X 2-1/2
37	30067	2	UPRIGHT MEMBER
38	30240	1	WELDMENT, 110 & 150 FRAME
39	30263	2	WELDMENT L-110 SPRAYER SADDLE
40	30432	1	110 GAL TANK INSERT
41	30455	1	WELDMENT SPRAYER CONTROL STAND

All Dimensions in Inches Unless Otherwise Specified
Dimensions in [] are in Millimeters

Tolerances Unless Otherwise Specified
Fractional Dimensions ±1/16" Angular Dimensions ±1"
Decimal Dim. to Limits Shown All holes to be ⁺⁰/_{-1/32}

DRAWN BY	W.E.S.	10/5/98	HARDEE BY EVH MFG. CO. LORIS S.C.	
CHECKED BY				
MATERIAL	R.M.N.		APPLICATION L-110	OLD PART # ----
MANUFACTURED BY HARDEE MFG. CO., LLC			DESCRIPTION L-110 SPRAYER FRAME AND TANK COMPLETE	
DO NOT SCALE	A	DWG. NO.	SHEET 1 OF 3 30097	
	DWG SIZE			

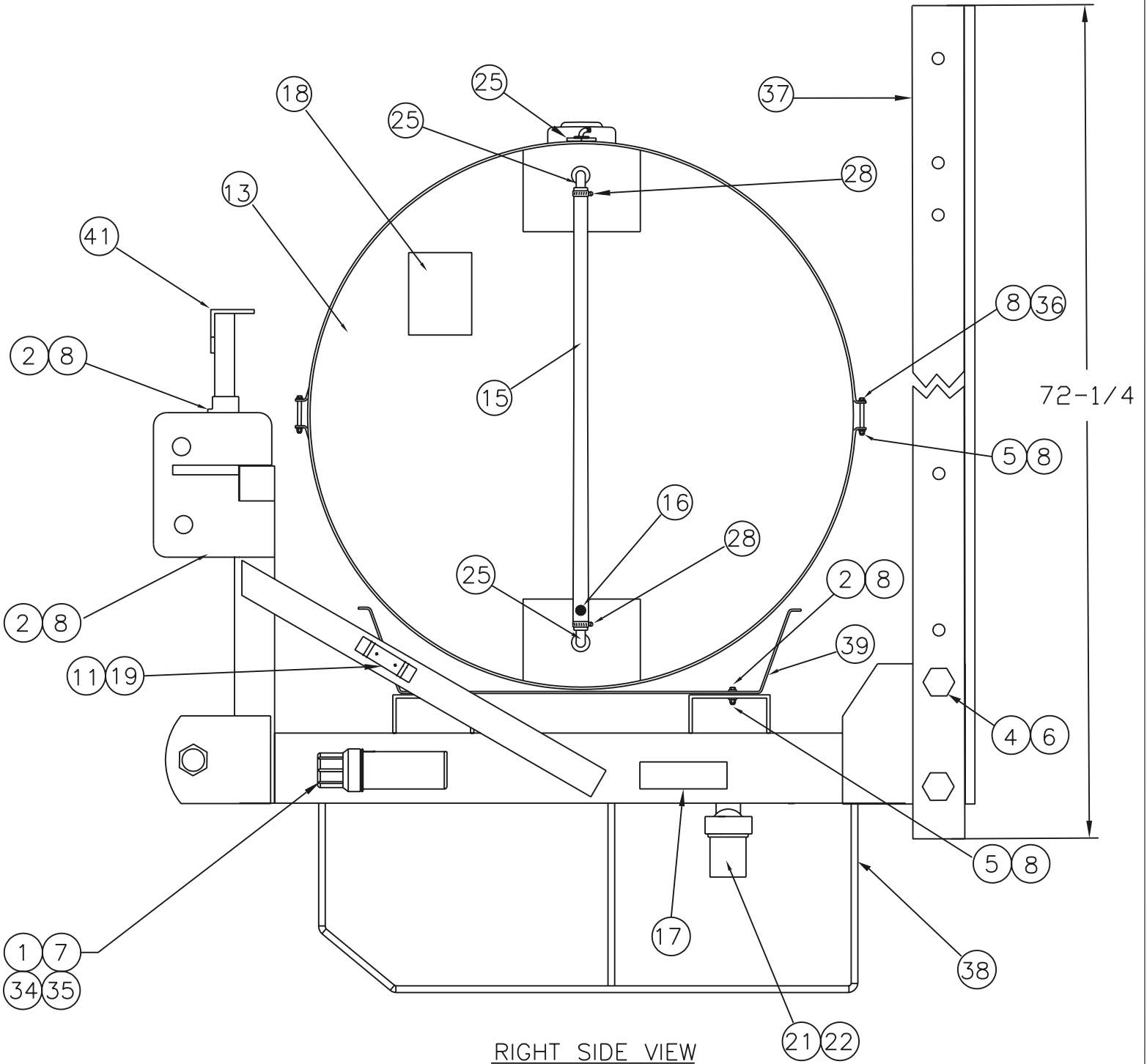
DWG. NO.

30097

REV.

H

REV	CHANGE	BY	DATE	ECN
IR	INITIAL RELEASE	W.E.S.	10/5/98	---
F	B.O.M CHANGES	B.C	6/29/07	1165
G	B.O.M CHANGES	T.B.B.	8/13/12	1507
H	CORRECTED 13353 & 11850 LOCATION	K.H.N.	4/23/14	1560



RIGHT SIDE VIEW

All Dimensions in Inches Unless Otherwise Specified
 Dimensions in [] are in Millimeters

Tolerances Unless Otherwise Specified
 Fractional Dimensions $\pm 1/16"$ Angular Dimensions $\pm 1^\circ$
 Decimal Dim. to Limits Shown All holes to be $\begin{matrix} +0 \\ -1/32 \end{matrix}$

DRAWN BY	W.E.S.	10/5/98
CHECKED BY		
MATERIAL	R.M.N.	
MANUFACTURED BY HARDEE MFG. CO., LLC		

**HARDEE BY
 EVH MFG. CO.
 LORIS S.C.**

APPLICATION	OLD PART #
L-110	----
DESCRIPTION	
L-110 SPRAYER FRAME AND TANK COMPLETE	
DO NOT SCALE	DWG. NO.
A DWG SIZE	SHEET 2 OF 3 30097

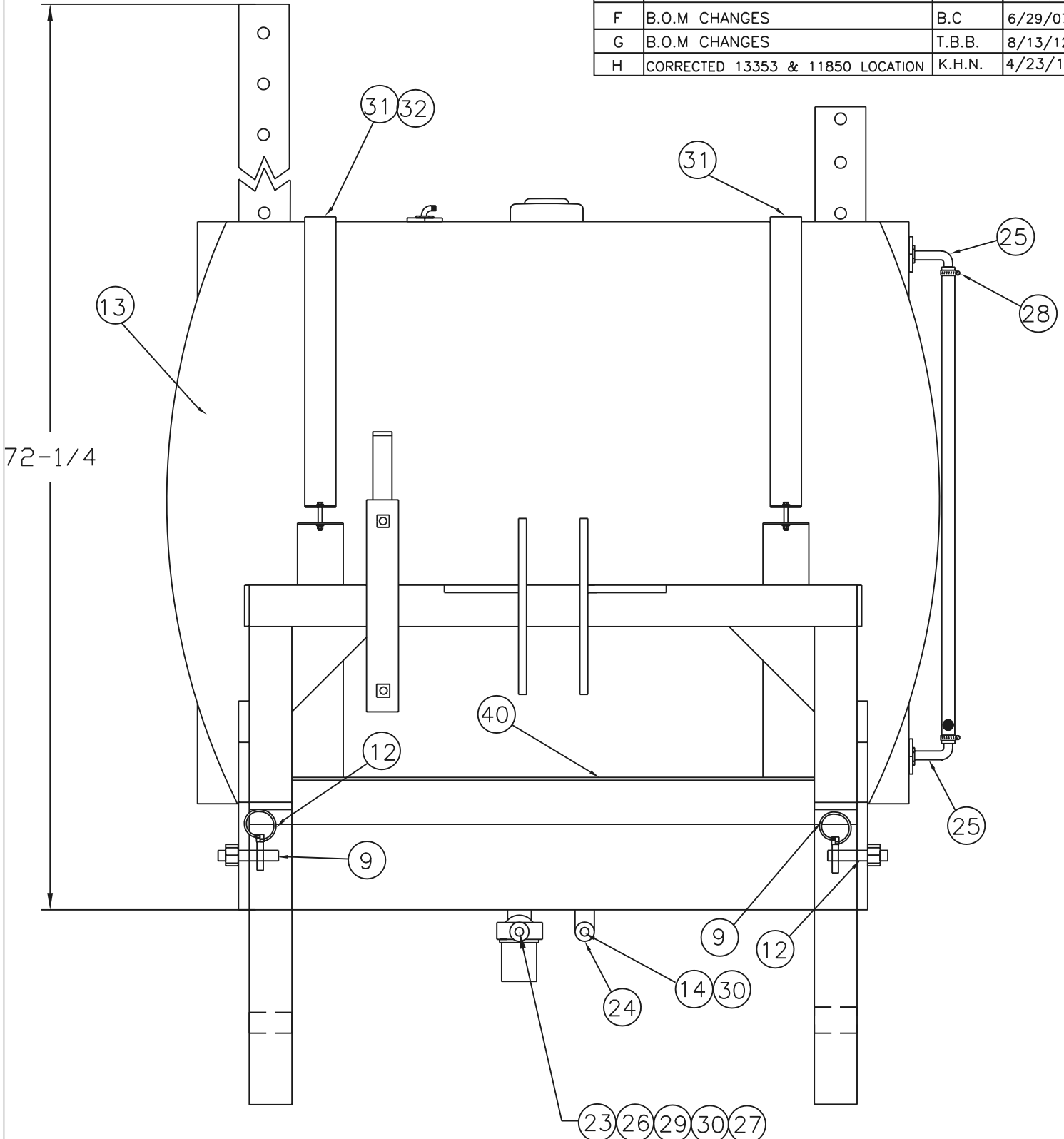
DWG. NO.

30097

REV.

H

REV	CHANGE	BY	DATE	ECN
IR	INITIAL RELEASE	W.E.S.	10/5/98	---
F	B.O.M CHANGES	B.C	6/29/07	1165
G	B.O.M CHANGES	T.B.B.	8/13/12	1507
H	CORRECTED 13353 & 11850 LOCATION	K.H.N.	4/23/14	1560



FRONT VIEW

DRAWN BY	W.E.S.	10/5/98
CHECKED BY		

**HARDEE BY
EVH MFG. CO.
LORIS S.C.**

MATERIAL R.M.N.

APPLICATION L-110	OLD PART # ----
----------------------	--------------------

DESCRIPTION L-110 SPRAYER
FRAME AND TANK COMPLETE

All Dimensions in Inches Unless Otherwise Specified
Dimensions in [] are in Millimeters

Tolerances Unless Otherwise Specified
Fractional Dimensions $\pm 1/16"$ Angular Dimensions $\pm 1^\circ$
Decimal Dim. to Limits Shown All holes to be $\begin{matrix} +0 \\ -1/32 \end{matrix}$

MANUFACTURED BY
HARDEE MFG. CO., LLC

DO NOT SCALE	A DWG SIZE	DWG. NO. SHEET 3 OF 3	30097
--------------	---------------	--------------------------	-------