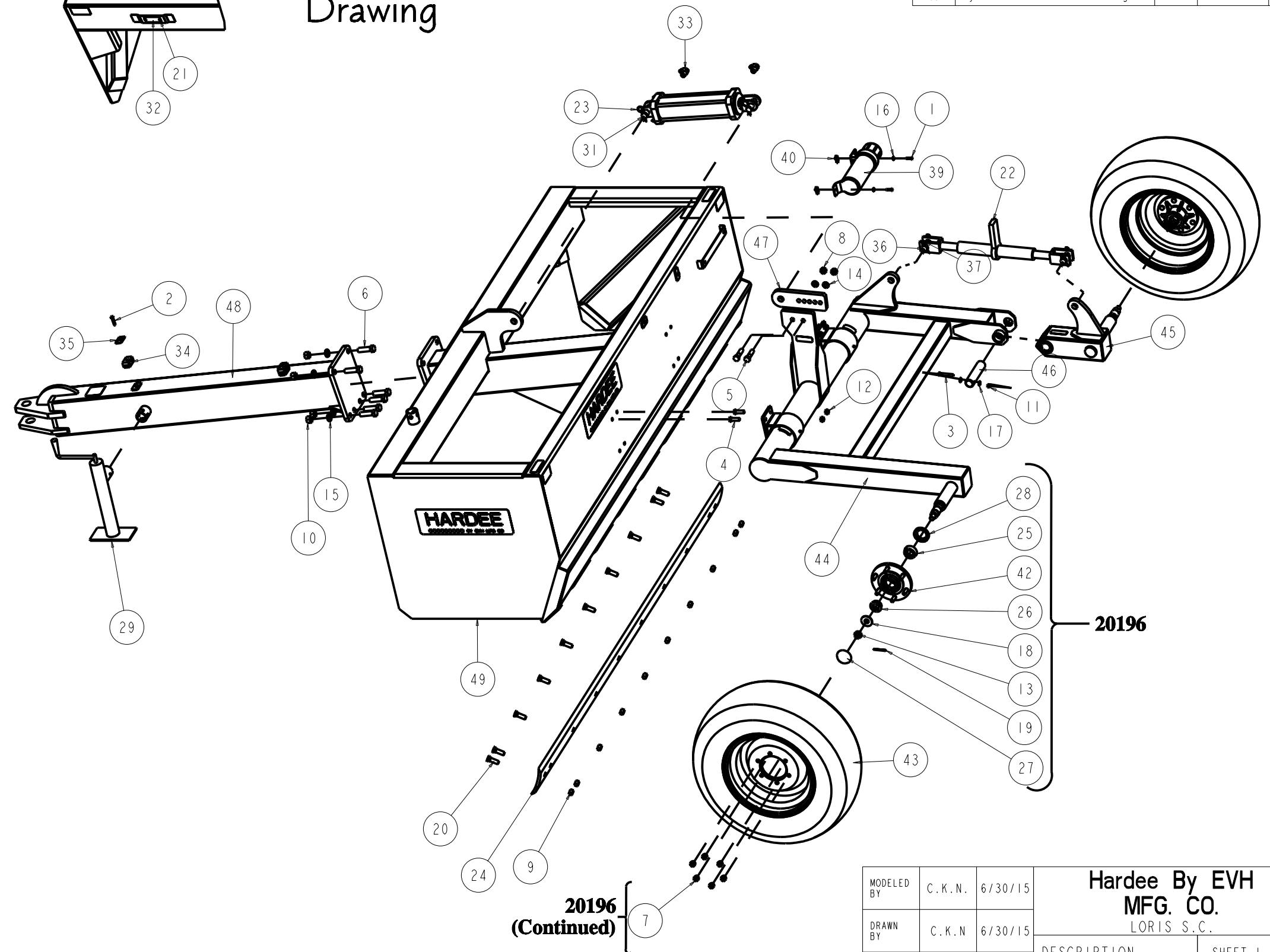


Item	Part Number	Qty.	Description
1	10002	2	Hex Bolt, 1/4"-20 X 1" Gr.5 Plated
2	10018	2	Hex Bolt 5/16" X 1 1/2" gr.5 Plated
3	10034	1	Hex Bolt 3/8" x 2-1/2" gr.5 plated
4	10072	8	Hex Bolt 1/2 x 1 1/2 gr.5 plated
5	10093	2	Hex Bolt 5/8" x 2-1/2" gr.5 plated
6	10112	6	Hex Bolt 3/4" X 2-1/2" gr.5 Plated
7	10150	12	Lug Nut (1/2" - 20 UNF)
8	10165	2	Hex Nut 5/8" plated
9	10166	11	Lock Nut 5/8"-11 plated
10	10167	6	3/4" Hex Nut (Gr.5 Plated)
11	10175	1	3/8"-16 Locknut (Gr.5 Plated)
12	10176	8	1/2" Locknut (Gr.5 Plated)
13	10179	2	Castle Nut (3/4") Gr.5 Fine Thread
14	10185	2	Lockwasher 5/8" Plated
15	10186	6	Lockwasher 3/4" Plated
16	10200	2	1/4" Plated Flatwasher
17	10202	2	3/8" Flatwasher (Plated)
18	10206	2	Flatwasher 3/4 plated
19	10252	2	Cotter Pin 3/16" X 2" Plated
20	10264	10	Plow Bolt 5/8 x 2 Gr.5 Plated
21	10339	2	Pop Rivet
22	10343	1	Ratchet Jack
23	10391	2	Clip Pin (Hairpin) 3/16 X 3-1/4"
24	10434	1	96 Cutting Edge
25	10437	2	Inner Bearing
26	10438	2	Outer Bearing
27	10439	2	Dust Cap
28	10440	2	Grease Seal
29	10618	1	10" Jack
30	10924	2	3/8"X163"Hyd. Hose
31	10927	2	1" X 3" Cylinder Pin
32	11727	1	Serial Number Plate
33	13905	2	6-M-JIC X 8-M-NPT 90 Deg. Elbow
34	15291	2	5/8" Tube Clamp Set - Twin, Polypropylene
35	15293	2	Cover Plate - Twin, Group 2
36	15447	2	1" X 2-13/16" Pin
37	15448	4	Clip for 15447 Ratchet Jack Pin
38	15471	2	3/8" X 228" Hyd. Hose W/ 6-F-JIC X 8-M-NPT
39	15854	1	Manual Holder
40	15860	2	U-Nut, 1/4"-20
41	16754	1	Cylinder, 3" X 8"
42	25203	2	6 Lug Hub with Cups and Studs
43	30324	2	11L X 15 Tire, Tube and Rim
44	40432	1	Tailwheel Frame Weldment
45	40451	1	Tilt Arm Weldment
46	40456	1	Pin, Tilt Arm
47	40457	1	Cylinder Adjusting Bracket
48	40458	1	Tongue Weldment, Standard
49	40484	1	Frame Weldment, PTS 96

DWG. NO.	40399			REV.	A
REV	CHANGE	BY	DATE	ECN	
IR	INITIAL RELEASE	C.K.N	6/30/15	1624	
A	Cylinder Manufacture Change	T.B.B.	6/21/16	1655	

# Shop Assembly Drawing



**Note:**  
10924 Hoses (Not Shown)

**20196**  
(Continued)

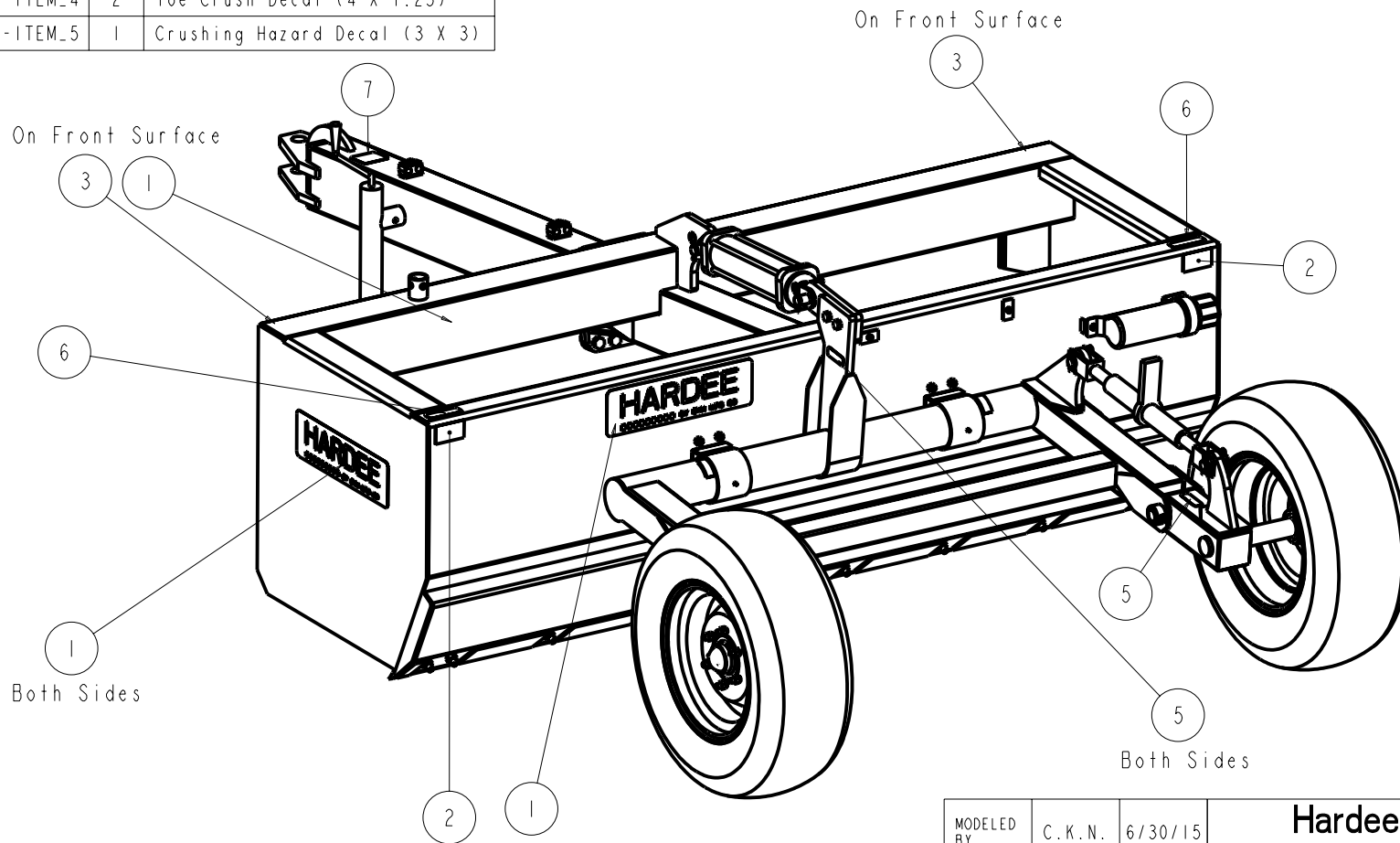
All Dimensions in Inches Unless Otherwise Specified  
 Dimensions in [ ] are in Millimeters  
 Tolerance Unless Otherwise Specified  
 Fractional Dimensions ± 1/16" Angular Dimensions ± 1°  
 Decimal Dim. to Limits Shown All Holes to be +0 -1/32"

MODELED BY	C.K.N.	6/30/15	<b>Hardee By EVH MFG. CO.</b> LORIS S.C.	
DRAWN BY	C.K.N.	6/30/15		
MATERIAL	R.M.N. N/A		DESCRIPTION	SHEET 1 of 3
Manufactured By: EVH Mfg. Co., LLC			PTS 96 Complete	
DO NOT SCALE	B	DWG. NO.	40399	

Item	Part Number	Qty.	Description
1	11131	4	Large Hardee Logo Decal
2	15852	2	Red Reflector Decal
3	15853	2	Yellow Reflector Decal
4	16754	1	Cylinder, 3" X 8"
5	11636-ITEM_3	3	Pinch Point Decal (3 X 1)
6	11636-ITEM_4	2	Toe Crush Decal (4 X 1.25)
7	11636-ITEM_5	1	Crushing Hazard Decal (3 X 3)

# Decal Placement Drawing

DWG. NO.	40399			REV.	A
REV	CHANGE	BY	DATE	ECN	
IR	INITIAL RELEASE	C.K.N	6/30/15	1624	
A	Cylinder Manufacture Change	T.B.B.	6/21/16	1655	



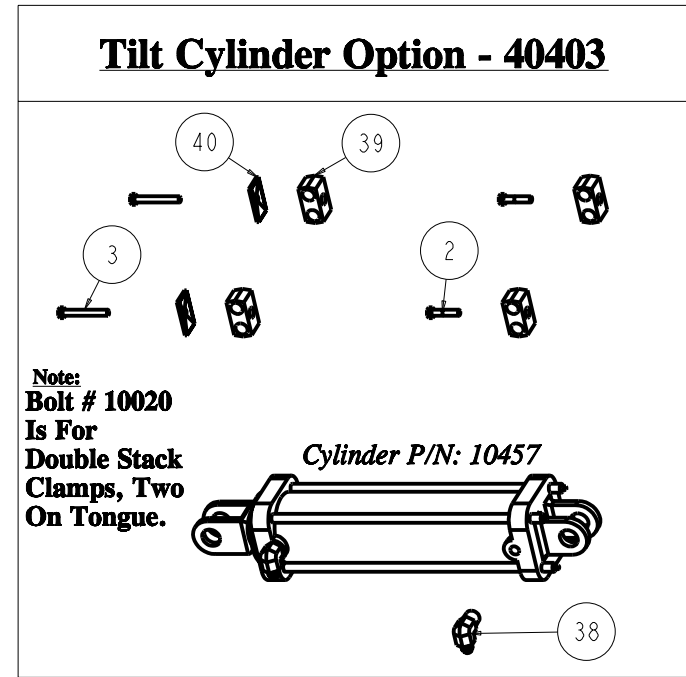
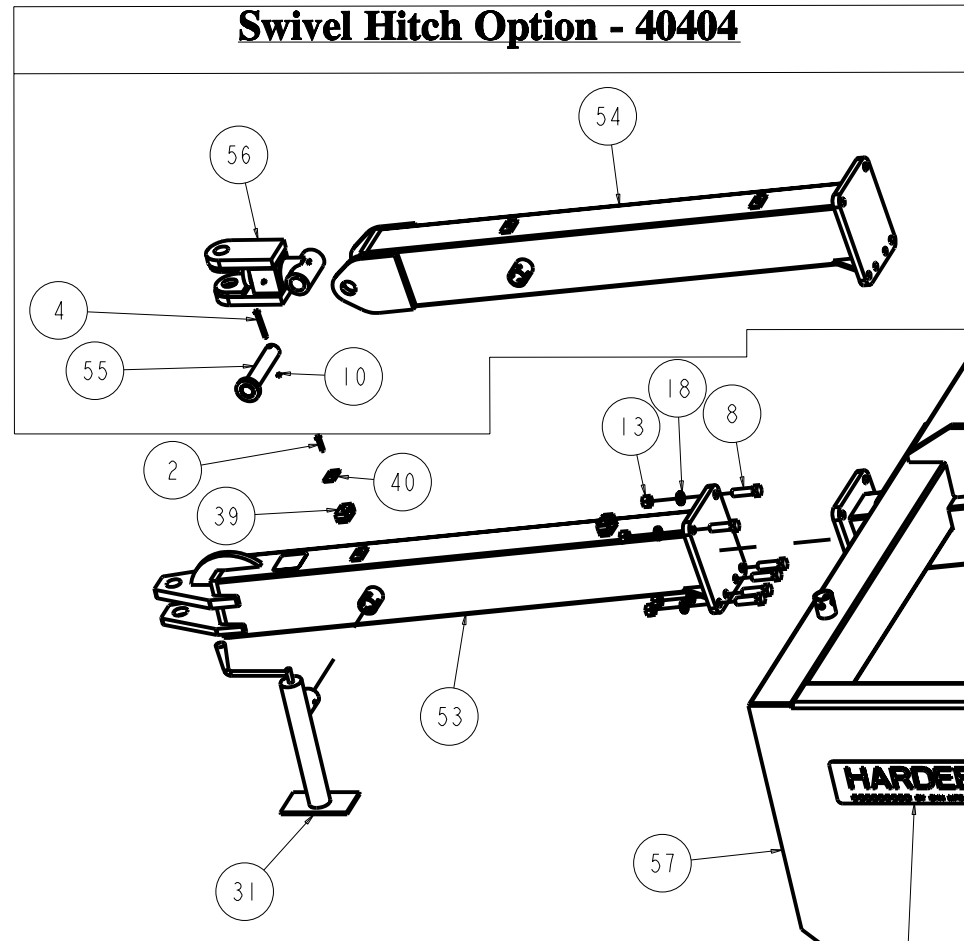
All Dimensions in Inches Unless Otherwise Specified  
 Dimensions in [ ] are in Millimeters  
 Tolerance Unless Otherwise Specified  
 Fractional Dimensions  $\pm 1/16"$  Angular Dimensions  $\pm 1^\circ$   
 Decimal Dim. to Limits Shown All Holes to be  $+0 -1/32"$

MODELED BY	C.K.N.	6/30/15	<b>Hardee By EVH          MFG. CO.</b> LORIS S.C.		
DRAWN BY	C.K.N.	6/30/15			
MATERIAL	R.M.N.	N/A	DESCRIPTION	SHEET 2 of 3	
Manufactured By: EVH Mfg. Co., LLC			PTS 96 Complete		
DO NOT SCALE	A DWG SIZE	DWG. NO.	40399		

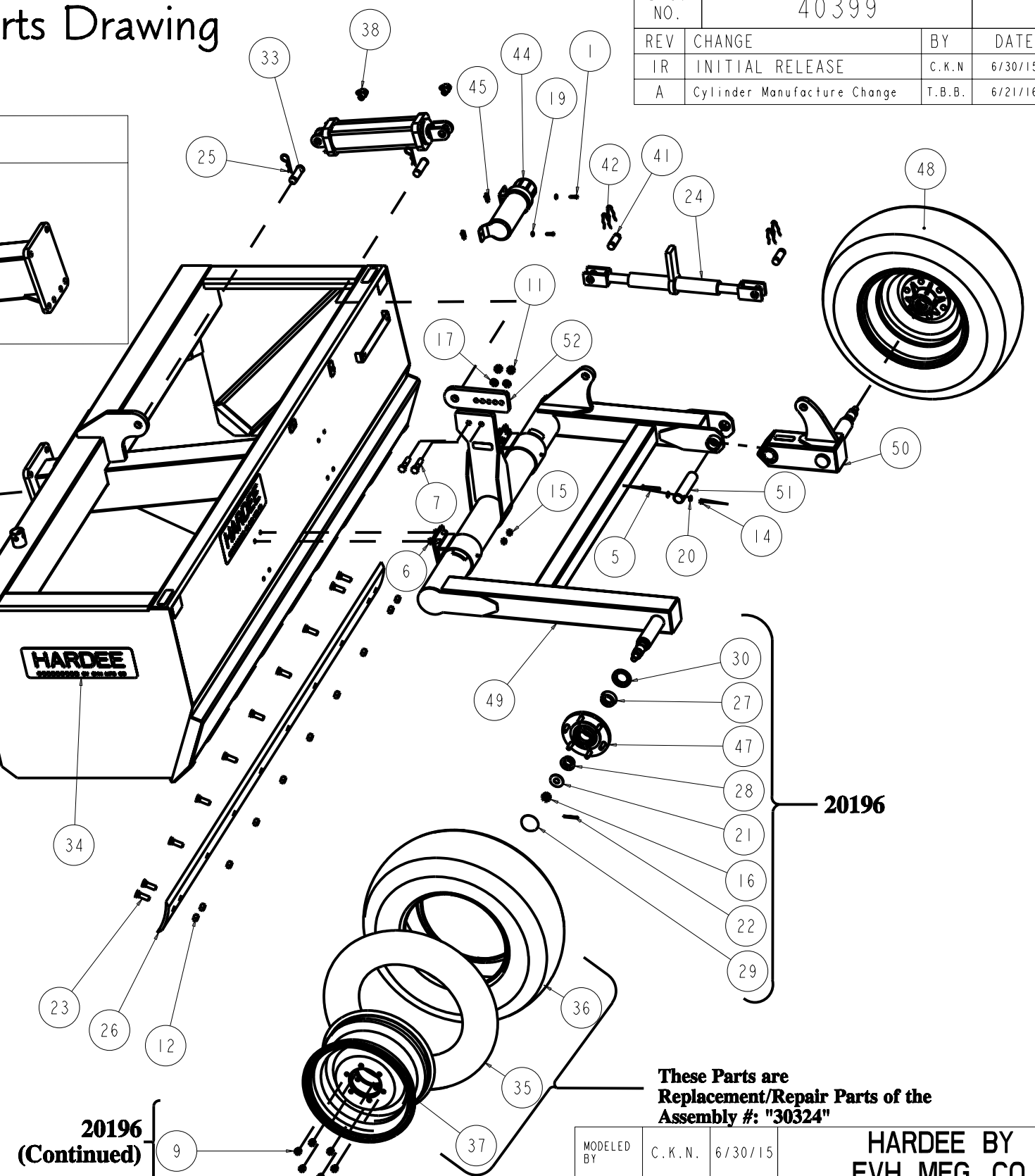
Item	Part Number	Qty.	Description
1	10002	2	Hex Bolt, 1/4"-20 X 1" Gr.5 Plated
2	10018	4	Hex Bolt 5/16" X 1 1/2" gr.5 Plated
3	10020	2	Hex Bolt 5/16" X 2 1/2" gr.5 Plated
4	10021	1	Hex Bolt 5/16" X 3" gr.5 Plated
5	10034	1	Hex Bolt 3/8" x 2-1/2" gr.5 plated
6	10072	8	Hex Bolt 1/2 x 1 1/2 gr.5 plated
7	10093	2	Hex Bolt 5/8" x 2-1/2" gr.5 plated
8	10112	6	Hex Bolt 3/4" X 2-1/2" gr.5 Plated
9	10150	12	Lug Nut (1/2" - 20 UNF)
10	10154	1	Lock Nut 5/16"-18 Plated
11	10165	2	Hex Nut 5/8" plated
12	10166	11	Lock Nut 5/8"-11 plated
13	10167	6	3/4" Hex Nut (Gr.5 Plated)
14	10175	1	3/8"-16 Locknut (Gr.5 Plated)
15	10176	8	1/2" Locknut (Gr.5 Plated)
16	10179	2	Castle Nut (3/4") Gr.5 Fine Thread
17	10185	2	Lockwasher 5/8" Plated
18	10186	6	Lockwasher 3/4" Plated
19	10200	2	1/4" Plated Flatwasher
20	10202	2	3/8" Flatwasher (Plated)
21	10206	2	Flatwasher 3/4 plated
22	10252	2	Cotter Pin 3/16" X 2" Plated
23	10264	10	Plow Bolt 5/8 x 2 Gr.5 Plated
24	10343	1	Ratchet Jack
25	10391	2	Clip Pin (Hairpin) 3/16 X 3-1/4"
26	10434	1	96 Cutting Edge
27	10437	2	Inner Bearing
28	10438	2	Outer Bearing
29	10439	2	Dust Cap
30	10440	2	Grease Seal
31	10618	1	10" Jack
32	10924	2	3/8"X163"Hyd. Hose
33	10927	2	1" X 3" Cylinder Pin
34	11131	4	Large Hardee Logo Decal
35	11842	2	Tube for 9.5L x 15 Tire
36	11843	2	11L X 15 Tire
37	13277	2	Wheel, 15" x 8", 6 Lug
38	13905	4	6-M-JIC X 8-M-NPT 90 Deg. Elbow
39	15291	6	5/8" Tube Clamp Set - Twin, Polypropylene
40	15293	4	Cover Plate - Twin, Group 2
41	15447	2	1" X 2-13/16" Pin
42	15448	4	Clip for 15447 Ratchet Jack Pin
43	15471	2	3/8" X 228" Hyd. Hose W/ 6-F-JIC X 8-M-NPT
44	15854	1	Manual Holder
45	15860	2	U-Nut, 1/4"-20
46	16754	2	Cylinder, 3" X 8"
47	25203	2	6 Lug Hub with Cups and Studs
48	30324	2	11L X 15 Tire, Tube and Rim
49	40432	1	Tailwheel Frame Weldment
50	40451	1	Tilt Arm Weldment
51	40456	1	Pin, Tilt Arm
52	40457	1	Cylinder Adjusting Bracket
53	40458	1	Tongue Weldment, Standard
54	40459	1	Tongue Weldment, Swivel
55	40468	1	Pin Weldment, Swivel Hitch
56	40472	1	Swivel Hitch Weldment
57	40484	1	Frame Weldment, PTS 96

# Repair Parts Drawing

DWG. NO.	40399			REV.	A
REV	CHANGE	BY	DATE	ECN	
IR	INITIAL RELEASE	C.K.N	6/30/15	1624	
A	Cylinder Manufacture Change	T.B.B.	6/21/16	1655	



**Note:**  
Bolt # 10020  
Is For  
Double Stack  
Clamps, Two  
On Tongue.



**20196**  
(Continued)

**These Parts are Replacement/Repair Parts of the Assembly #: "30324"**

MODELED BY	C.K.N.	6/30/15	<b>HARDEE BY EVH MFG. CO.</b> LORIS S.C.	
DRAWN BY	C.K.N.	6/30/15		
MATERIAL	R.M.N. N/A		DESCRIPTION	SHEET 3 of 3
Manufactured By: EVH Mfg. Co., LLC			PTS 96 Complete	
DO NOT SCALE	B	DWG. NO.	40399	

All Dimensions in Inches Unless Otherwise Specified  
Dimensions in [ ] are in Millimeters  
Tolerance Unless Otherwise Specified  
Fractional Dimensions ± 1/16" Angular Dimensions ± 1°  
Decimal Dim. to Limits Shown All Holes to be +0 -1/32"

**Note:**  
2 - 10924 Hoses (Not Shown)  
2 - 15471 Hoses (Not Shown)