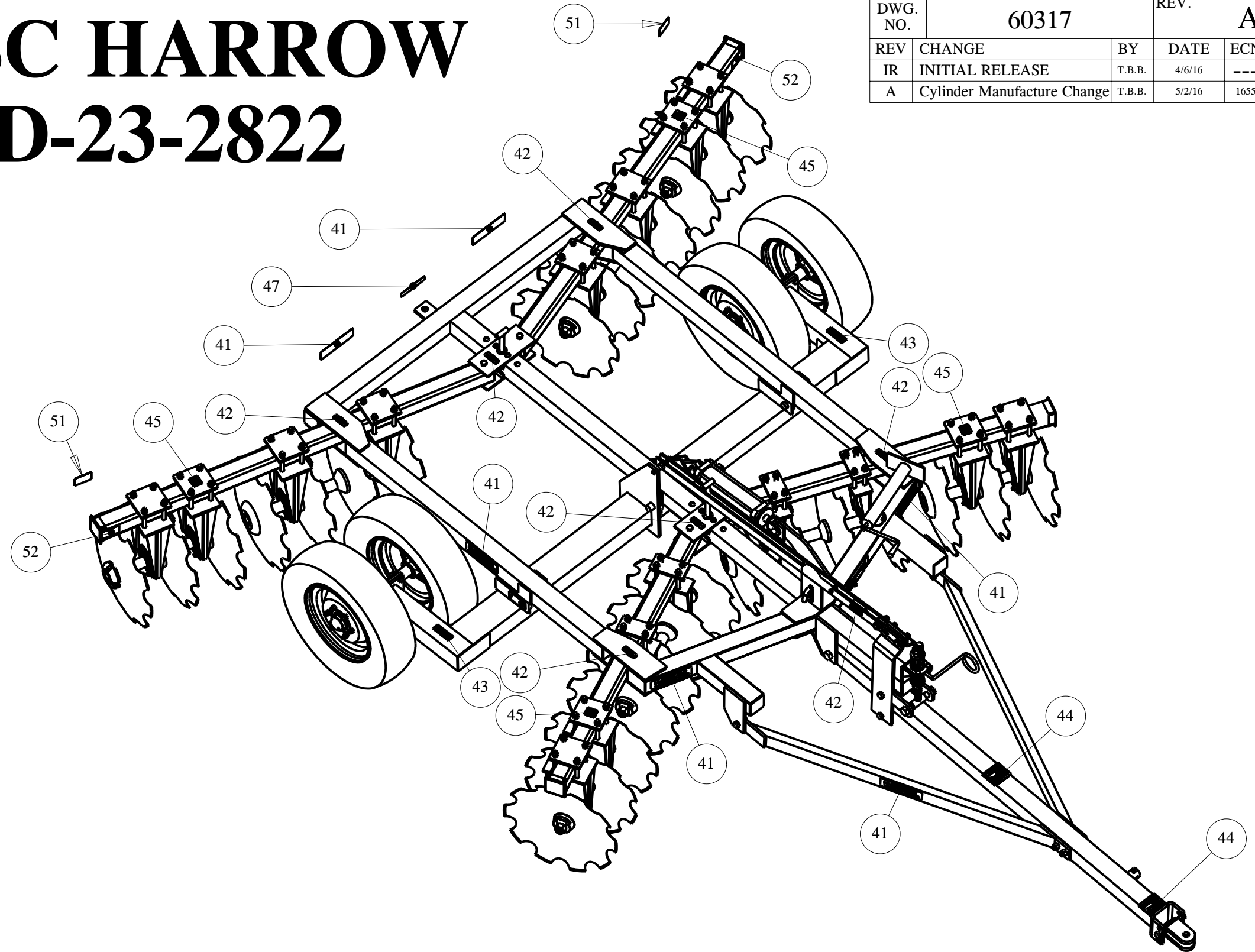


DISC HARROW D-23-2822

DWG. NO.	60317		REV.	A
REV	CHANGE	BY	DATE	ECN
IR	INITIAL RELEASE	T.B.B.	4/6/16	---
A	Cylinder Manufacture Change	T.B.B.	5/2/16	1655

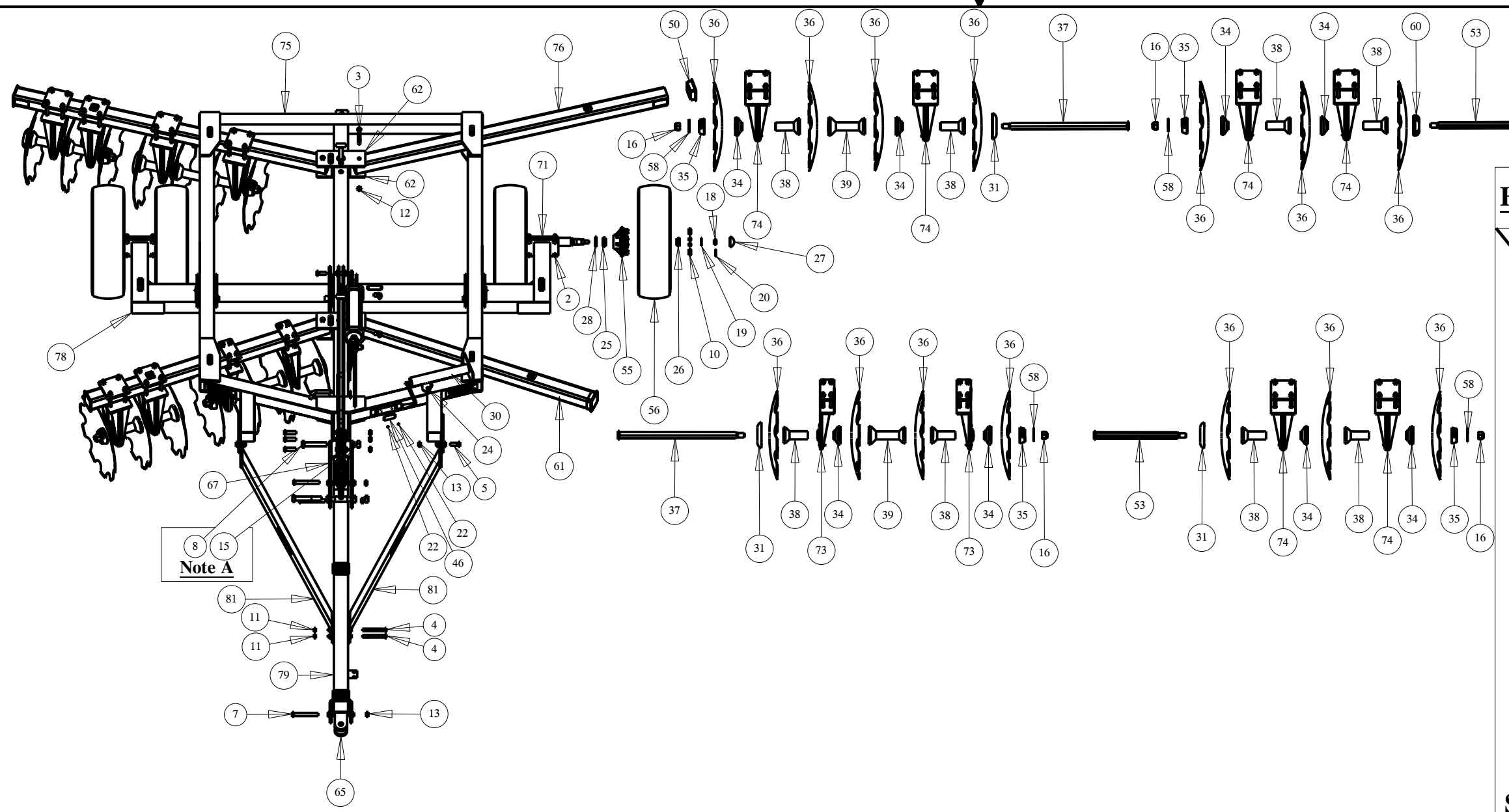
Item	Part Number	Qty.	Description
1	10072	2	Hex Bolt 1/2 x 1 1/2 gr.5 plated
2	10092	8	Hex Bolt 5/8 x 2 gr.5 plated
3	10098	4	HEX BOLT (5/8"-11 X 5" GR. 5 PLATED)
4	10099	2	Hex Bolt 5/8" X 5 1/2" gr.5 Plated
5	10111	3	Hex Bolt 3/4"-10 X 2" gr.5 Plated
6	10112	5	Hex Bolt 3/4" X 2-1/2" gr.5 Plated
7	10119	3	Hex Bolt (3/4" X 6" Gr. 5 Plated)
8	10134	1	Hex Bolt 1" x 5-1/2" gr.5 plated
9	10136	1	Hex Bolt 1 x 6 1/2 gr.5 plated
10	10150	24	Lug Nut (1/2" - 20 UNF)
11	10165	2	Hex Nut 5/8" plated
12	10166	76	Lock Nut 5/8"-11 plated
13	10167	11	3/4" Hex Nut (Gr.5 Plated)
14	10169	4	Hex Nut (1" Plated)
15	10171	2	Lock Nut 1" plated
16	10172	8	Hex Head Lock-Nut (1-1/8")
17	10176	66	1/2" Locknut (Gr.5 Plated)
18	10179	4	Castle Nut (3/4") Gr.5 Fine Thread
19	10206	4	Flatwasher 3/4 plated
20	10252	4	Cotter Pin 3/16" X 2" Plated
21	10274	64	Carriage Head Bolt (1/2" X 1-1/4" Gr. 5 Plated)
22	10339	2	Pop Rivet
23	10391	3	Clip Pin (Hairpin) 3/16 X 3-1/4"
24	10416	1	LOCK PIN, 5/16" DIA. X 2-1/4"
25	10437	4	Inner Bearing - use 10442 for replacement cup
26	10438	4	Outer Bearing - use 10441 for replacement cup
27	10439	4	Dust Cap
28	10440	4	Grease Seal
29	10445	1	3/4 Dia. Bent Hitch Pin
30	10618	1	10" Jack
31	10901	6	Bumper Cap (Front)
32	10903	16	Sealed Axle Bearing
33	10904	32	Bearing Retainer
34	10906	16	Bearing Spacer
35	10907	8	Nut Washer
36	10910	28	22" Disc Blade 1-1/8" Hole
37	10916	4	30-3/4" Gang Bolt
38	10918	16	Half Spool
39	10919	4	9" Full Spool
40	10927	2	1" X 3" Cylinder Pin
41	11032	8	Small Hardee Logo Decal
42	11636-3	7	WARNING DECAL (KIT 11636)
43	11636-4	2	WARNING DECAL (KIT 11636)
44	11636-5	2	DANGER DECAL (KIT 11636)
45	11636-7	4	WARNING DECAL (KIT 11636)
46	11727	1	Serial Number Plate
47	11850	1	Web Site Decal
48	13905	2	6-M-JIC X 8-M-NPT 90 Deg. Elbow
49	15451	64	Carriage Head Bolt (5/8" X 5-1/2" Gr. 5 Plated)
50	15466	4	Tubing Insert, 3-1/2" Sqr. X 11
51	15852	2	Red Reflector Decal
52	15853	2	Yellow Reflector Decal
53	16442	4	22-1/4" Gang Bolt
54	16754	1	Cylinder, 3" X 8"
55	25203	4	6 Lug Hub with Cups and Studs
56	30323	4	9.5L X 15 Tire, Tube and Rim
57	60029	1	11" Gang Pin Weldment
58	60037	8	Nut Lock
59	60038	1	15" Gang Pin Weldment
60	60081	2	Bumper Cap, Slotted (Rear)
61	60160	2	Gang Beam Weldment
62	60164	4	Gang Tie Plate Weld
63	60166	12	Clamp Cap For Double Hanger
64	60167	4	Clamp Cap For Single Hanger
65	60235	1	Pull Hitch Weldment
66	60244	1	Left Tongue Pivot Bracket Weldment
67	60247	1	Right Tongue Pivot Bracket Weldment
68	60248	1	Cylinder Attachment
69	60249	1	Brace Plate
70	60250	1	Leveling Bar Weldment
71	60257	2	Dual Wheel Axle Weldment
72	60261	2	Spring Weldment - D22 & D23
73	60277	4	Single Axle Hanger Assembly
74	60278	12	Double Axle Hanger Assembly
75	60320	1	D23 Main Frame Weldment
76	60325	2	Gang Beam Weldment
77	60327	2	Bushing for D23 Main Frame
78	60332	1	Axle Frame Weldment
79	60334	1	Tounge Weldment
80	60338	1	Hose Support Bracket Weldment
81	60344	2	Reinforcement Weldment



All Dimensions in Inches Unless Otherwise Specified
 Dimensions in [] are in Millimeters
 Tolerance Unless Otherwise Specified
 Fractional Dimensions ± 1/16"
 Decimal Dim. to Limits Shown

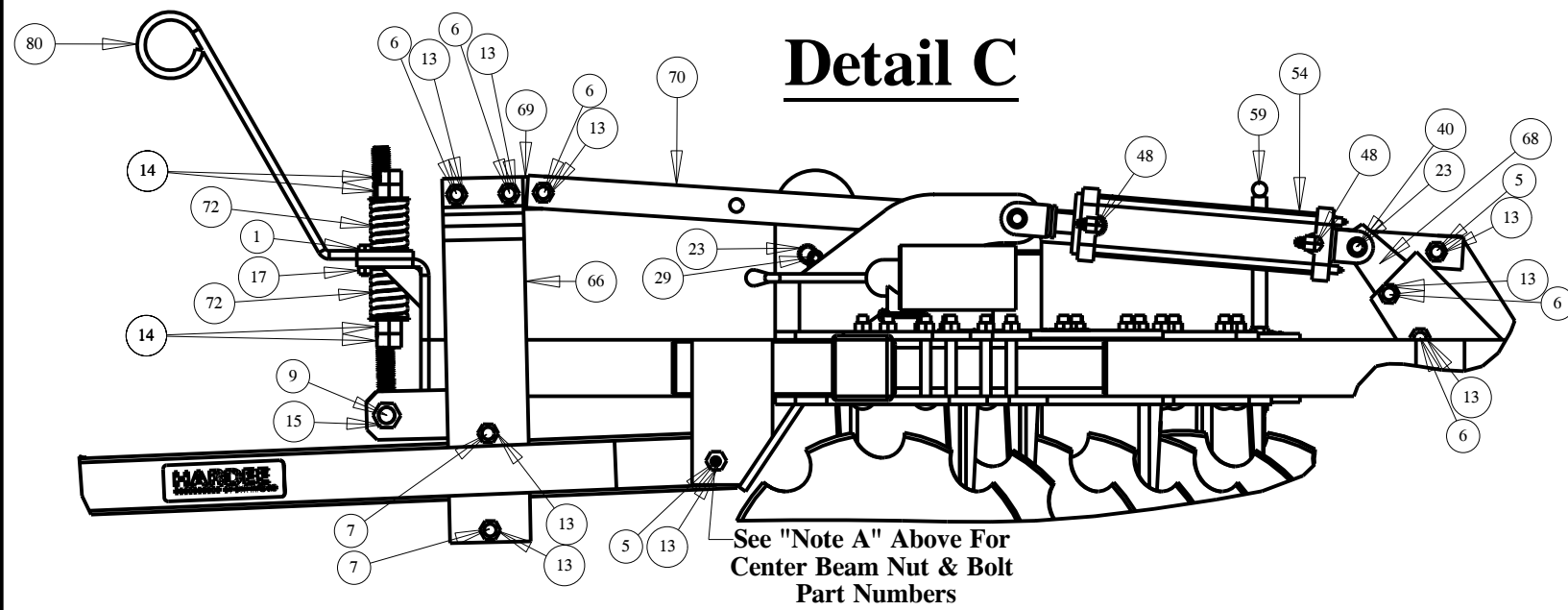
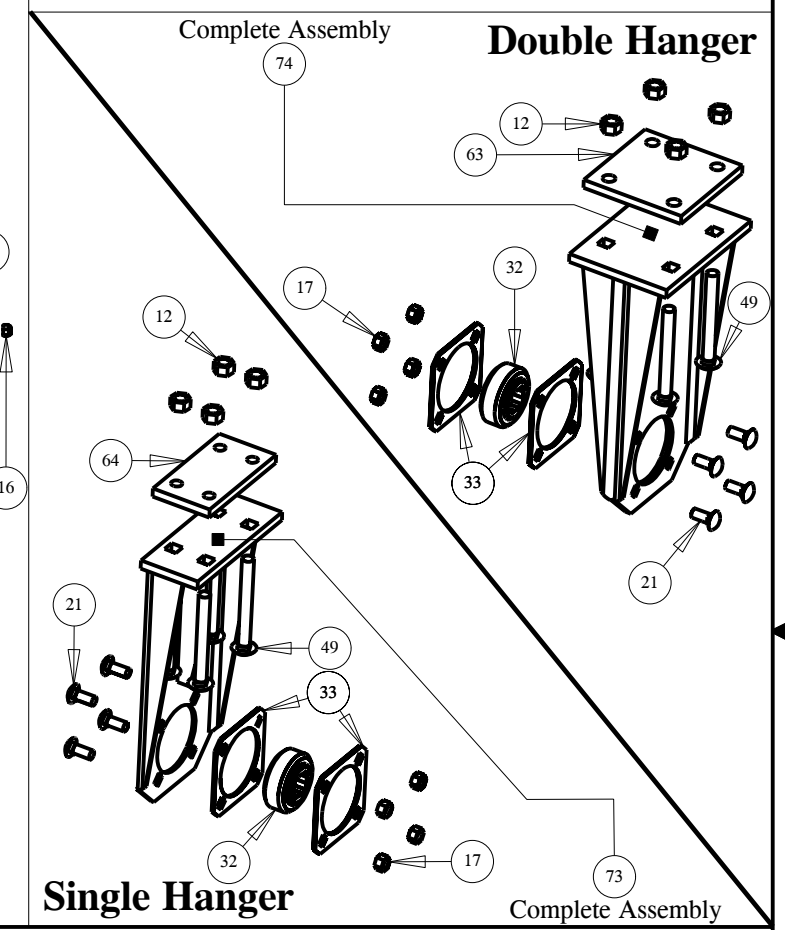
MODELED BY	T.B.B.	4/6/16	HARDEE BY EVH MFG. CO. LORIS S.C.	
CHECKED BY	C.K.N.	4/6/16		
MATERIAL	R.M.N. N/A	DESCRIPTION		SHEET 1 of 2
Manufactured By: EVH Mfg. Co., LLC		D-23-2822		
DO NOT SCALE	DWG. NO.	B	60317	

DWG. NO.	60317		REV.	A
REV	CHANGE	BY	DATE	ECN
IR	INITIAL RELEASE	T.B.B.	4/6/16	---
A	Cylinder Manufacture Change	T.B.B.	5/2/16	1655



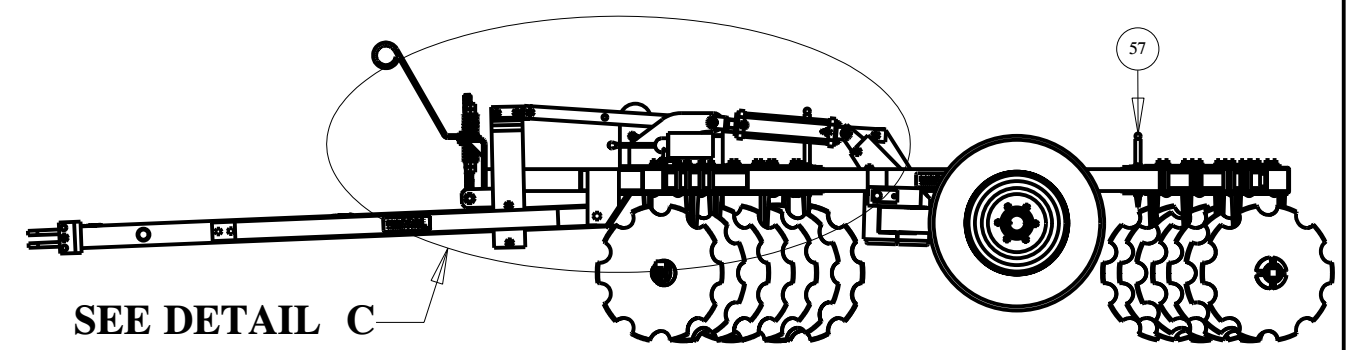
Note A

Hanger & Bearing Assembly Breakdown



Detail C

See "Note A" Above For Center Beam Nut & Bolt Part Numbers



SEE DETAIL C

All Dimensions in Inches Unless Otherwise Specified
 Dimensions in [] are in Millimeters
 Tolerance Unless Otherwise Specified
 Fractional Dimensions ± 1/16"
 Decimal Dim. to Limits Shown

MODELED BY	T.B.B.	4/6/16	HARDEE BY EVH MFG. CO. LORIS S.C.	
CHECKED BY	C.K.N.	4/6/16		
MATERIAL	R.M.N. N/A		DESCRIPTION	SHEET 2 of 2
Manufactured By: EVH Mfg. Co., LLC			D-23-2822	
DO NOT SCALE	B DWG SIZE	DWG. NO.	60317	