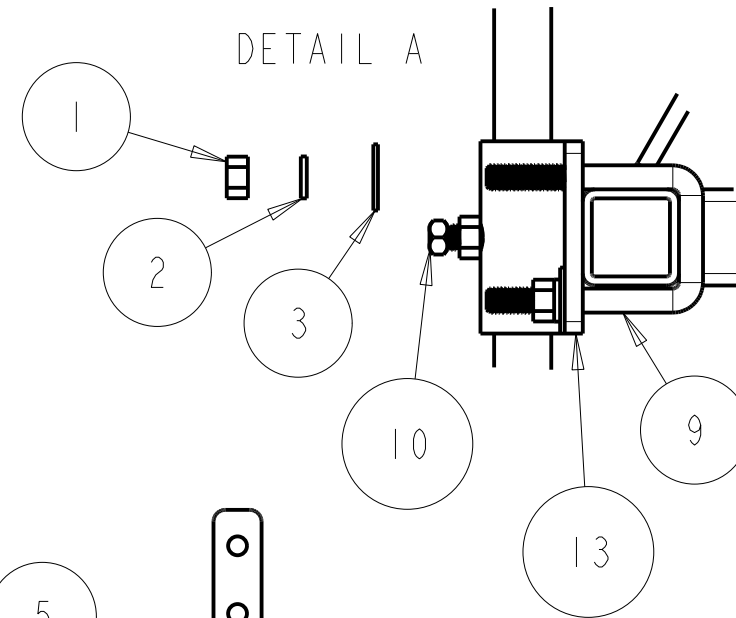


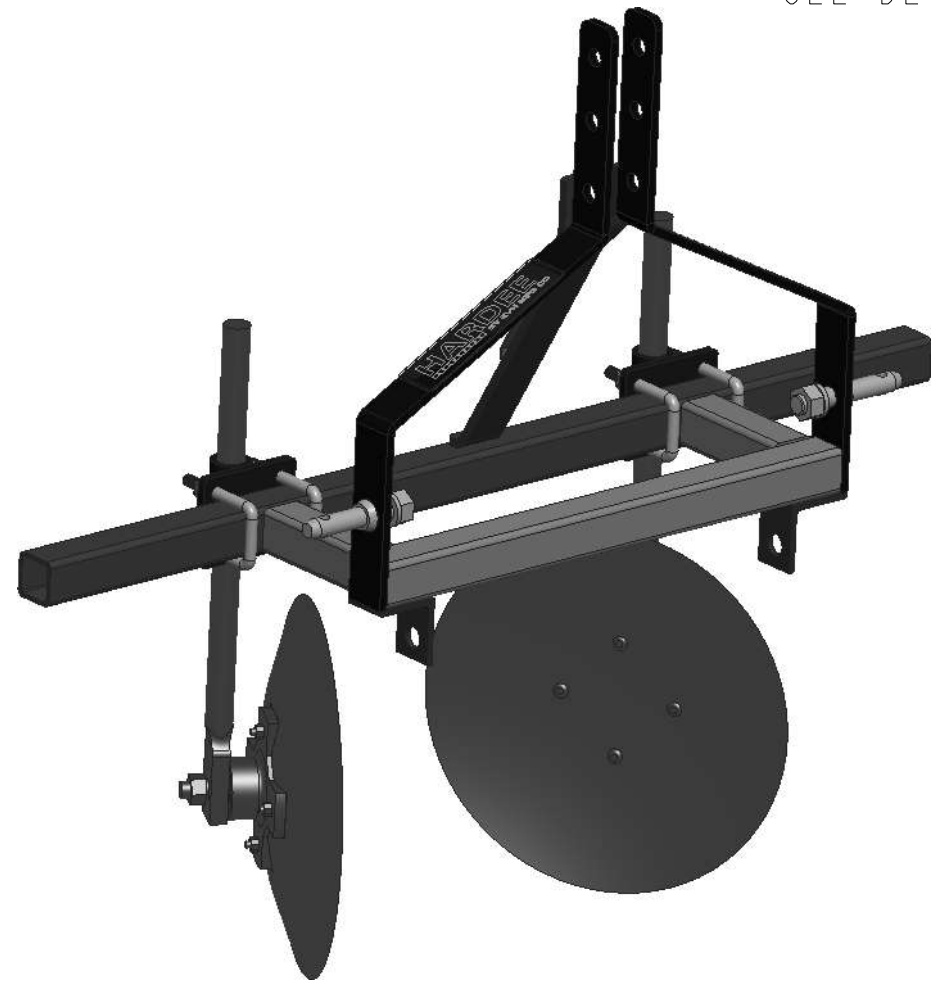
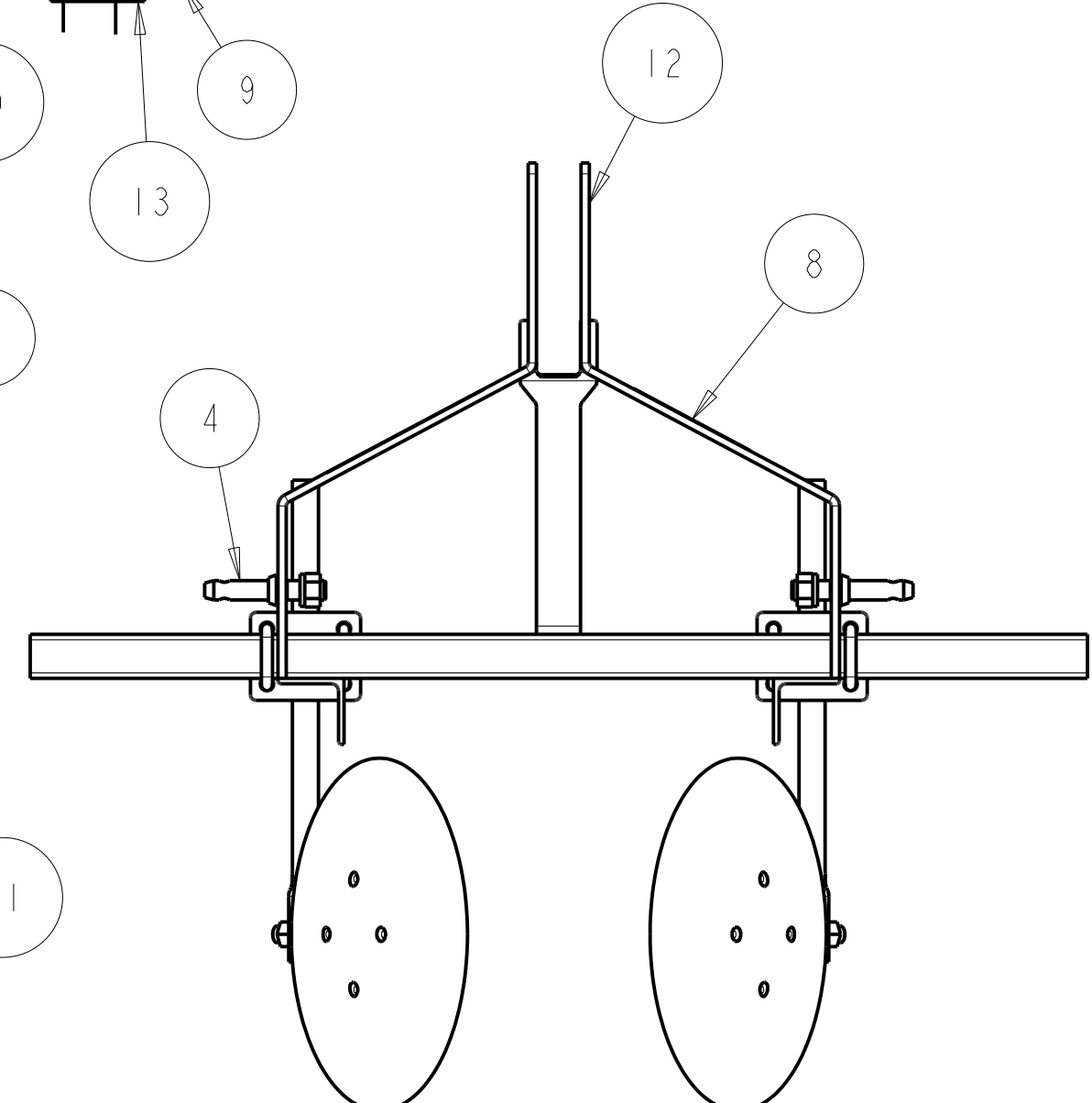
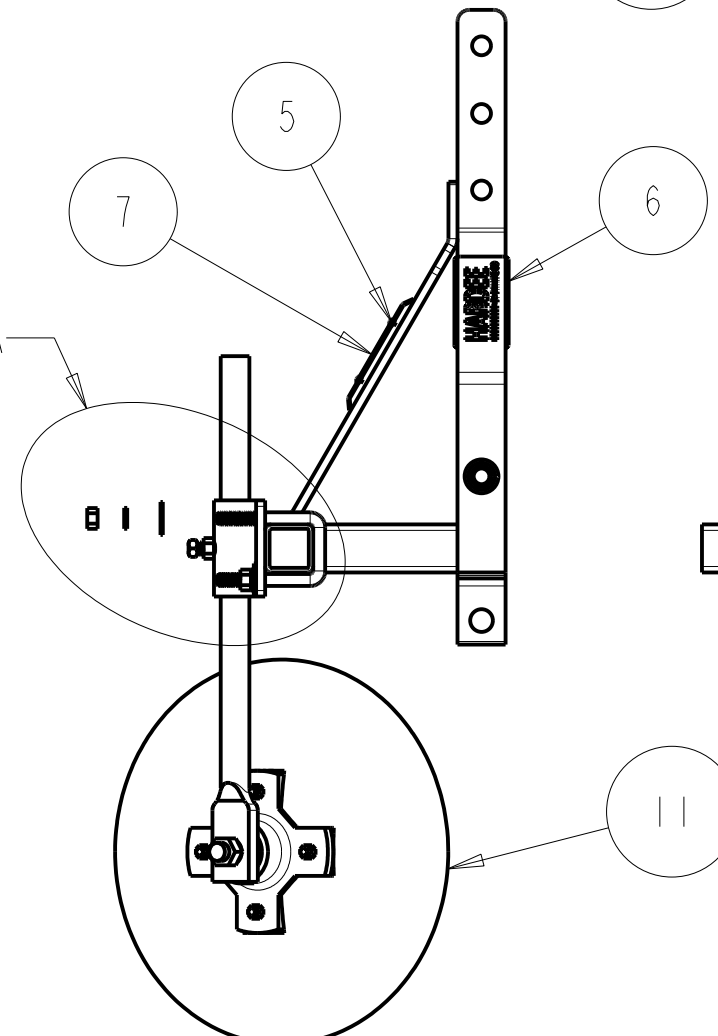
Item	Part Number	Qty.	Description
1	10164	8	HEX NUT, 1/2" (Gr.5 Plated)
2	10184	8	LOCKWASHER, 1/2" PLATED
3	10204	8	FLATWASHER, 1/2" USS PLATED
4	10307	2	CATEGORY I HITCH PIN
5	10339	2	POP RIVET
6	11032	1	DECAL, SMALL HARDEE LOGO
7	11727	1	SERIAL NUMBER PLATE
8	11850	1	DECAL, WEB SITE
9	15963	4	U-Bolt Sq. - 2 1/16 X 4 X 1 1/2 - 13 Threads 1 5/8" Long
10	16304	2	HILLER- SET SCREW
11	16698	2	Disc Hiller, 16" - 4 Bolt "Blanton Style"
12	40609	1	WELDMENT - GARDEN BEDDER 48"
13	40616	2	WELDMENT - GARDEN BEDDER 48"

DWG. NO.	40600		REV. B	
REV	CHANGE	BY	DATE	ECN
IR	INITIAL RELEASE	C.K.N.	04/19/09	---
A	16698-16" WAS 16303-12"	C.K.N.	01/08/15	1593
B	REDESIGN TO BE COMATIBLE WITH QUICK HITCH	C.K.N.	05/28/21	1793

DETAIL A



SEE DETAIL A



All Dimensions in Inches Unless Otherwise Specified
 Dimensions in [] are in Millimeters
 Tolerance Unless Otherwise Specified
 Fractional Dimensions: 1/16" Angular Dimensions: 1°
 Decimal Dim. to Limits Shown All Holes to be +0 -1/32"

MODELED BY	M. J. Z.	05/28/21
CHECKED BY	C. K. N.	05/28/21

**HARDEE BY
 EVH MFG. CO.**
 LORIS S.C.

MATERIAL	R.M.N.
	N/A

Manufactured By:
 EVH Mfg. Co., LLC

DESCRIPTION	SHEET 1 of 1
GARDEN BEDDER 48"	
DO NOT SCALE	DWG. NO. 40600