

ITEM NO.	PART NUMBER	QTY REQD.	NOMENCLATURE OR DESCRIPTION
1	10019	2	5/16" X 2" HEX BOLT
2	10031	8	3/8" X 1" HEX BOLT
3	10073	21	1/2" X 2" HEX BOLT
4	10097	4	5/8" X 4-1/2" HEX BOLT
5	10116	2	3/4" X 4-1/2" HEX BOLT
6	10166	4	5/8" LOCKNUT
7	10167	2	3/4" HEX NUT
8	10168	2	3/4" LOCKNUT
9	10176	21	1/2" LOCKNUT
10	10182	8	3/8" LOCK WASHER
11	11727	1	SERIAL NUMBER PLATE
12	10339	2	RIVETS FOR SERIAL # PLATE
13	10469	2	7/8" CAT. 1 HITCH PIN W/CLIP
14	10473	2	1" 4 BOLT FLANGE W/BEARING
15	10474	2	TENSION SPRING
16	10335	1	RED PAINT
17	11032	2	HWI LOGO DECAL
18	11119	2	AP-60 MODEL # DECAL
19	11636	1	SAFETY DECAL SHEET
20	40099	1	RIGHT ROLLER ARM WELDMENT
21	40100	1	LEFT ROLLER ARM WELDMENT
22	40101	2	TENSION ARM WELDMENT
23	40115	21	CUTTING TOOTH
24	40124	2	TENSION ROD
25	40260	1	AP-60 MAIN FRAME WELDMENT
26	40264	1	ROLLER WELDMENT FOR AP-60
27	11850	1	WEB DECAL
28	15852	2	RED REFLECTOR DECAL

DWG. NO.			REV.	
40091			D	
REV	CHANGE	BY	DATE	ECN
IR	INITIAL RELEASE	J.D.S.	2/27/96	---
A	UP REV LEVEL TO MATCH B.O.M.	T.R.M.	12/14/99	0522
B	UP REV LEVEL TO MATCH B.O.M.	T.R.M.	12/14/99	0586
C	UPDATE DWG TO MATCH B.O.M.	T.R.M.	4/27/00	0764
D	CHANGE SERIAL # PLATE	T.R.M.	6/9/00	0792

ADD THIS REVISION AT NEXT DRAWING CHANGE

See ECR Change #0980 for Details
Add Qty. (1) Each 15852, 15853

All Dimensions in Inches Unless Otherwise Specified
Dimensions in [] are in Millimeters

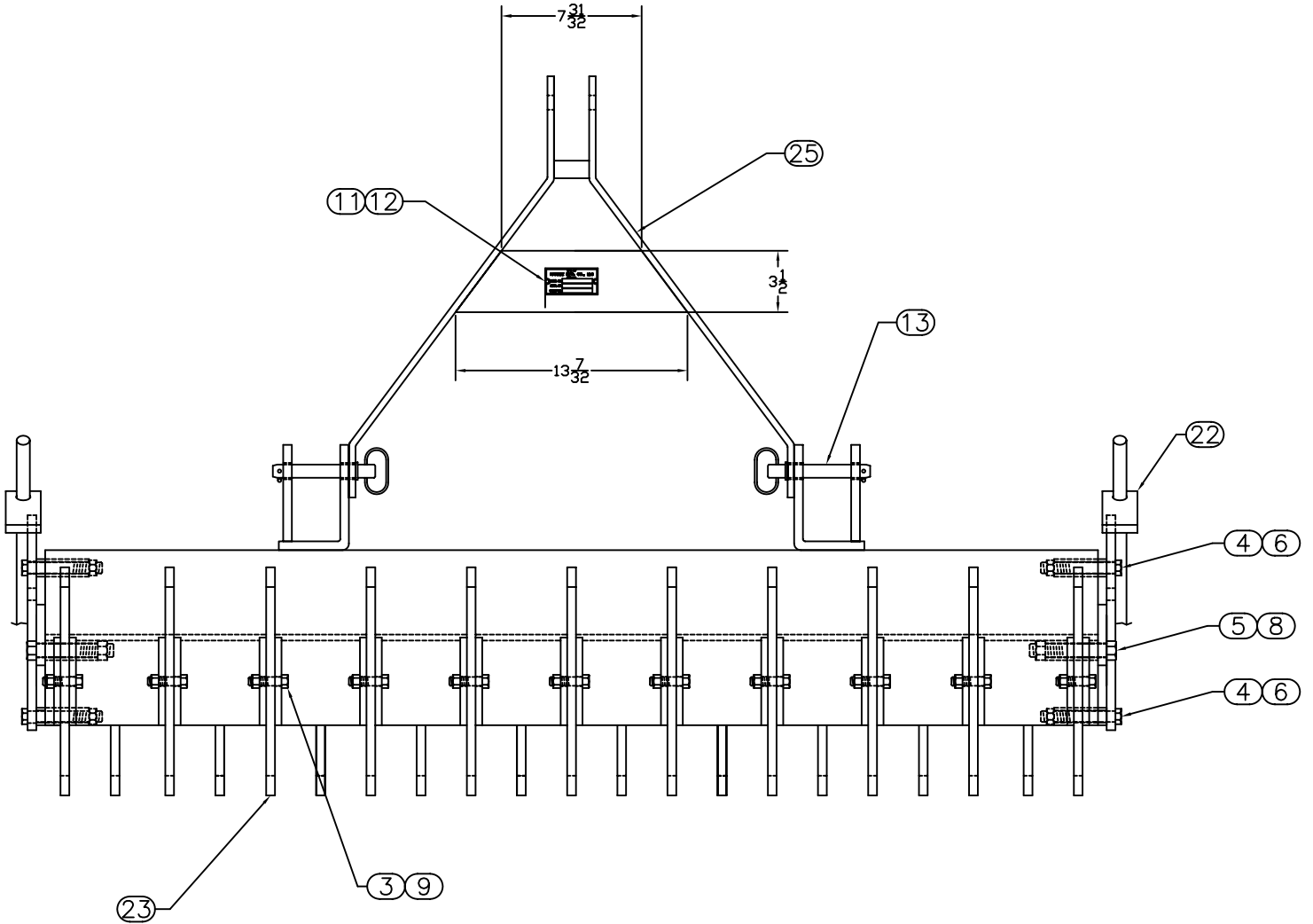
Tolerances Unless Otherwise Specified
Fractional Dimensions $\pm 1/16"$ Angular Dimensions $\pm 1'$
Decimal Dim. to Limits Shown All holes to be $+0$
 $-1/32$

DRAWN BY	J.D.S.	2/27/96	HARDEE BY EVH MFG. CO. LORIS S.C.	
CHECKED BY			APPLICATION	OLD PART #
MATERIAL	R.M.N.	N/A	AP-60	N/A
MANUFACTURED BY: HARDEE MFG. CO., L.L.C.			DESCRIPTION AP-60 PULVERIZER ASSEMBLY DRAWING	
DO NOT SCALE	A	DWG. NO.	SHEET 1 OF 4 40091	
	DWG SIZE			

ADD THIS REVISION AT NEXT
DRAWING CHANGE

See ECR Change #0980 for Details
Add Qty. (1) Each 15852, 15853

DWG. NO.			REV.	
40091			D	
REV	CHANGE	BY	DATE	ECN
IR	INITIAL RELEASE	J.D.S.	2/27/96	---
A	UP REV LEVEL TO MATCH B.O.M.	T.R.M.	12/14/99	0522
B	UP REV LEVEL TO MATCH B.O.M.	T.R.M.	12/14/99	0586
C	UPDATE DWG TO MATCH B.O.M.	T.R.M.	5/4/00	0764
D	CHANGE SERIAL # PLATE	T.R.M.	6/9/00	0792



All Dimensions in Inches Unless Otherwise Specified
Dimensions in [] are in Millimeters

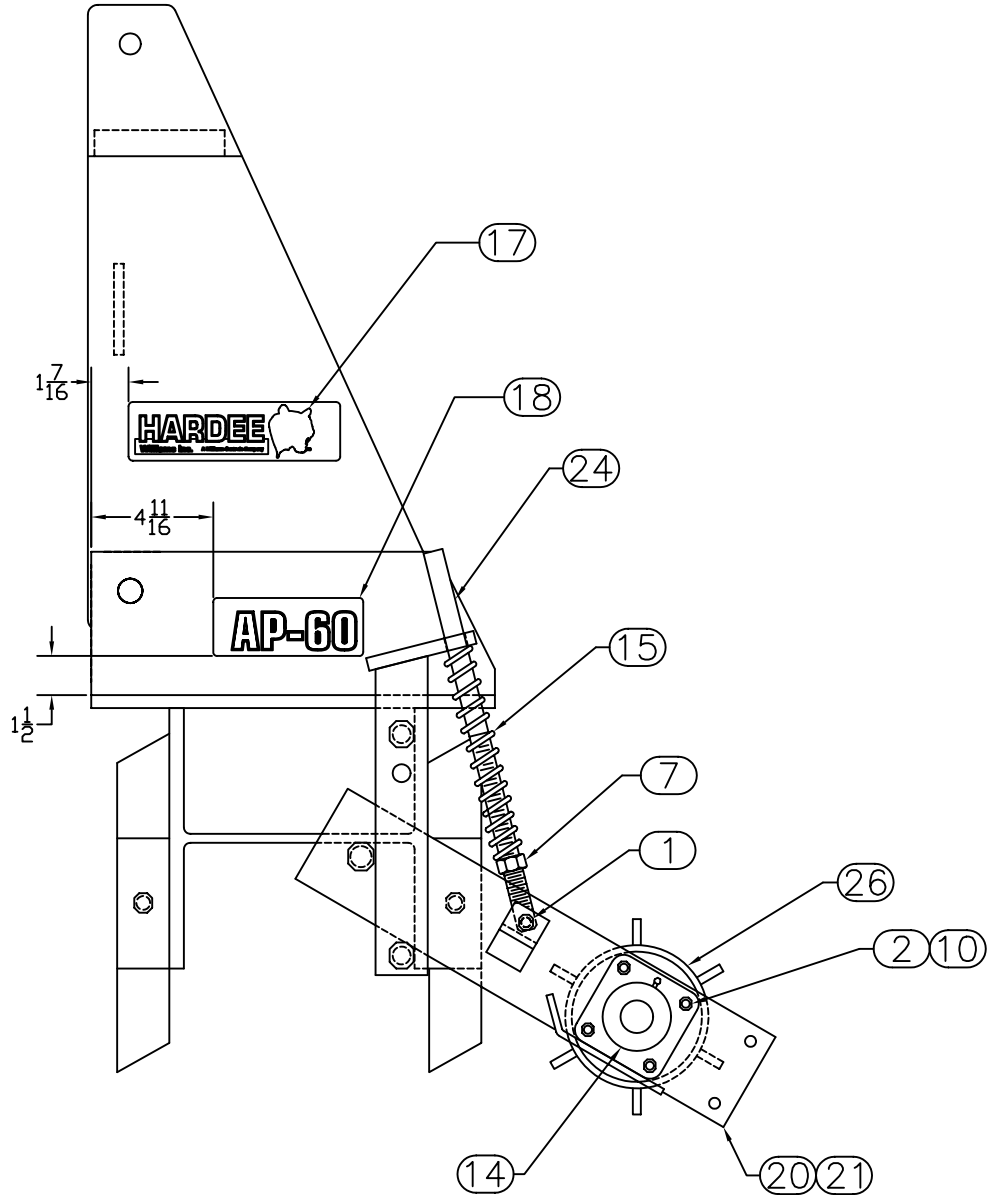
Tolerances Unless Otherwise Specified
Fractional Dimensions $\pm 1/16"$ Angular Dimensions $\pm 1^\circ$
Decimal Dim. to Limits Shown All holes to be $\begin{matrix} +0 \\ -1/32 \end{matrix}$

DRAWN BY	J.D.S.	2/27/96	HARDEE BY EVH MFG. CO. LORIS S.C.	
CHECKED BY				
MATERIAL	R.M.N. N/A		APPLICATION	OLD PART #
MANUFACTURED BY: HARDEE MFG. CO., L.L.C.			AP-60	N/A
			DESCRIPTION AP-60 PULVERIZER ASSEMBLY DRAWING	
DO NOT SCALE	A	DWG. NO.	SHEET 2 OF 4 40091	
	DWG SIZE			

**ADD THIS REVISION AT NEXT
DRAWING CHANGE**

See ECR Change #0980 for Details
Add Qty. (1) Each 15852, 15853

DWG. NO.			REV.	
40091			D	
REV	CHANGE	BY	DATE	ECN
IR	INITIAL RELEASE	J.D.S.	2/27/99	---
A	UP REV LEVEL TO MATCH B.O.M.	T.R.M.	12/14/99	0522
B	UP REV LEVEL TO MATCH B.O.M.	T.R.M.	12/14/99	0586
C	UPDATE DWG TO MATCH B.O.M.	T.R.M.	5/4/00	0764
D	CHANGE SERIAL # PLATE	T.R.M.	6/9/00	0792



DRAWN BY	J.D.S.	2/27/96	HARDEE BY EVH MFG. CO. LORIS S.C.	
CHECKED BY				
MATERIAL	R.M.N.	N/A	APPLICATION	OLD PART #
MANUFACTURED BY: HARDEE MFG. CO., L.L.C.			AP-60	N/A
			DESCRIPTION AP-60 PULVERIZER ASSEMBLY DRAWING	
DO NOT SCALE	A	DWG. NO.	SHEET 3 OF 4 40091	
	DWG SIZE			

All Dimensions in Inches Unless Otherwise Specified
Dimensions in [] are in Millimeters

Tolerances Unless Otherwise Specified
Fractional Dimensions $\pm 1/16"$ Angular Dimensions $\pm 1'$
Decimal Dim. to Limits Shown All holes to be $\begin{matrix} +0 \\ -1/32 \end{matrix}$

DWG. NO.

40091

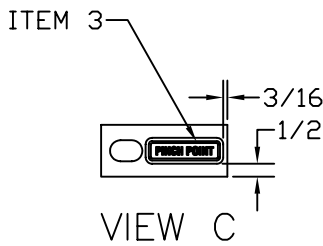
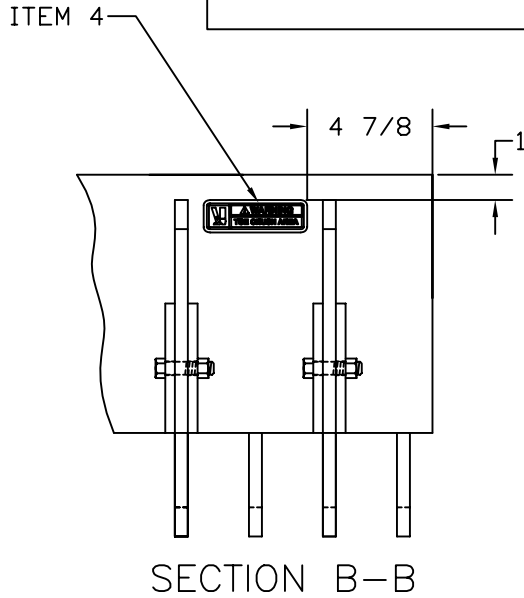
REV.

D

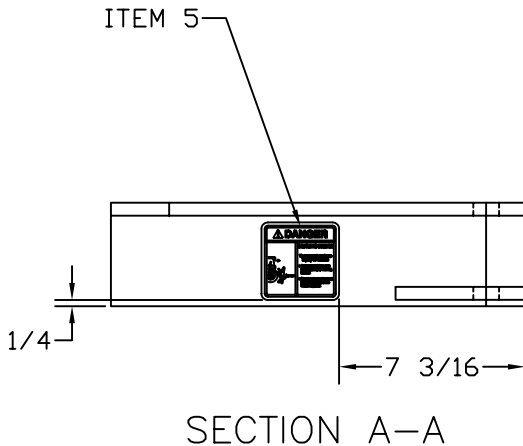
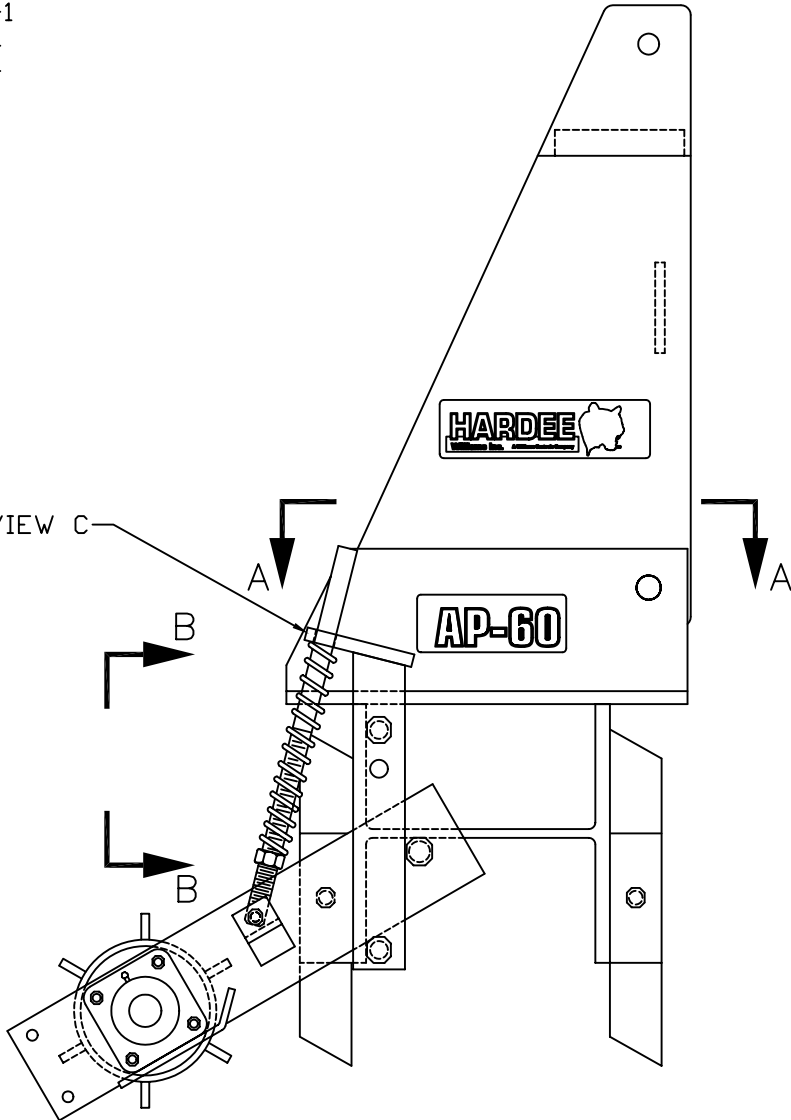
ADD THIS REVISION AT NEXT DRAWING CHANGE

See ECR Change #0980 for Details
Add Qty. (1) Each 15852, 15853

REV	CHANGE	BY	DATE	ECN
IR	INITIAL RELEASE	M.J.T.	12/23/97	----
A	UP REV LEVEL TO MATCH B.O.M.	T.R.M.	12/14/99	0522
B	UP REV LEVEL TO MATCH B.O.M.	T.R.M.	12/14/99	0586
C	UPDATE DWG TO MATCH B.O.M.	T.R.M.	5/4/00	0764
D	CHANGE SERIAL # PLATE	T.R.M.	6/9/00	0792



SEE VIEW C



ITEM 19	
DECAL USAGE CHART	
QTY REQD.	NOMENCLATURE OR DESCRIPTION
2	ITEM 3
2	ITEM 4
2	ITEM 5

DRAWN BY	M.J.T.	6/30/99
CHECKED BY		

**HARDEE BY
EVH MFG. CO.
LORIS S.C.**

MATERIAL R.M.N.
MANUFACTURED BY:
HARDEE MFG. CO., L.L.C.

APPLICATION	OLD PART #
AP-60	N/A
DESCRIPTION AP-60 PULVERIZER COMPLETE	

All Dimensions in Inches Unless Otherwise Specified
Dimensions in [] are in Millimeters

Tolerances Unless Otherwise Specified
Fractional Dimensions $\pm 1/16"$ Angular Dimensions $\pm 1^\circ$
Decimal Dim. to Limits Shown All holes to be $\begin{matrix} +0 \\ -1/32 \end{matrix}$

DO NOT SCALE	A	DWG. NO.
DWG SIZE		SHEET 4 OF 4 40091