

ITEM NO.	PART NUMBER	QTY REQD.	NOMENCLATURE OR DESCRIPTION
1	33000	1	50 GAL. MINI PRO FRAME WELDMENT
2	14985	1	50 GALLON BLACK POLY TANK
3	30332	2	TANK SADDLE WELDMENT
4	15477	112"	2" WEBBING STRAP
5	10175	8	LOCK NUT (3/8" PLATED)
6	10202	12	FLAT WASHER (3/8" PLATED)
7	10031	4	HEX BOLT (3/8" X 1" GR.5 PLATED)
8	13355	4	3/4" NPT X 3/4" POLY H.B. ELBOW
9	13361	3	1 1/4" NPT X 3/4" HB ELBOW
10	10797	13"	3/4" I.D. HOSE, CLEAR
11	13531	2	5/8" X 3/4" S.S. HS CLAMP
12	10339	2	POP RIVOTS
13	11727	1	SERIAL NUMBER PLATE
14	13860	1	1" CAP (POLY)
15	10773	1	AGITATOR
16	13731	1	NIPPLE, 1" MNPT X 13"
17	13079	1	U BOLT, 1/4"-20 X 1-1/4" X 2-1/4" X 1-1/4"
18	10154	2	5/16" PLATED LOCK NUT
19	10201	2	5/16" WASHER
20	10799	3	TANK FITTING
21	10800	3	TANK FITTING O-RING
22	10804	1	BALL
23	10801	3	3/4"HB X 3/4" NPT "L" W/FLANGE
24	10818	1	1 1/4" TANK FITTING NUT
25	10816	1	3/4" DBL. THRD. POLY TANK FITTING
26	14052	1	FITTING - 1 1/4" AV
27	14077	1	O-RING
28	10824	42"	CLEAR SUCTION HOSE

DWG. NO.			REV.	
30902			C	
REV	CHANGE	BY	DATE	ECN
IR	INITIAL RELEASE	W.E.S.	9/1/98	---
A	ADD PART NUMBERS	M.J.T.	8/24/99	0661
B	CHANGE PART NUMBER	T.R.M.	1/28/00	0743
C	CHANGE SERIAL # PLATE	T.R.M.	6/8/00	0792

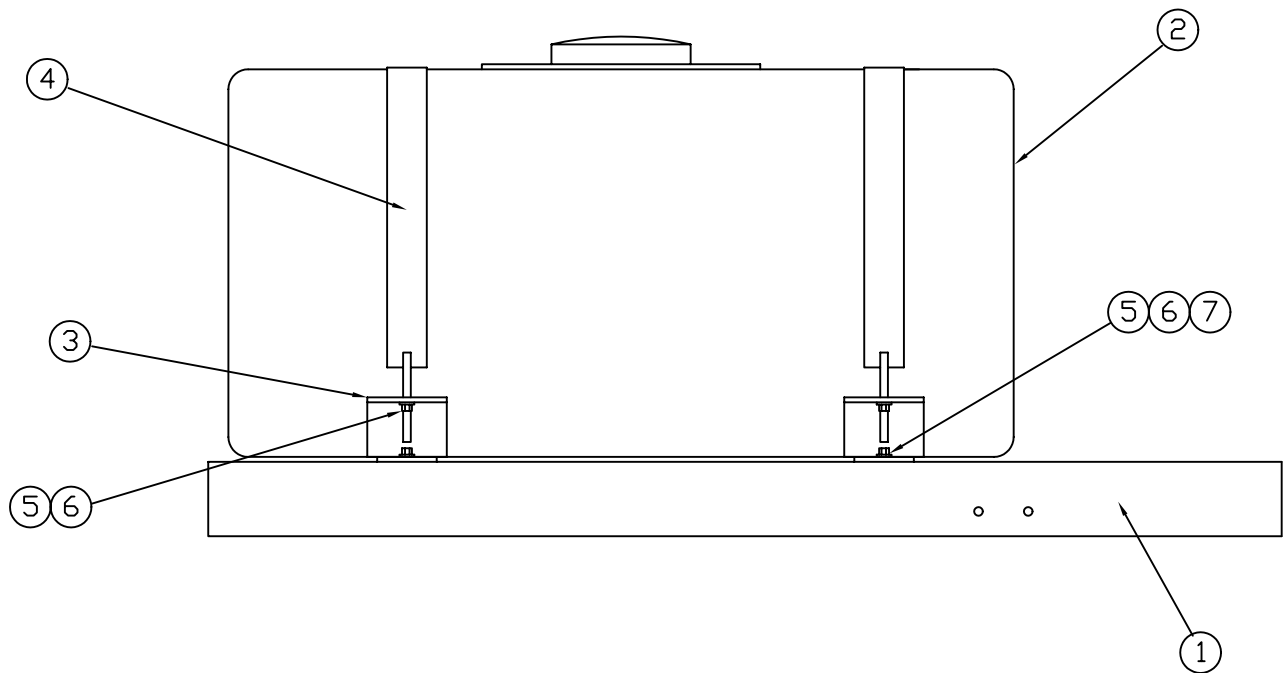
29	13533	2	CLAMP FITS HOSE 1" TO 1 1/4"
30	13493	1	1" NPT CLOSE NIPPLE (POLY)
31	13887	1	1" NPT X 1" HOSE BARB ELBOW (POLY)
32	11616	1	1" FNPT TEE (POLY)
33	11617	1	1 1/4" NPT X 1" NPT REDUCER (POLY)
34	10802	3	3/4" FNPT NUT W/FLANGE
35	10803	3	3/4" RUBBER SEAL

All Dimensions in Inches Unless Otherwise Specified  
Dimensions in [ ] are in Millimeters

Tolerances Unless Otherwise Specified  
Fractional Dimensions ±1/16" Angular Dimensions ±1°  
Decimal Dim. to Limits Shown All holes to  $\begin{matrix} +0 \\ \pm 1/32 \end{matrix}$

DRAWN BY	W.E.S.	9/1/98	<b>HARDEE BY  EVH MFG. CO.  LORIS S.C.</b>	
CHECKED BY				
MATERIAL	R.M.N.		APPLICATION	OLD PART #
			MINI PRO-50	----
			DESCRIPTION 50 GALLON MINI-PRO TANK AND FRAME ASSEMBLY	
DO NOT SCALE	A	DWG. NO.	SHEET 1 OF 5	
	DWG SIZE	30902		

DWG. NO.			REV.	
30902			C	
REV	CHANGE	BY	DATE	ECN
IR	INITIAL RELEASE	W.E.S.	9/1/98	---
A	ADD PART NUMBERS	M.J.T.	8/24/99	0661
B	CHANGE PART NUMBER	T.R.M.	1/28/00	0743
C	CHANGE SERIAL # PLATE	T.R.M.	6/8/00	0792



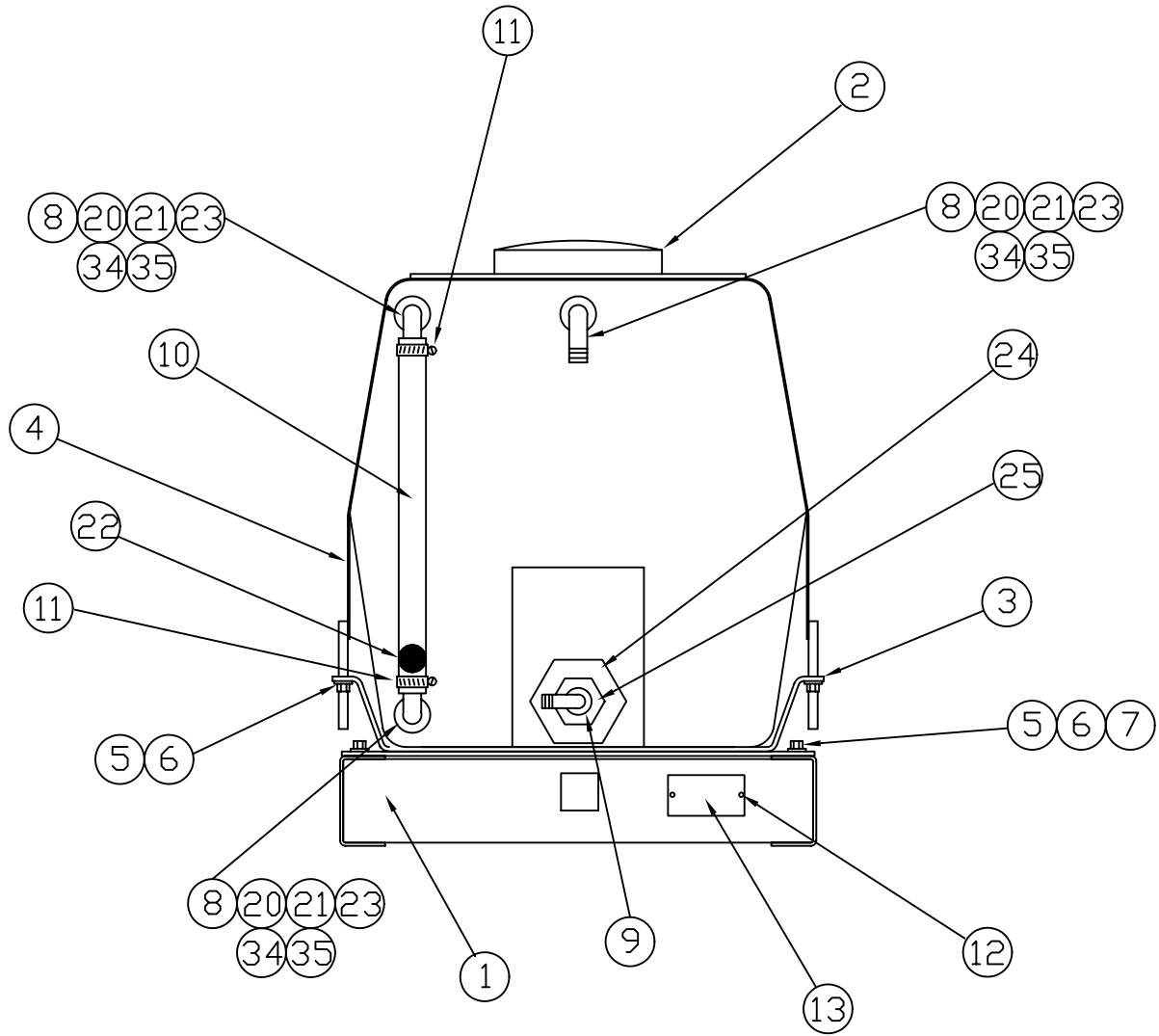
RIGHT SIDE VIEW

All Dimensions in Inches Unless Otherwise Specified  
 Dimensions in [ ] are in Millimeters

Tolerances Unless Otherwise Specified  
 Fractional Dimensions  $\pm 1/16"$  Angular Dimensions  $\pm 1^\circ$   
 Decimal Dim. to Limits Shown All holes to  $b_{+0}^{+0.001}$

DRAWN BY	W.E.S.	9/1/98	<b>HARDEE BY          EVH MFG. CO.          LORIS S.C.</b>	
CHECKED BY				
MATERIAL	R.M.N.		APPLICATION	OLD PART #
MANUFACTURED BY HARDEE MFG. CO., LLC			MINI PRO-50	----
			DESCRIPTION 50 GALLON MINI-PRO TANK AND FRAME ASSEMBLY	
DO NOT SCALE	A	DWG. NO.	SHEET 2 OF 5	
	DWG SIZE	30902		

DWG. NO.			REV.	
30902			C	
REV	CHANGE	BY	DATE	ECN
IR	INITIAL RELEASE	W.E.S.	9/1/98	---
A	ADD PART NUMBERS	M.J.T.	8/24/99	0661
B	CHANGE PART NUMBER	T.R.M.	1/28/00	0743
C	CHANGE SERIAL # PLATE	T.R.M.	6/8/00	0792



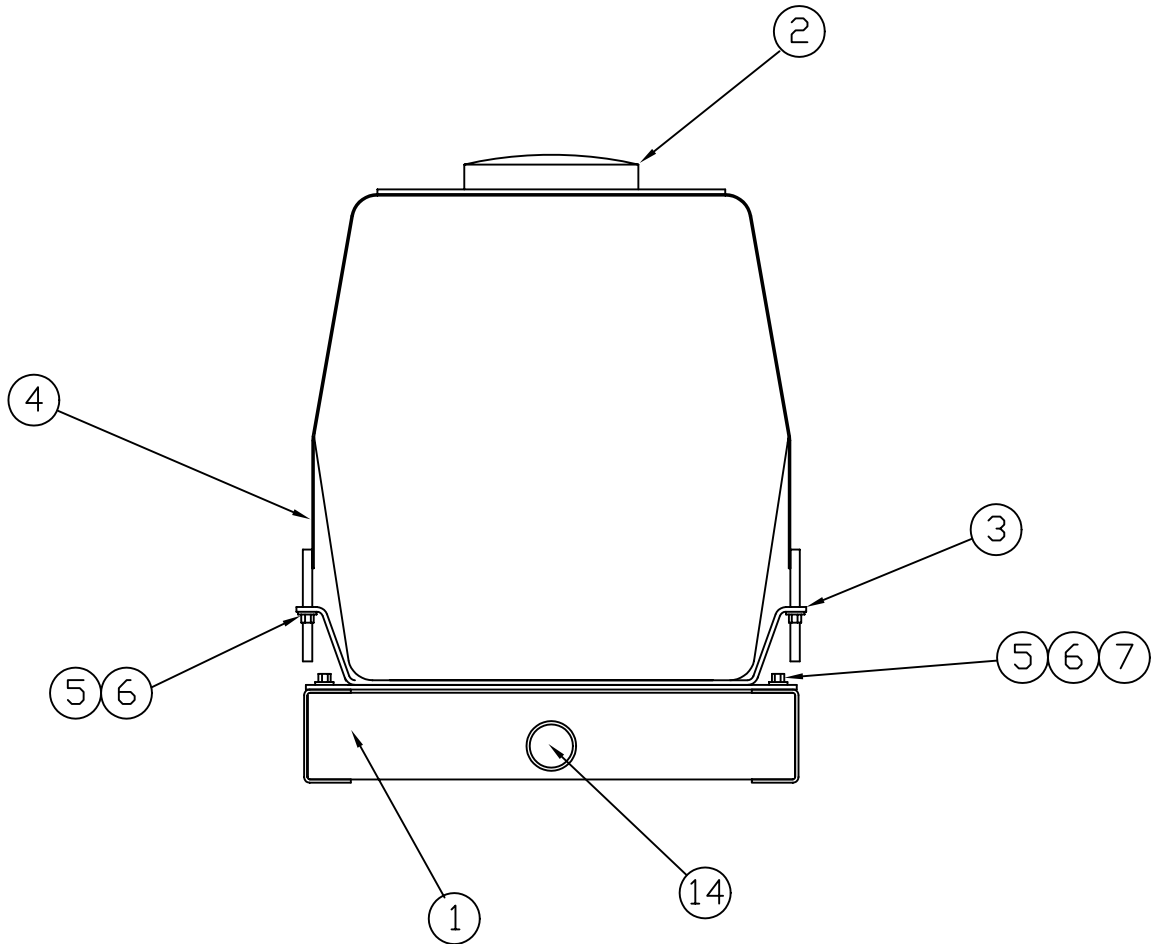
FRONT VIEW

All Dimensions in Inches Unless Otherwise Specified  
 Dimensions in [ ] are in Millimeters

Tolerances Unless Otherwise Specified  
 Fractional Dimensions  $\pm 1/16"$  Angular Dimensions  $\pm 1^\circ$   
 Decimal Dim. to Limits Shown All holes to  $b_{+0}^{+0.01/32}$

DRAWN BY	W.E.S.	9/1/98	<b>HARDEE BY          EVH MFG. CO.          LORIS S.C.</b>	
CHECKED BY				
MATERIAL	R.M.N.		APPLICATION	OLD PART #
MANUFACTURED BY HARDEE MFG. CO., LLC			MINI PRO-50	----
			DESCRIPTION 50 GALLON MINI-PRO TANK AND FRAME ASSEMBLY	
DO NOT SCALE	A	DWG. NO.	SHEET 3 OF 5	
DWG SIZE	30902			

DWG. NO.			REV.	
30902			C	
REV	CHANGE	BY	DATE	ECN
IR	INITIAL RELEASE	W.E.S.	9/1/98	---
A	ADD PART NUMBERS	M.J.T.	8/24/99	0661
B	CHANGE PART NUMBER	T.R.M.	1/28/00	0743
C	CHANGE SERIAL # PLATE	T.R.M.	6/8/00	0792



REAR VIEW

All Dimensions in Inches Unless Otherwise Specified  
 Dimensions in [ ] are in Millimeters

Tolerances Unless Otherwise Specified  
 Fractional Dimensions  $\pm 1/16"$  Angular Dimensions  $\pm 1^\circ$   
 Decimal Dim. to Limits Shown All holes to  $b_{+0}^{+0.001}$

DRAWN BY	W.E.S.	9/1/98	<b>HARDEE BY          EVH MFG. CO.          LORIS S.C.</b>	
CHECKED BY				
MATERIAL	R.M.N.		APPLICATION	OLD PART #
MANUFACTURED BY HARDEE MFG. CO., LLC			MINI PRO-50	----
			DESCRIPTION 50 GALLON MINI-PRO TANK AND FRAME ASSEMBLY	
DO NOT SCALE	A	DWG. NO.	SHEET 4 OF 5	
	DWG SIZE	30902		

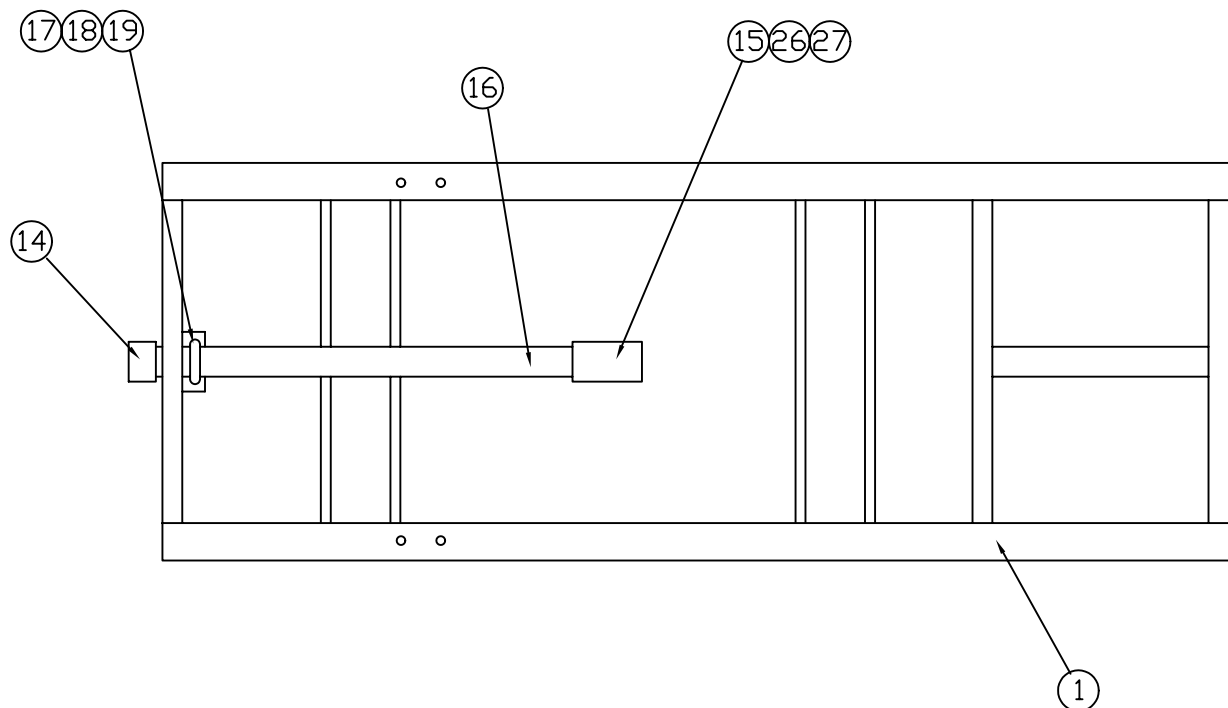
DWG. NO.

30902

REV.

C

REV	CHANGE	BY	DATE	ECN
IR	INITIAL RELEASE	W.E.S.	9/1/98	---
A	ADD PART NUMBERS	M.J.T.	8/24/99	0661
B	CHANGE PART NUMBER	T.R.M.	1/28/00	0743
C	CHANGE SERIAL # PLATE	T.R.M.	6/8/00	0792



BOTTOM VIEW

All Dimensions in Inches Unless Otherwise Specified  
 Dimensions in [ ] are in Millimeters

Tolerances Unless Otherwise Specified  
 Fractional Dimensions  $\pm 1/16"$  Angular Dimensions  $\pm 1^\circ$   
 Decimal Dim. to Limits Shown All holes to  $b_{+0}^{+0.001}$

DRAWN BY	W.E.S.	9/1/98	<b>HARDEE BY                  EVH MFG. CO.                  LORIS S.C.</b>	
CHECKED BY				
MATERIAL	R.M.N.		APPLICATION	OLD PART #
MANUFACTURED BY HARDEE MFG. CO., LLC			MINI PRO-50	----
			DESCRIPTION 50 GALLON MINI-PRO TANK AND FRAME ASSEMBLY	
DO NOT SCALE	A	DWG. NO.	SHEET 5 OF 5	
	DWG SIZE	30902		