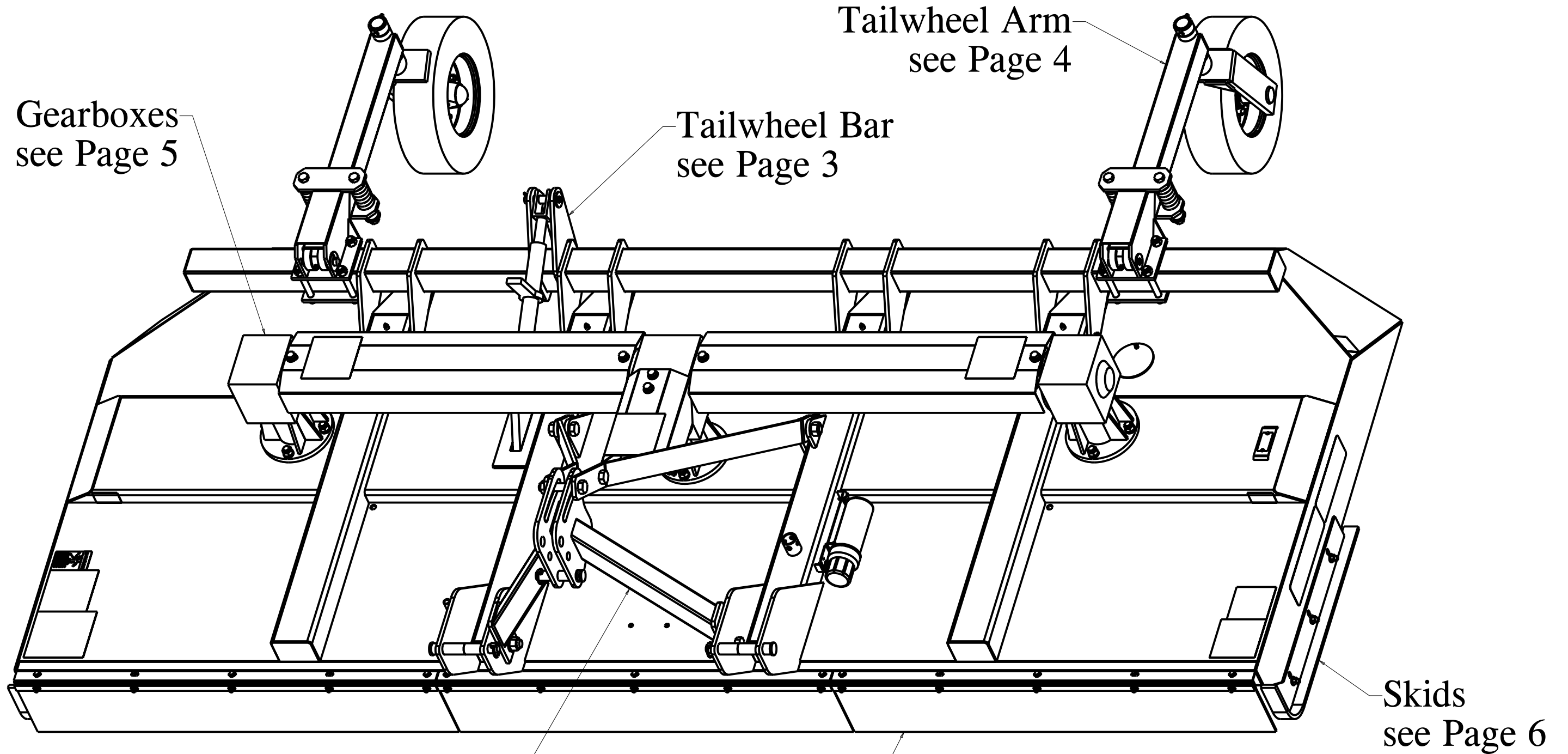


DWG. NO.	25224			REV.	A
REV	CHANGE	BY	DATE	ECN	
IR	INITIAL RELEASE	J.O.C.	10/27/04	--	
A	5 LUG HUBS WERE 6 LUG HUBS	C.K.N.	9/27/11	1460	



Blades
see Page 8

A-Frame
see Page 2

Belting
see Page 7

Skids
see Page 6

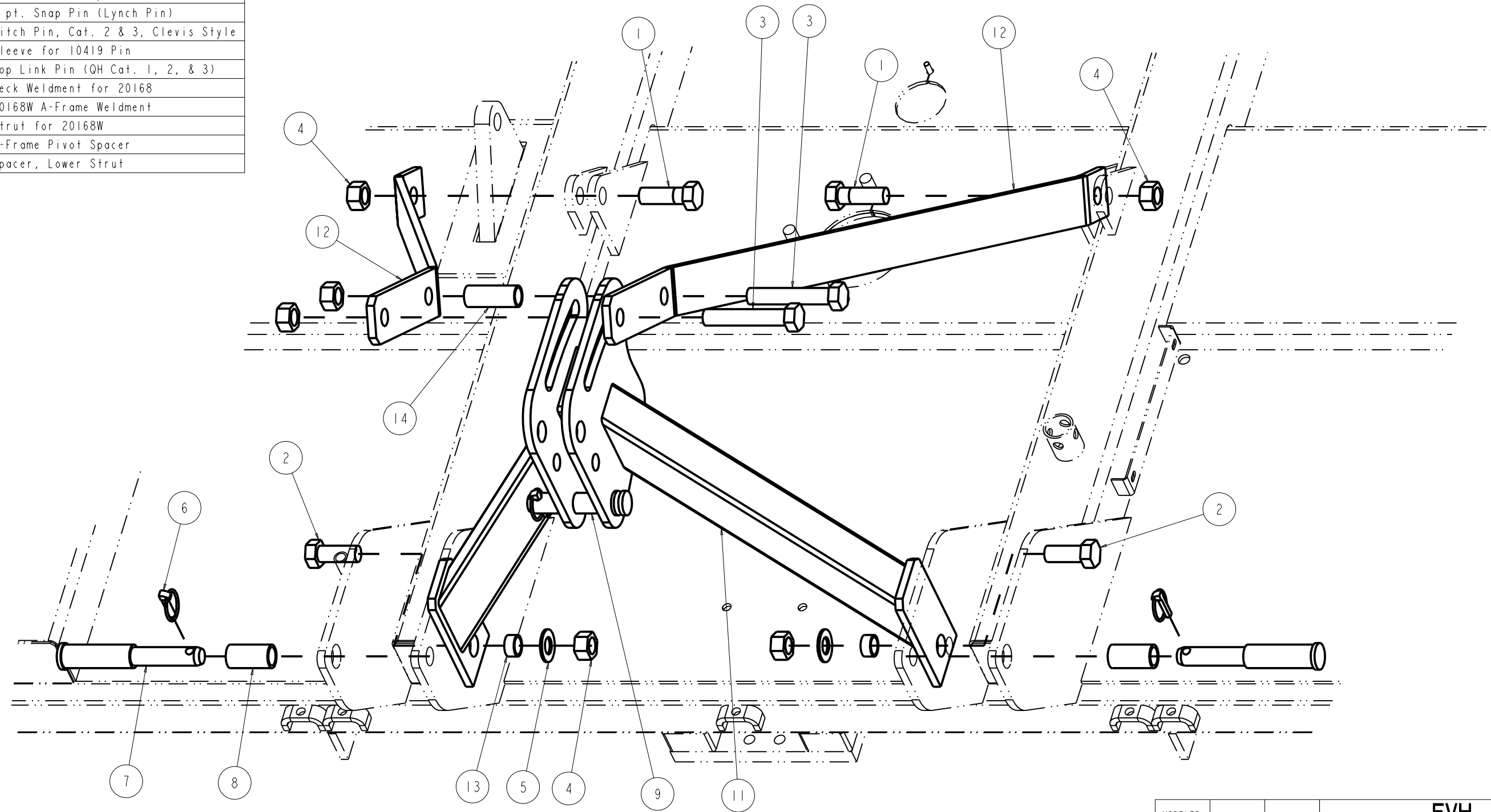
MODELED BY	J.O.C.	10/27/04	EVH MFG. CO. LORIS S.C.	
DRAWN BY	J.O.C.	10/27/04		
MATERIAL	R.M.N. N/A	DESCRIPTION		SHEET 1 of 8
Manufactured By: EVH Mfg. Co., LLC			20168W Complete	
DO NOT SCALE	B DWG SIZE	DWG. NO.	25224	

All Dimensions in Inches Unless Otherwise Specified
Dimensions in [] are in Millimeters
Tolerance Unless Otherwise Specified
Fractional Dimensions $\pm 1/16"$ Angular Dimensions $\pm 1^\circ$
Decimal Dim. to Limits Shown All Holes to be $+0 -1/32"$

Item	Part Number	Qty.	Description
1	10127	2	Hex Bolt 1 x 3 gr.5 plated
2	10128	2	Hex Bolt 1" x 2-1/2" gr.5 plated
3	10134	2	Hex Bolt 1" x 5-1/2" gr.5 plated
4	10171	6	Lock Nut 1" plated
5	10207	2	Flatwasher, 1" plated
6	10346	3	3 pt. Snap Pin (Lynch Pin)
7	10419	2	Hitch Pin, Cat. 2 & 3, Clevis Style
8	10538	2	Sleeve for 10419 Pin
9	15875	1	Top Link Pin (OH Cat. 1, 2, & 3)
10	25225	1	Deck Weldment for 20168
11	25264	1	20168W A-Frame Weldment
12	25277	2	Strut for 20168W
13	25278	2	A-Frame Pivot Spacer
14	25281	1	Spacer, Lower Strut

A-Frame

DWG. NO.	25224		REV.	A
REV	CHANGE	BY	DATE	ECN
IR	INITIAL RELEASE	J.o.c.	10/27/04	- - -
A	5 LUG HUBS WERE 6 LUG HUBS	c.k.n.	9/27/11	1460

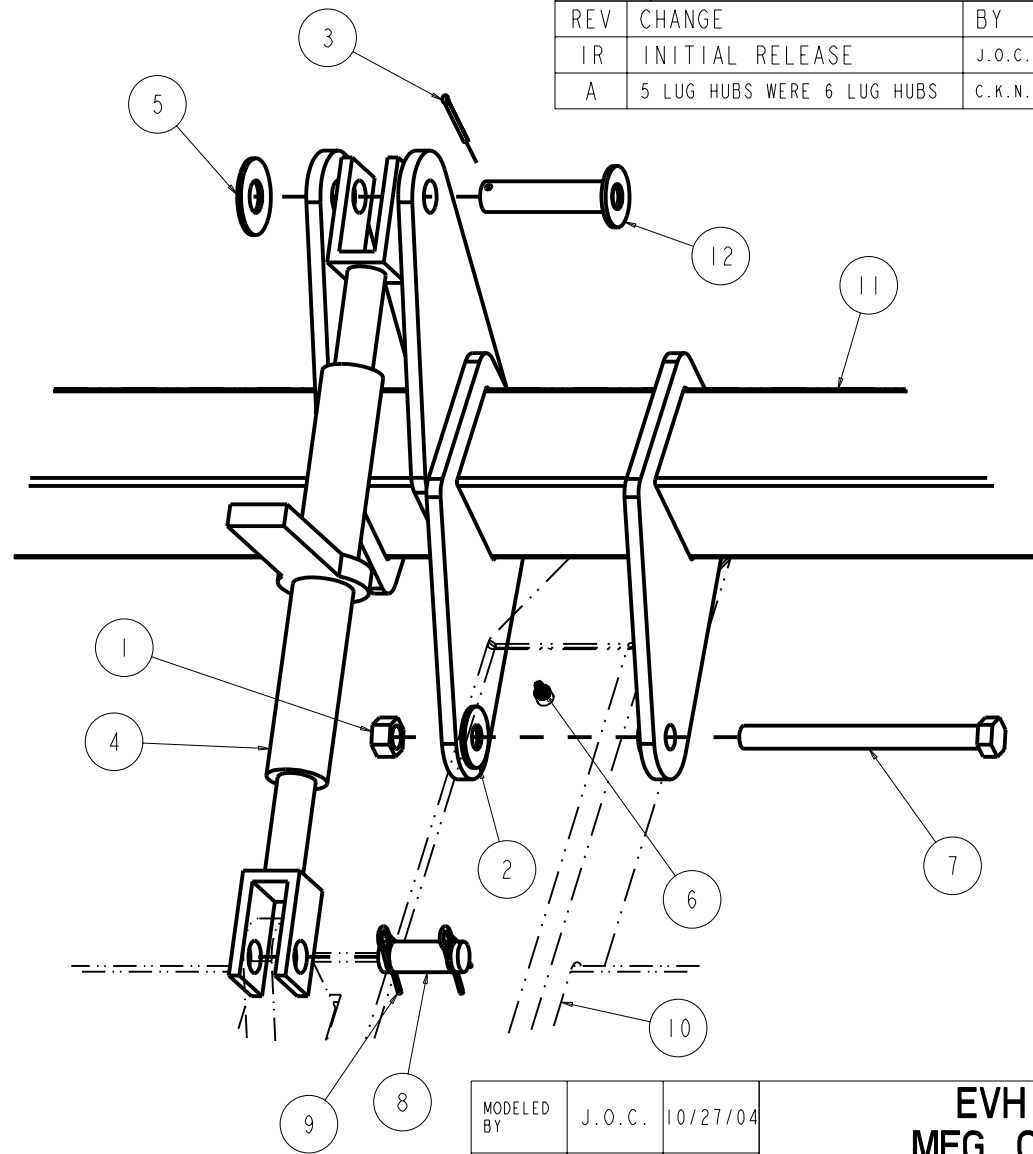


All Dimensions in Inches Unless Otherwise Specified
 Dimensions in [] are in Millimeters
 Tolerance Unless Otherwise Specified
 Fractional Dimensions $\pm 1/16"$ Angular Dimensions $\pm 1^\circ$
 Decimal Dim. to Limits Shown All Holes to be $+0 -1/32"$

MODELED BY	J.O.C.	10/27/04	EVH MFG. CO. LORIS S.C.
DRAWN BY	J.O.C.	10/27/04	
MATERIAL	R.M.N. N/A		DESCRIPTION
Manufactured By: EVH Mfg. Co., LLC			20168W Complete
DO NOT SCALE	B DWG SIZE	DWG. NO.	SHEET 2 of 8
		25224	

Item	Part Number	Qty.	Description
1	10168	4	3/4"-10 Locknut (Gr.5 Plated)
2	10206	8	Flatwasher 3/4 plated
3	10243	1	Cotter Pin 5/32" X 2" Plated
4	10343	1	Ratchet Jack
5	11524	1	Flatwasher 1", USS, Plated
6	13488	4	1/8" NPT Grease Fitting
7	15446	4	Hex Bolt(3/4"X8-1/2" Gr. 5 Plated)
8	15447	1	1" X 2-13/16" Pin
9	15448	2	Clip for 15447 Ratchet Jack Pin
10	25225	1	Deck Weldment for 20168
11	25262	1	Tailwheel Bar Weldment
12	25435	1	Pin Weldment (4-1/2")

DWG. NO.	25224			REV.	A
REV	CHANGE	BY	DATE	ECN	
IR	INITIAL RELEASE	J.O.C.	10/27/04	- - -	
A	5 LUG HUBS WERE 6 LUG HUBS	C.K.N.	9/27/11	1460	



Tailwheel Bar & Ratchet Jack

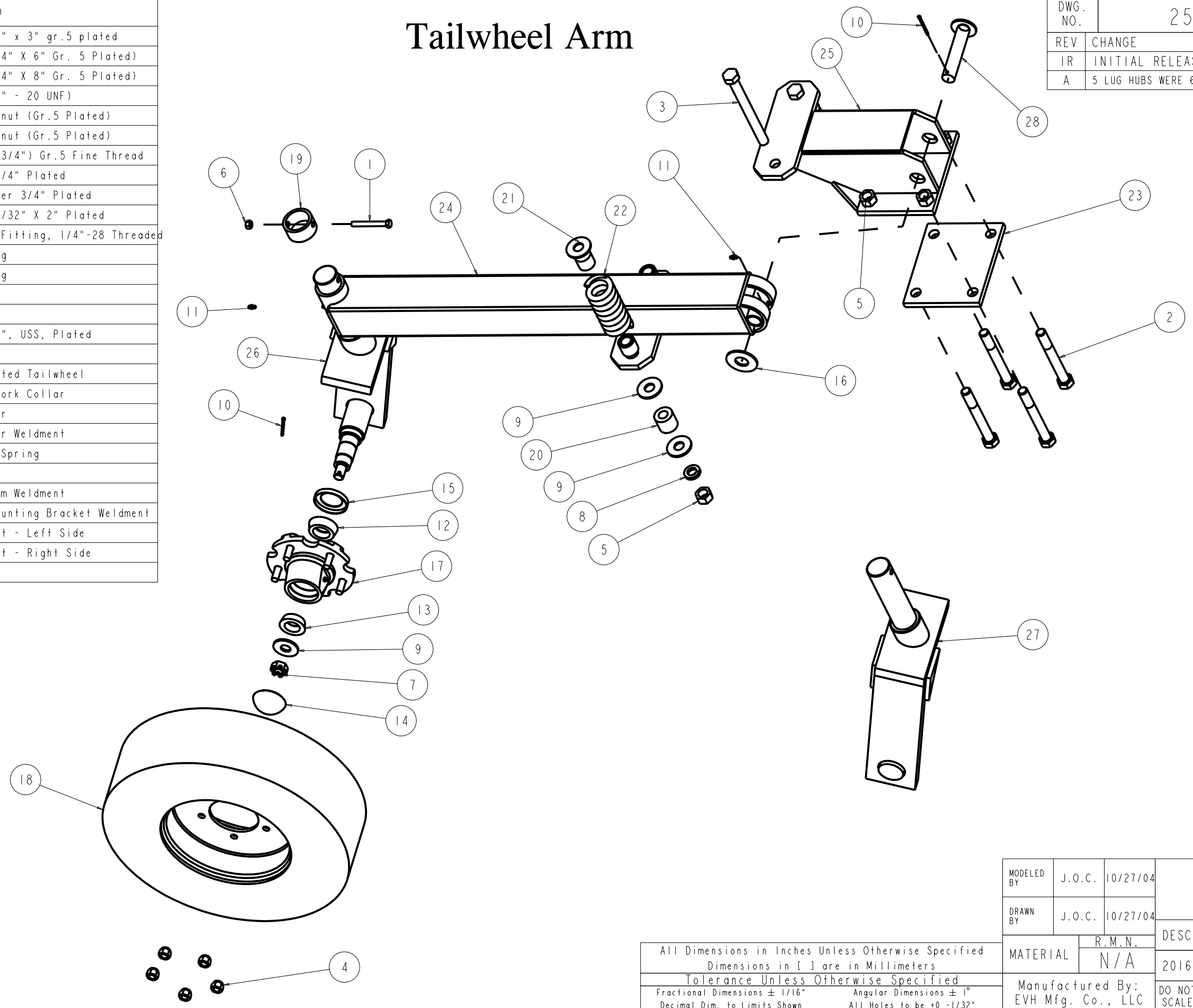
MODELED BY	J.O.C.	10/27/04	EVH MFG. CO. LORIS S.C.	
DRAWN BY	J.O.C.	10/27/04		
MATERIAL	R.M.N.	N/A	DESCRIPTION	SHEET 3 of 8
Manufactured By: EVH Mfg. Co., LLC			20168W Complete	
DO NOT SCALE	A	DWG. NO.	25224	

All Dimensions in Inches Unless Otherwise Specified
 Dimensions in [] are in Millimeters
 Tolerance Unless Otherwise Specified
 Fractional Dimensions ± 1/16" Angular Dimensions ± 1°
 Decimal Dim. to Limits Shown All Holes to be +0 -1/32"

Item	Part Number	Qty.	Description
1	10035	2	Hex Bolt 3/8" x 3" gr.5 plated
2	10119	8	Hex Bolt (3/4" X 6" Gr. 5 Plated)
3	10121	4	Hex Bolt (3/4" X 8" Gr. 5 Plated)
4	10150	10	Lug Nut (1/2" - 20 UNF)
5	10168	12	3/4"-10 Locknut (Gr.5 Plated)
6	10175	2	3/8"-16 Locknut (Gr.5 Plated)
7	10179	2	Castle Nut (3/4") Gr.5 Fine Thread
8	10186	4	Lockwasher 3/4" Plated
9	10211	10	USS Flatwasher 3/4" Plated
10	10243	4	Cotter Pin 5/32" X 2" Plated
11	10322	4	1/4" Grease Fitting, 1/4"-28 Threaded
12	10437	2	Inner Bearing
13	10438	2	Outer Bearing
14	10439	2	Dust Cap
15	10440	2	Grease Seal
16	11524	2	Flatwasher 1", USS, Plated
17	16539	2	HUB
18	16540	2	6 X 9 Laminated Tailwheel
19	20010	2	Tail Wheel Fork Collar
20	21020	4	Rubber Spacer
21	25175	4	Spring Spacer Weldment
22	25194	4	Compression Spring
23	25199	2	Bottom Flat
24	25212	2	Tailwheel Arm Weldment
25	25213	2	Tailwheel Mounting Bracket Weldment
26	25293	1	Yoke Weldment - Left Side
27	25294	1	Yoke Weldment - Right Side
28	25425	2	Pin Weldment

Tailwheel Arm

DWG. NO.	25224			REV.	A
REV	CHANGE	BY	DATE	ECN	
IR	INITIAL RELEASE	J.O.C.	10/27/04	--	
A	5 LUG HUBS WERE 6 LUG HUBS	C.K.N.	9/27/11	1460	

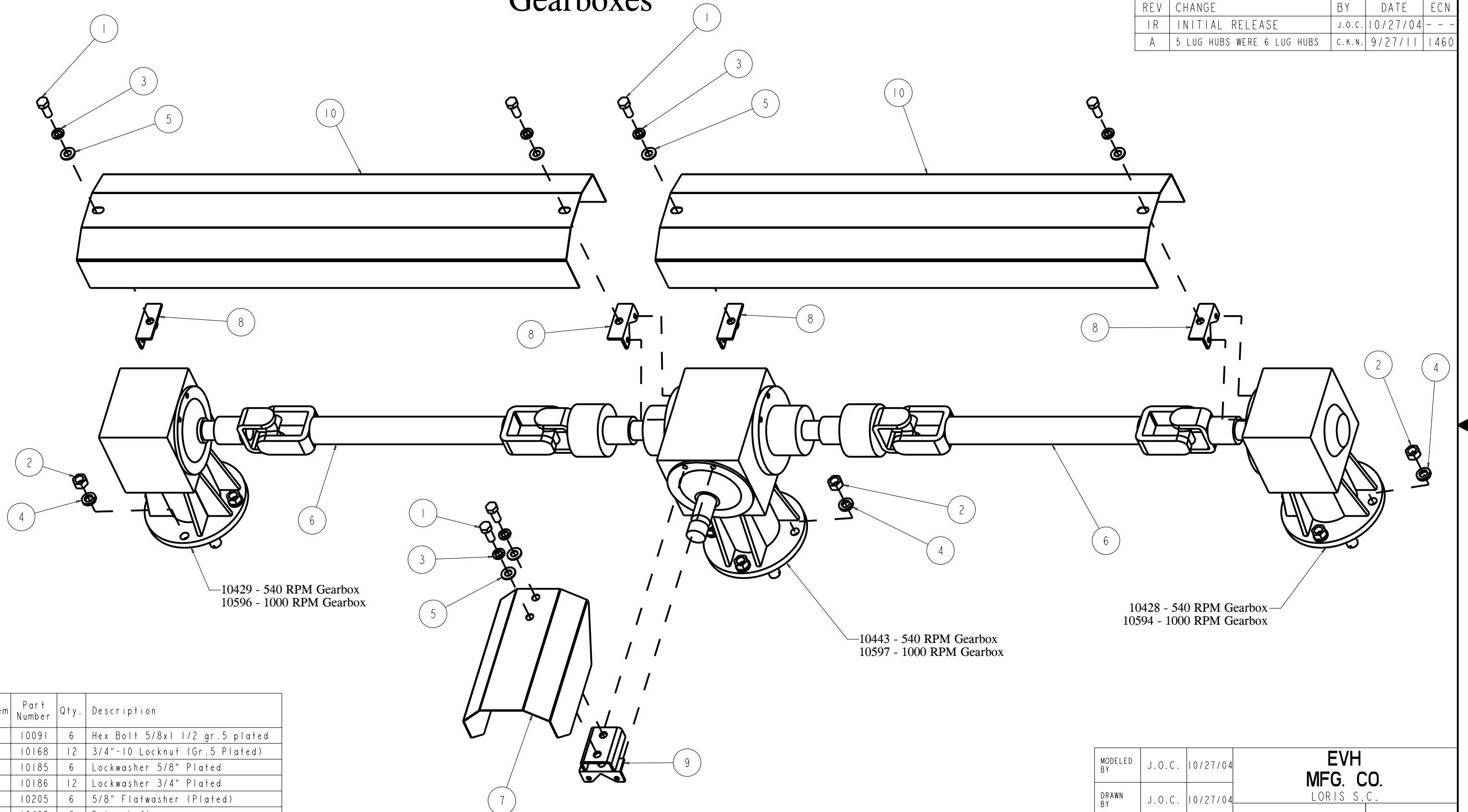


All Dimensions in Inches Unless Otherwise Specified
 Dimensions in [] are in Millimeters
 Tolerance Unless Otherwise Specified
 Fractional Dimensions ± 1/16" Angular Dimensions ± 1°
 Decimal Dim. to Limits Shown All Holes to be +0 -1/32"

MODELED BY	J.O.C.	10/27/04	EVH MFG. CO. LORIS S.C.	
DRAWN BY	J.O.C.	10/27/04		
MATERIAL	R.M.N. N/A		DESCRIPTION	SHEET 4 of 8
Manufactured By: EVH Mfg. Co., LLC			20168W Complete	
DO NOT SCALE	B DWG SIZE	DWG. NO.	25224	

Gearboxes

DWG. NO.	25224	REV.	A
REV	CHANGE	BY	DATE
IR	INITIAL RELEASE	J.O.C.	10/27/04
A	5 LUG HUBS WERE 6 LUG HUBS	C.K.N.	9/27/11



10429 - 540 RPM Gearbox
10596 - 1000 RPM Gearbox

10443 - 540 RPM Gearbox
10597 - 1000 RPM Gearbox

10428 - 540 RPM Gearbox
10594 - 1000 RPM Gearbox

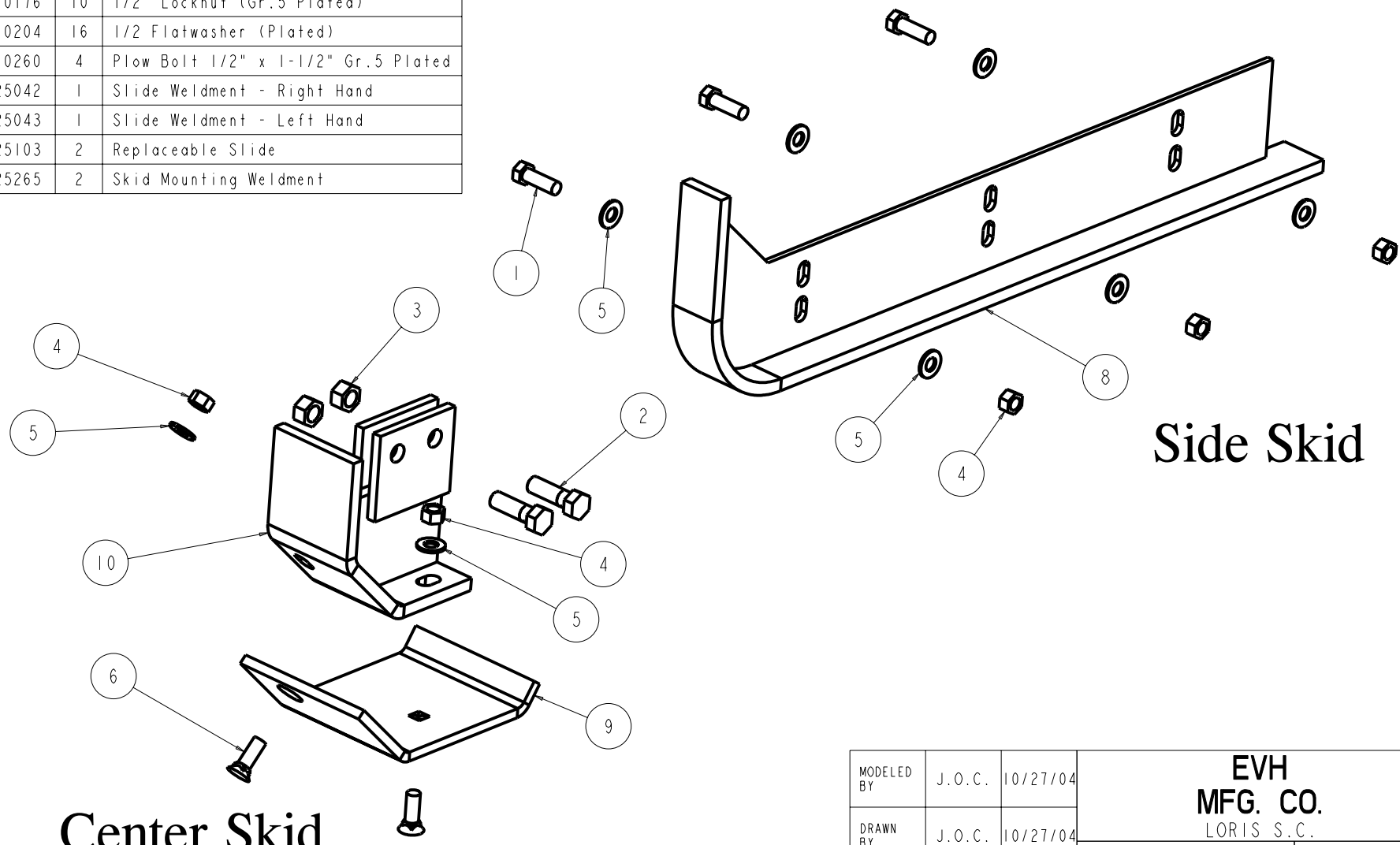
Item	Part Number	Qty.	Description
1	10091	6	Hex Bolt 5/8x1 1/2 gr.5 plated
2	10168	12	3/4"-10 Locknut (Gr.5 Plated)
3	10185	6	Lockwasher 5/8" Plated
4	10186	12	Lockwasher 3/4" Plated
5	10205	6	5/8" Flatwasher (Plated)
6	10462	2	Driveshaft
7	25129	1	Shield, Front
8	25285	4	Shield Bracket Weldment
9	25286	1	Shield Bracket Weldment, Front
10	25287	2	Shield, Outtrigger

All Dimensions in Inches Unless Otherwise Specified
Dimensions in [] are in Millimeters
Tolerance Unless Otherwise Specified
Fractional Dimensions ± 1/16" Angular Dimensions ± 1°
Decimal Dim. to Limits Shown All Holes to be +0 -1/32"

MODELED BY	J.O.C.	10/27/04	EVH MFG. CO.	
DRAWN BY	J.O.C.	10/27/04	LORIS S.C.C.	
MATERIAL	R.M.N. N/A		DESCRIPTION	SHEET 5 of 8
Manufactured By: EVH Mfg. Co., LLC			20168W Complete	
DO NOT SCALE	DWG SIZE	B	DWG. NO.	25224

Item	Part Number	Qty.	Description
1	10072	6	Hex Bolt 1/2 x 1 1/2 gr.5 plated
2	10092	4	Hex Bolt 5/8 x 2 gr.5 plated
3	10166	4	Lock Nut 5/8"-11 plated
4	10176	10	1/2" Locknut (Gr.5 Plated)
5	10204	16	1/2 Flatwasher (Plated)
6	10260	4	Plow Bolt 1/2" x 1-1/2" Gr.5 Plated
7	25042	1	Slide Weldment - Right Hand
8	25043	1	Slide Weldment - Left Hand
9	25103	2	Replaceable Slide
10	25265	2	Skid Mounting Weldment

DWG. NO.	25224			REV.	A
REV	CHANGE	BY	DATE	ECN	
IR	INITIAL RELEASE	J.O.C.	10/27/04	---	
A	5 LUG HUBS WERE 6 LUG HUBS	C.K.N.	9/27/11	1460	



Center Skid

Side Skid

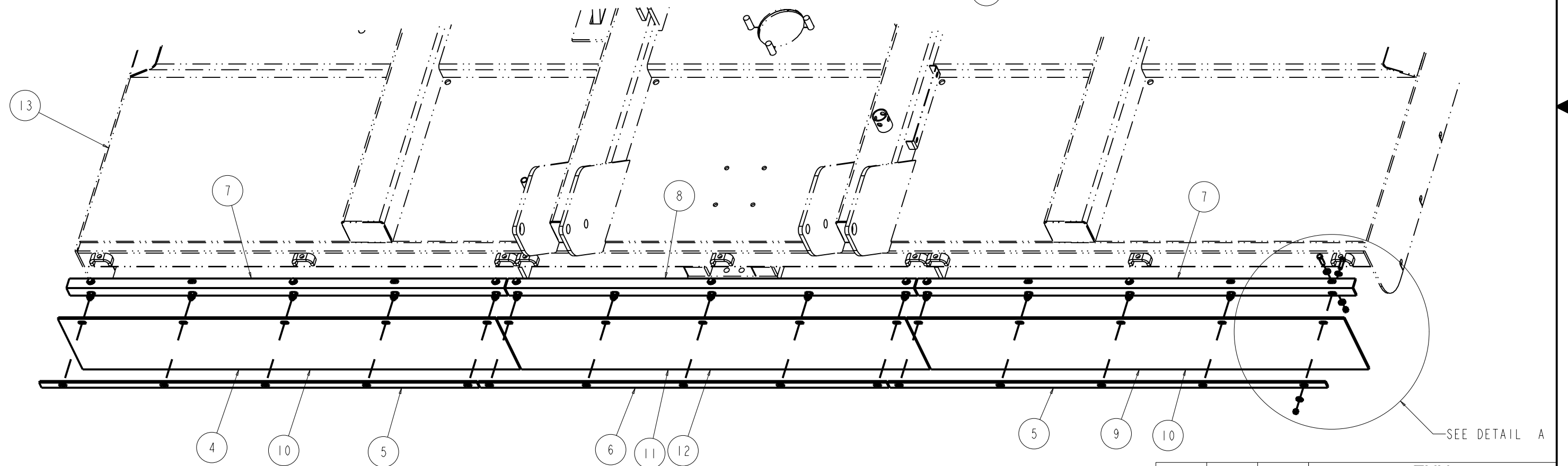
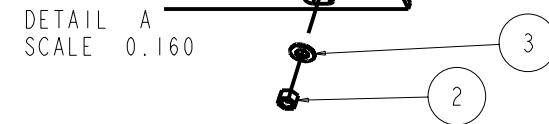
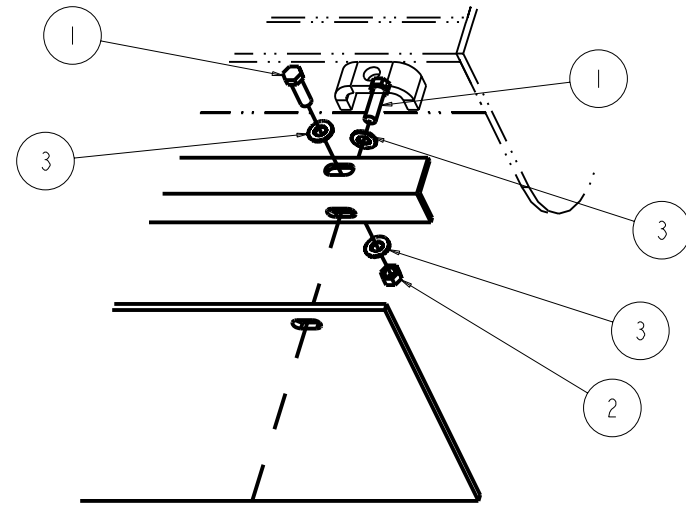
MODELED BY	J.O.C.	10/27/04	EVH MFG. CO. LORIS S.C.		
DRAWN BY	J.O.C.	10/27/04			
MATERIAL	R.M.N.	N/A	DESCRIPTION	SHEET 6 of 8	
Manufactured By: EVH Mfg. Co., LLC			DO NOT SCALE	A DWG. SIZE	DWG. NO. 25224

All Dimensions in Inches Unless Otherwise Specified
 Dimensions in [] are in Millimeters
 Tolerance Unless Otherwise Specified
 Fractional Dimensions ± 1/16" Angular Dimensions ± 1°
 Decimal Dim. to Limits Shown All Holes to be +0 -1/32"

Item	Part Number	Qty.	Description
1	10029	24	Hex Bolt 3/8"-16 x 1-1/4 gr.5 plated
2	10175	24	3/8"-16 Locknut (Gr.5 Plated)
3	10202	48	3/8" Flatwasher (Plated)
4	21088	1	Rubber Shielding Kit (Front Right)
5	21089	2	Flat For Belting Kit, Left or Right
6	21090	1	Flat For Belting Kit, Center
7	21091	2	Angle For Belting Kit, Left or Right
8	21092	1	Angle For Belting Kit, Left or Right
9	21093	1	Rubber Shielding Kit (Front Left)
10	21095	2	Rubber Shielding, Left & Right
11	21096	1	Rubber Shielding Kit, 20168 Center
12	21097	1	Rubber Shielding, Left & Right
13	25225	1	Deck Weldment for 20168

Rubber Shielding

DWG. NO.	25224			REV.	A
REV	CHANGE	BY	DATE	ECN	
IR	INITIAL RELEASE	J.O.C.	10/27/04	- - -	
A	5 LUG HUBS WERE 6 LUGS HUBS	C.K.N.	9/27/11	1460	

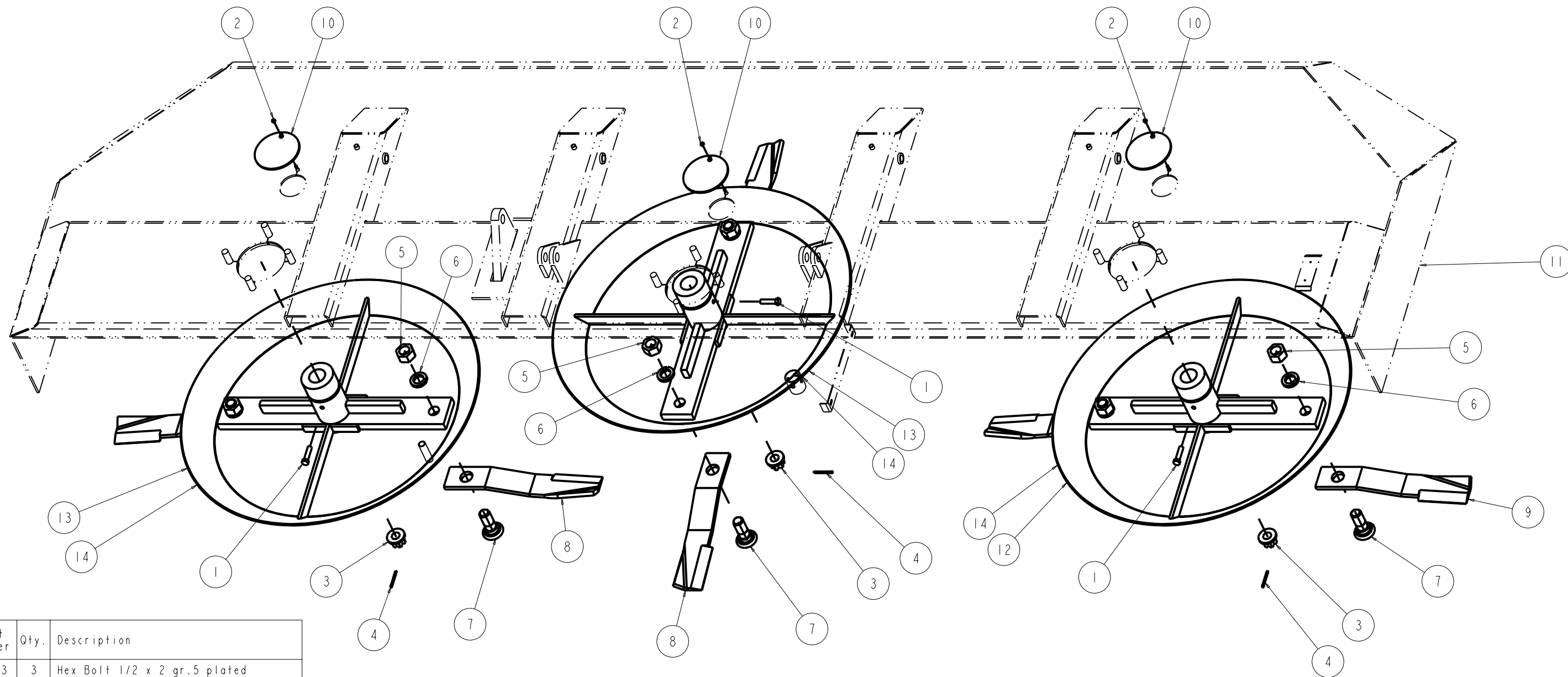


All Dimensions in Inches Unless Otherwise Specified
 Dimensions in [] are in Millimeters
 Tolerance Unless Otherwise Specified
 Fractional Dimensions ± 1/16" Angular Dimensions ± 1°
 Decimal Dim. to Limits Shown All Holes to be +0 -1/32"

MODELED BY	J.O.C.	10/27/04	EVH MFG. CO. LORIS S.C.	
DRAWN BY	J.O.C.	10/27/04		
MATERIAL	R.M.N. N/A		DESCRIPTION	SHEET 7 of 8
Manufactured By: EVH Mfg. Co., LLC			20168W Complete	
DO NOT SCALE	B DWG SIZE	DWG. NO.	25224	

Blades

DWG. NO.	25224		REV.	A
REV	CHANGE	BY	DATE	ECN
IR	INITIAL RELEASE	J.o.c.	10/27/04	- - -
A	5 LUG HUBS WERE 6 LUG HUBS	C.K.N.	9/27/11	1460



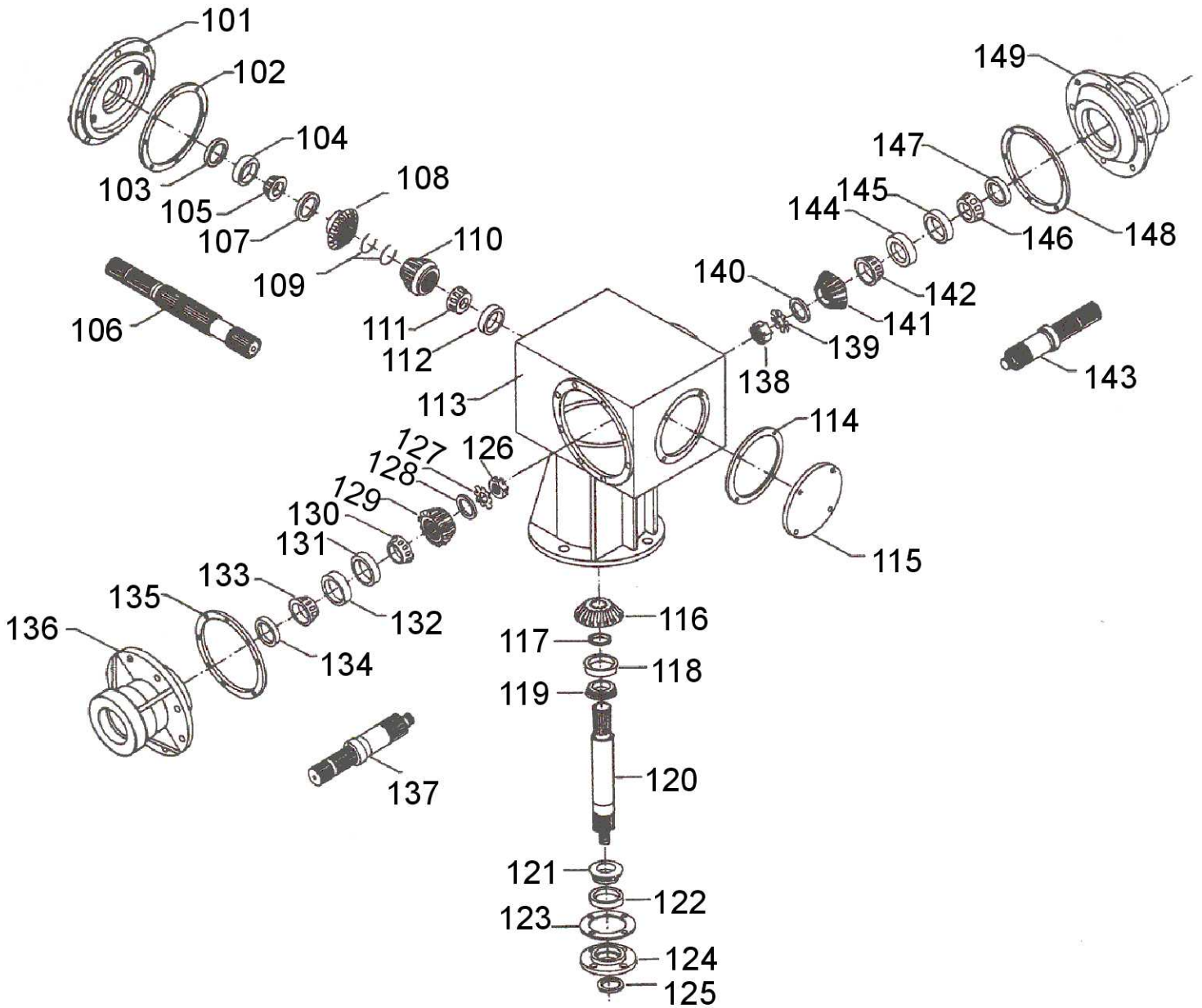
Item	Part Number	Qty.	Description
1	10073	3	Hex Bolt 1/2 x 2 gr.5 plated
2	10154	3	Lock Nut 5/16"-18 Plated
3	10173	3	1" Castle Flange Nut
4	10247	3	Cotter Pin 3/16" X 1 1/4" Plated
5	10311	6	Blade Bolt Nut
6	10312	6	Blade Bolt Lockwasher
7	10313	6	1 1/4" Blade Bolt
8	10413	4	Uplift Blade (CCW)
9	10414	2	Uplift Blade (CW)
10	20031	3	Access Cover
11	25225	1	Deck Weldment for 20168
12	25290	1	Blade Holder W/Blades, CW, 20168W
13	25291	2	Blade Holder W/Blades, CCW, 20168W
14	25292	3	Blade Holder Weldment, 20168W

All Dimensions in Inches Unless Otherwise Specified
 Dimensions in [] are in Millimeters
 Tolerance Unless Otherwise Specified
 Fractional Dimensions $\pm 1/16"$ Angular Dimensions $\pm 1^\circ$
 Decimal Dim. to Limits Shown All Holes to be $+0 -1/32"$

MODELED BY	J.O.C.	10/27/04	EVH MFG. CO. LORIS S.C.	
DRAWN BY	J.O.C.	10/27/04		
MATERIAL	R.M.N. N/A		DESCRIPTION	SHEET 8 of 8
Manufactured By: EVH Mfg. Co., LLC			20168W Complete	
DO NOT SCALE	B DWG SIZE	DWG. NO.	25224	

10443 Gearbox

(125H.P. Gearbox 1: 1.47 Ratio 540 RPM)



(See page 2 for part numbers & descriptions)

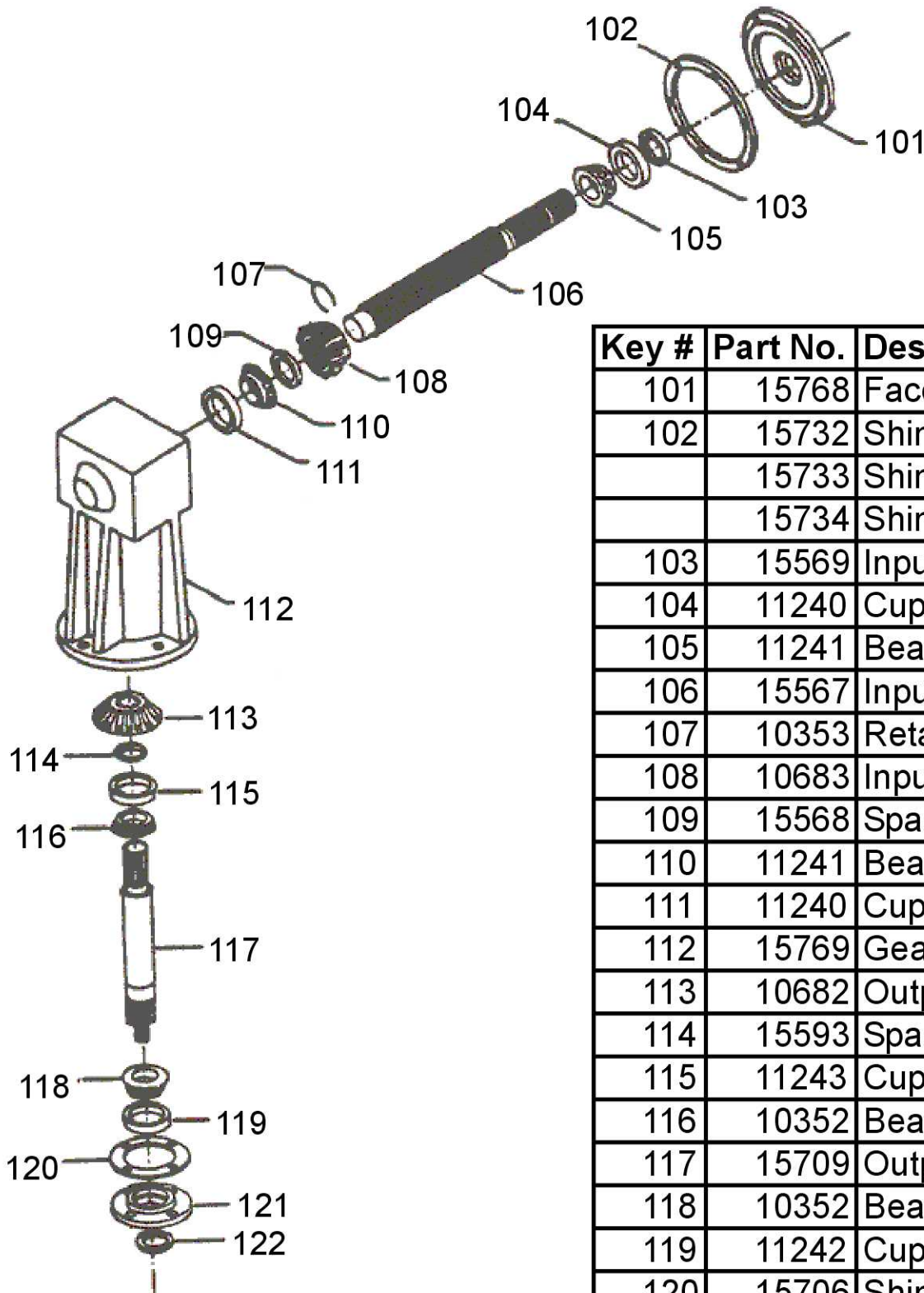
10443 Gearbox

(Parts & Descriptions)

Key #	Part No.	Description	Key #	Part No.	Description
101	15651	Face plate	125	10354	Output seal
102	15732	Shim	126	11762	Slotted nut
	15733	Shim	127	11761	Spider washer
	15734	Shim	128	15598	Spacer
103	15569	Input seal	129	10684	Output gear
104	11240	Cup	130	10352	Bearing
105	11241	Bearing	131	11243	Cup
106	15557	Input shaft	132	11243	Cup
107	15568	Spacer	133	10352	Bearing
108	10683	Input gear	134	15594	Output seal
109	10353	Retaining ring	135	15732	Shim
110	10684	Output gear		15733	Shim
111	10352	Bearing		15734	Shim
112	11242	Cup	136	15595	Side cover plate
113	15771	Gearbox housing	137	15556	Output shaft
114	15590	Shim	138	11762	Slotted nut
	15591	Shim	139	11761	Spider washer
	15592	Shim	140	15598	Spacer
115	15772	Back cover plate	141	10684	Output gear
116	10682	Output gear	142	10352	Bearing
117	15593	Spacer	143	15556	Output shaft
118	11243	Cup	144	11243	Cup
119	10352	Bearing	145	11243	Cup
120	15709	Output shaft	146	10352	Bearing
121	10352	Bearing	147	15594	Output seal
122	11242	Cup	148	15732	Shim
123	15706	Shim		15733	Shim
124	15705	Bottom cover plate		15734	Shim
			149	15595	Side cover plate

10428 Gearbox

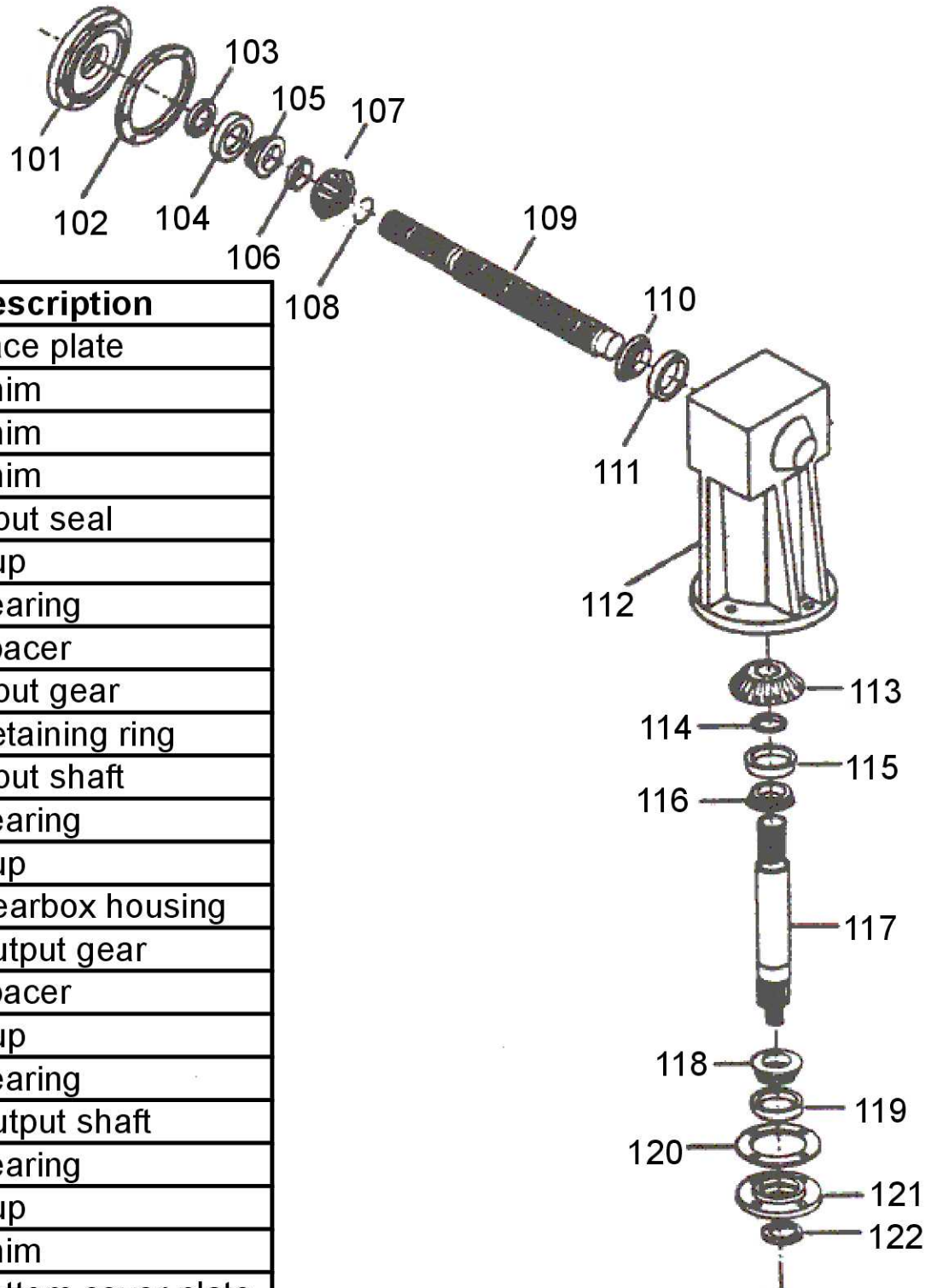
(125H.P. Gearbox 1: 1.47 Ratio 540 RPM)



Key #	Part No.	Description
101	15768	Face plate
102	15732	Shim
	15733	Shim
	15734	Shim
103	15569	Input seal
104	11240	Cup
105	11241	Bearing
106	15567	Input shaft
107	10353	Retaining ring
108	10683	Input gear
109	15568	Spacer
110	11241	Bearing
111	11240	Cup
112	15769	Gearbox housing
113	10682	Output gear
114	15593	Spacer
115	11243	Cup
116	10352	Bearing
117	15709	Output shaft
118	10352	Bearing
119	11242	Cup
120	15706	Shim
121	15705	Bottom cover plate
122	10354	Output seal

10429 Gearbox

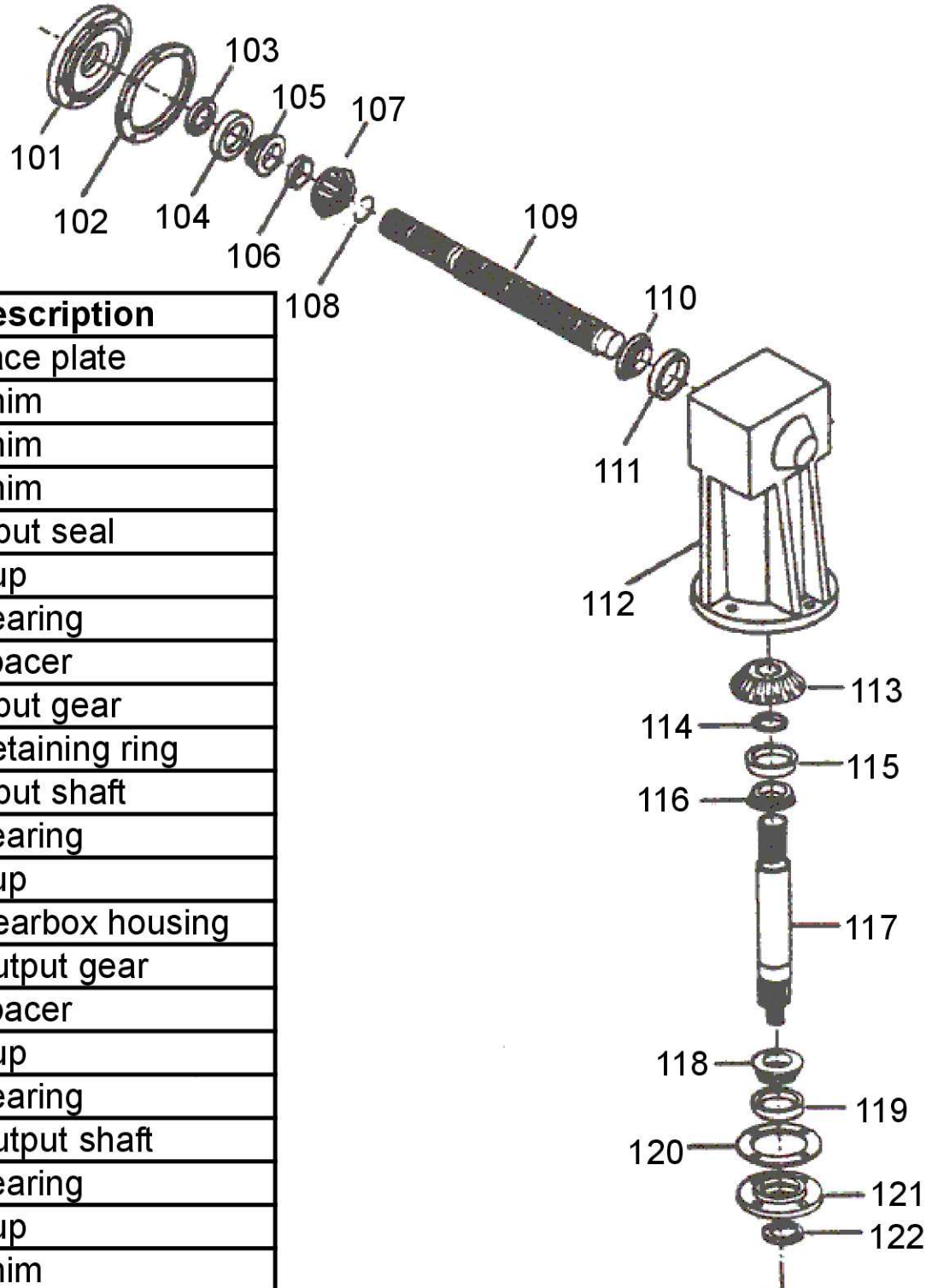
(125H.P. Gearbox 1: 1.47 Ratio 540 RPM)



Key #	Part No.	Description
101	15768	Face plate
102	15732	Shim
	15733	Shim
	15734	Shim
103	15569	Input seal
104	11240	Cup
105	11241	Bearing
106	15568	Spacer
107	10683	Input gear
108	10353	Retaining ring
109	15567	Input shaft
110	11241	Bearing
111	11240	Cup
112	15769	Gearbox housing
113	10682	Output gear
114	15593	Spacer
115	11243	Cup
116	10352	Bearing
117	15709	Output shaft
118	10352	Bearing
119	11242	Cup
120	15706	Shim
121	15705	Bottom cover plate
122	10354	Output seal

10594 Gearbox

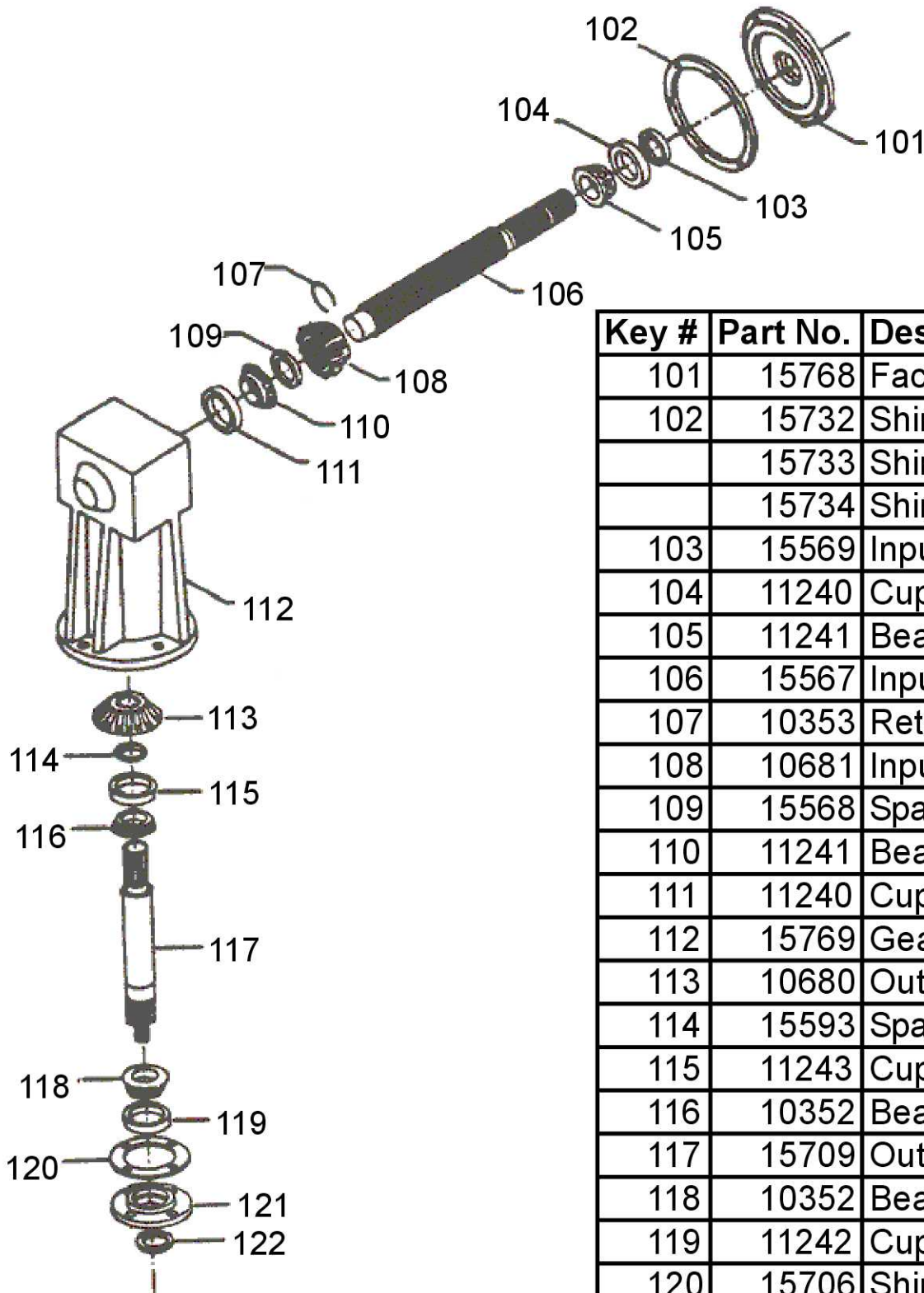
(125H.P. Gearbox 1: 1.21 Ratio 1000 RPM)



Key #	Part No.	Description
101	15768	Face plate
102	15732	Shim
	15733	Shim
	15734	Shim
103	15569	Input seal
104	11240	Cup
105	11241	Bearing
106	15568	Spacer
107	10681	Input gear
108	10353	Retaining ring
109	15567	Input shaft
110	11241	Bearing
111	11240	Cup
112	15769	Gearbox housing
113	10680	Output gear
114	15593	Spacer
115	11243	Cup
116	10352	Bearing
117	15709	Output shaft
118	10352	Bearing
119	11242	Cup
120	15706	Shim
121	15705	Bottom cover plate
122	10354	Output seal

10596 Gearbox

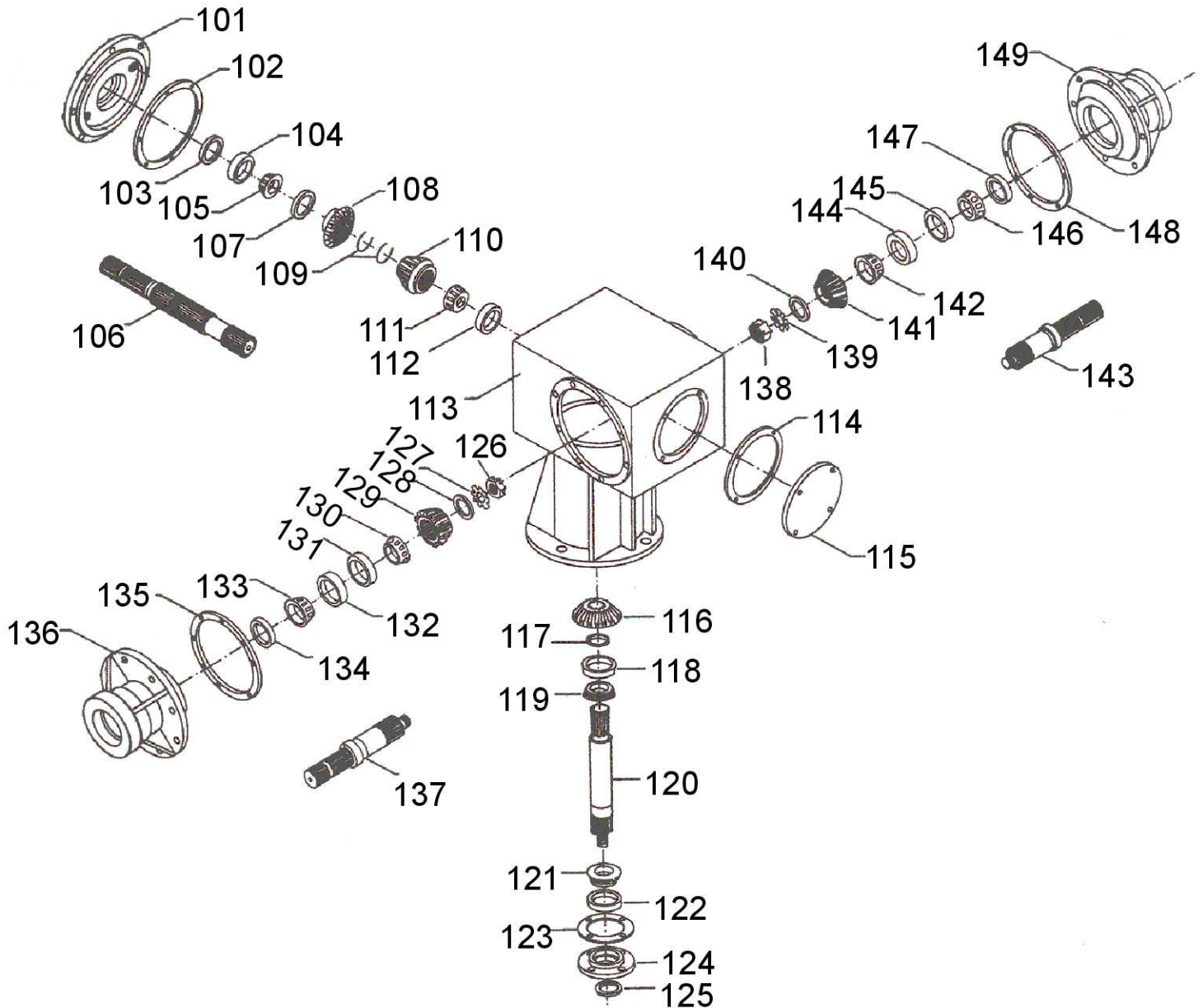
(125H.P. Gearbox 1: 1.21 Ratio 1000 RPM)



Key #	Part No.	Description
101	15768	Face plate
102	15732	Shim
	15733	Shim
	15734	Shim
103	15569	Input seal
104	11240	Cup
105	11241	Bearing
106	15567	Input shaft
107	10353	Retaining ring
108	10681	Input gear
109	15568	Spacer
110	11241	Bearing
111	11240	Cup
112	15769	Gearbox housing
113	10680	Output gear
114	15593	Spacer
115	11243	Cup
116	10352	Bearing
117	15709	Output shaft
118	10352	Bearing
119	11242	Cup
120	15706	Shim
121	15705	Bottom cover plate
122	10354	Output seal

10597 Gearbox

(125H.P. Gearbox 1: 1.21 Ratio 1000 RPM)



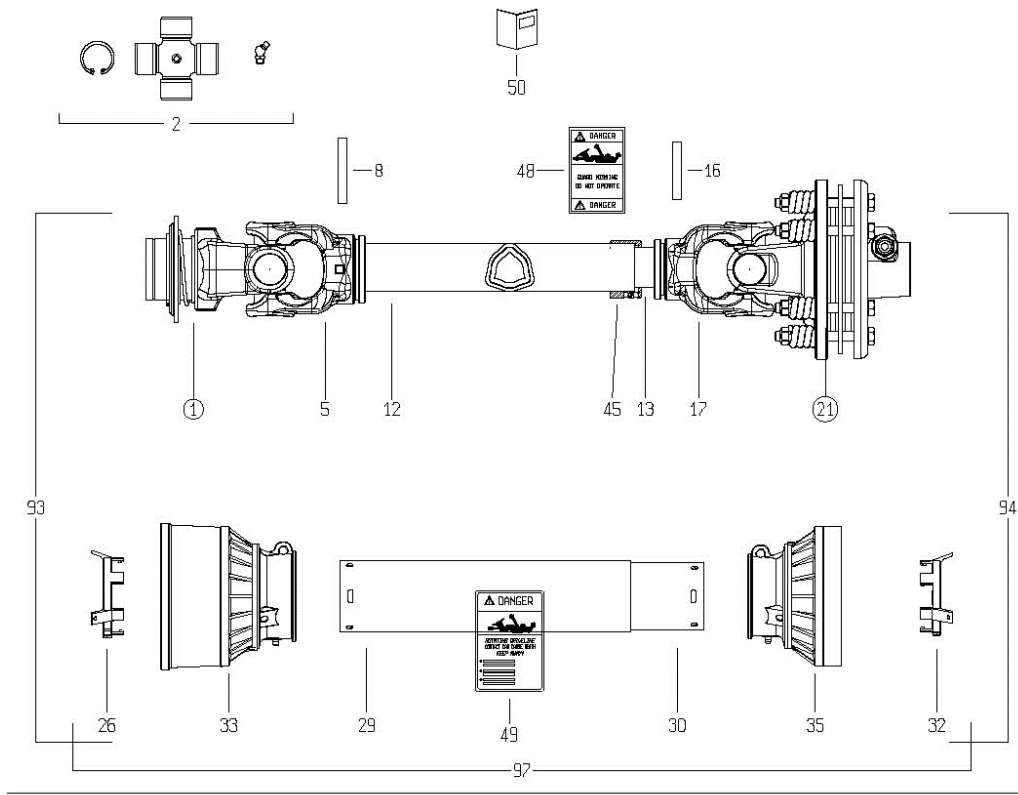
(See page 2 for part numbers & descriptions)

10597 Gearbox

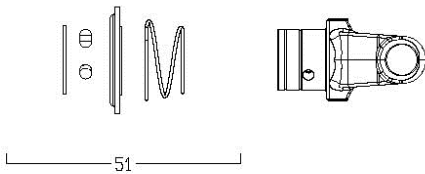
(Parts & Descriptions)

Key #	Part No.	Description	Key #	Part No.	Description
101	15651	Face plate	125	10354	Output seal
102	15732	Shim	126	11762	Slotted nut
	15733	Shim	127	11761	Spider washer
	15734	Shim	128	15598	Spacer
103	15569	Input seal	129	10684	Output gear
104	11240	Cup	130	10352	Bearing
105	11241	Bearing	131	11243	Cup
106	15557	Input shaft	132	11243	Cup
107	15568	Spacer	133	10352	Bearing
108	10681	Input gear	134	15594	Output seal
109	10353	Retaining ring	135	15732	Shim
110	10684	Output gear		15733	Shim
111	10352	Bearing		15734	Shim
112	11242	Cup	136	15595	Side cover plate
113	15771	Gearbox housing	137	15556	Output shaft
114	15590	Shim	138	11762	Slotted nut
	15591	Shim	139	11761	Spider washer
	15592	Shim	140	15598	Spacer
115	15772	Back cover plate	141	10684	Output gear
116	10680	Output gear	142	10352	Bearing
117	15593	Spacer	143	15556	Output shaft
118	11243	Cup	144	11243	Cup
119	10352	Bearing	145	11243	Cup
120	15709	Output shaft	146	10352	Bearing
121	10352	Bearing	147	15594	Output seal
122	11242	Cup	148	15732	Shim
123	15706	Shim		15733	Shim
124	15705	Bottom cover plate		15734	Shim
			149	15595	Side cover plate

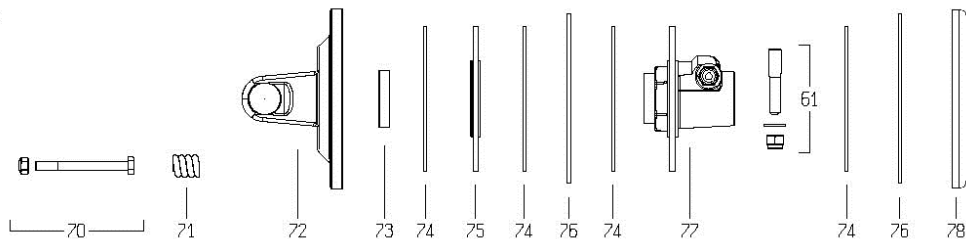
DRIVESHAFT 10444



①

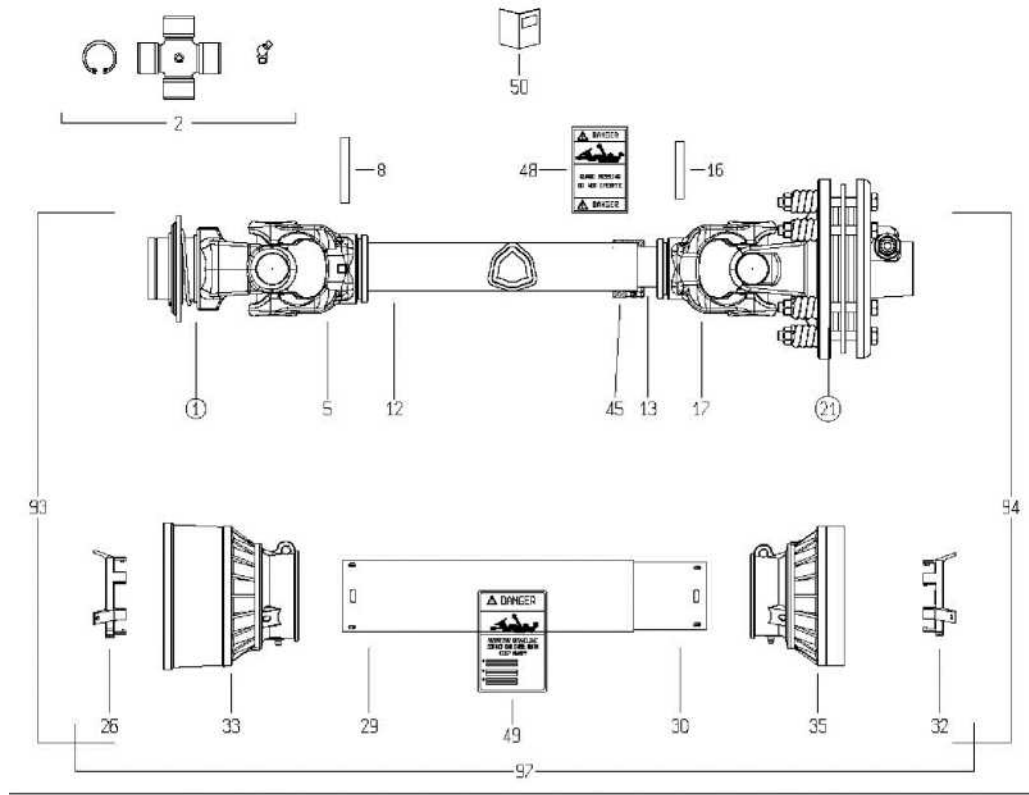


②①

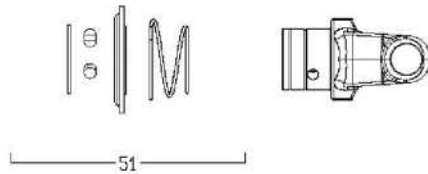


Key #	Part #	Description	Key #	Part #	Description
1	15571	Yoke – 1-3/8” Z6	70	15584	Cross Journal Assem.
2	15572	Cross Kit-Zerk in Body	71	15561	Coil Spring-Clutch
5	15573	Yoke-Outer Tube	72	16703	Flanged Yoke
8	98756	Flexible Roll Pin-Outer	73	15562	Bushing-Clutch
16	98160	Flexible Roll Pin-Inner	74	11204	Lining
17	15577	Yoke-Inner Tube	75	15581	Lining Support
21	16701	Clutch – 1-3/4” Z20	76	16704	Inner Plate
26	98142	Shield Support-Outer	77	98169	Flange Hub
32	98143	Shield Support-Inner	78	15799	Clutch Pressure Plate
51	16702	Ball Collar Kit	97	15812	Complete Shield Kit
61	15583	Pin			

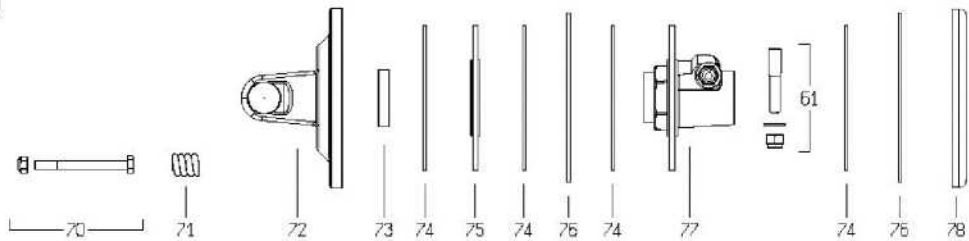
DRIVESHAFT 21223



①

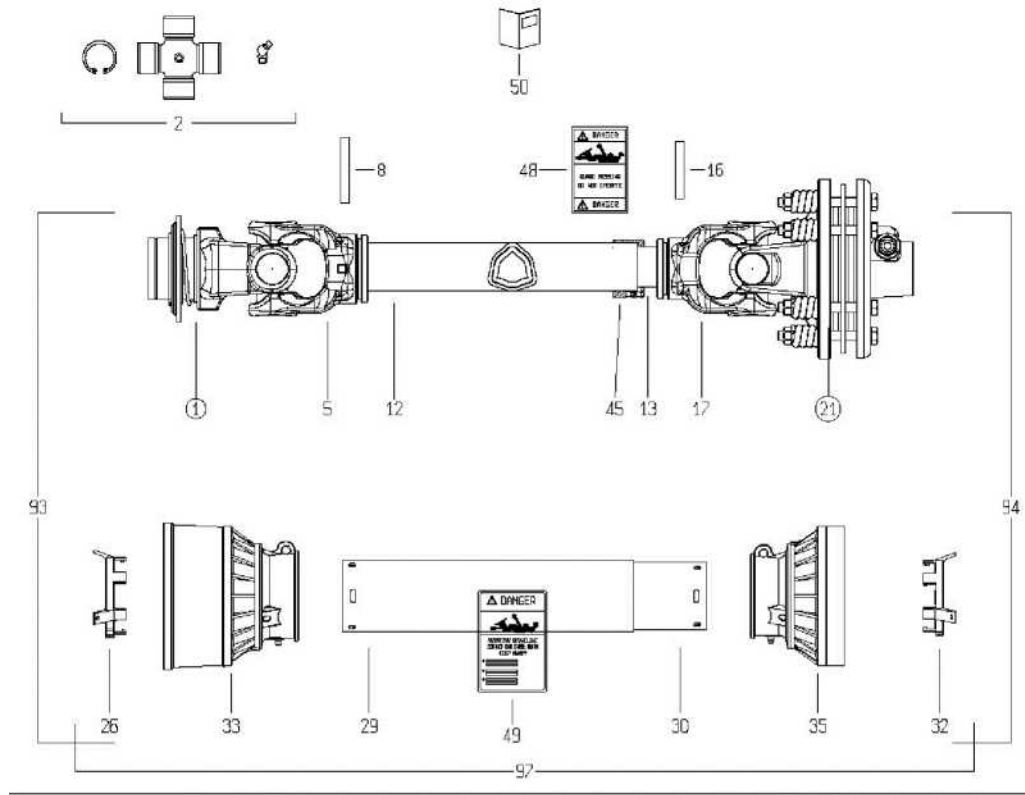


②①

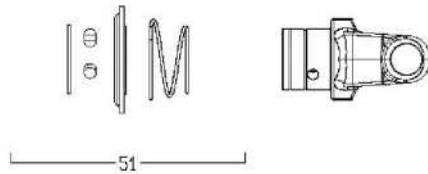


Key #	Part #	Description	Key #	Part #	Description
1	10703	Yoke - 1-3/8" Z21	70	15584	Cross Journal Assem.
2	15572	Cross Kit-Zerk in Body	71	15561	Coil Spring-Clutch
5	15573	Yoke-Outer Tube	72	16703	Flanged Yoke
8	98756	Flexible Roll Pin-Outer	73	15562	Bushing-Clutch
16	98160	Flexible Roll Pin-Inner	74	11204	Lining
17	15577	Yoke-Inner Tube	75	15581	Lining Support
21	16701	Clutch - 1-3/4" Z20	76	16704	Inner Plate
26	98142	Shield Support-Outer	77	98169	Flange Hub
32	98143	Shield Support-Inner	78	15799	Clutch Pressure Plate
51	16702	Ball Collar Kit	97	15812	Complete Shield Kit
61	15583	Pin			

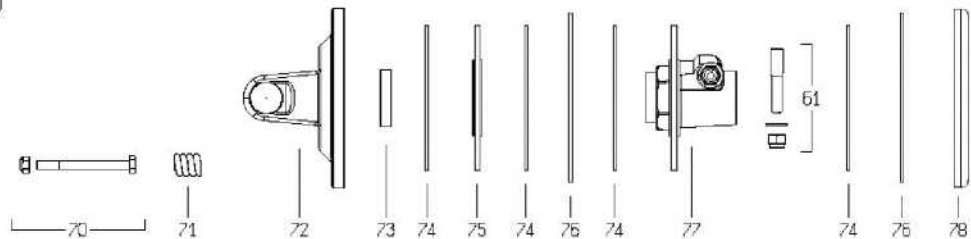
DRIVESHAFT 21242



①



②①



Key #	Part #	Description	Key #	Part #	Description
1	10704	Yoke - 1-3/4" Z 20	70	15584	Cross Journal Assem.
2	15572	Cross Kit-Zerk in Body	71	15561	Coil Spring-Clutch
5	15573	Yoke-Outer Tube	72	16703	Flanged Yoke
8	98756	Flexible Roll Pin-Outer	73	15562	Bushing-Clutch
16	98160	Flexible Roll Pin-Inner	74	11204	Lining
17	15577	Yoke-Inner Tube	75	15581	Lining Support
21	16701	Clutch - 1-3/4" Z20	76	16704	Inner Plate
26	98142	Shield Support-Outer	77	98169	Flange Hub
32	98143	Shield Support-Inner	78	15799	Clutch Pressure Plate
51	16702	Ball Collar Kit	97	15812	Complete Shield Kit
61	15583	Pin			