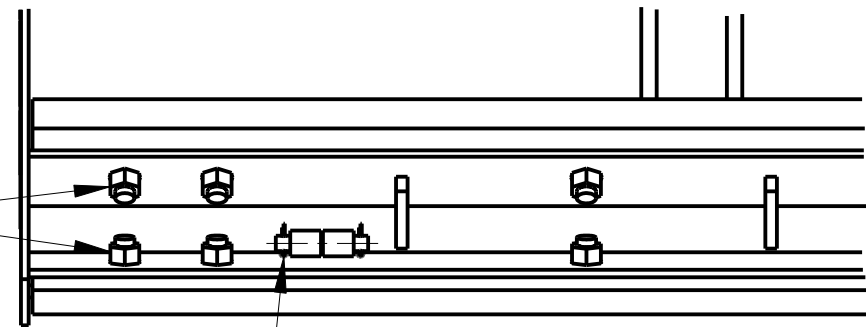
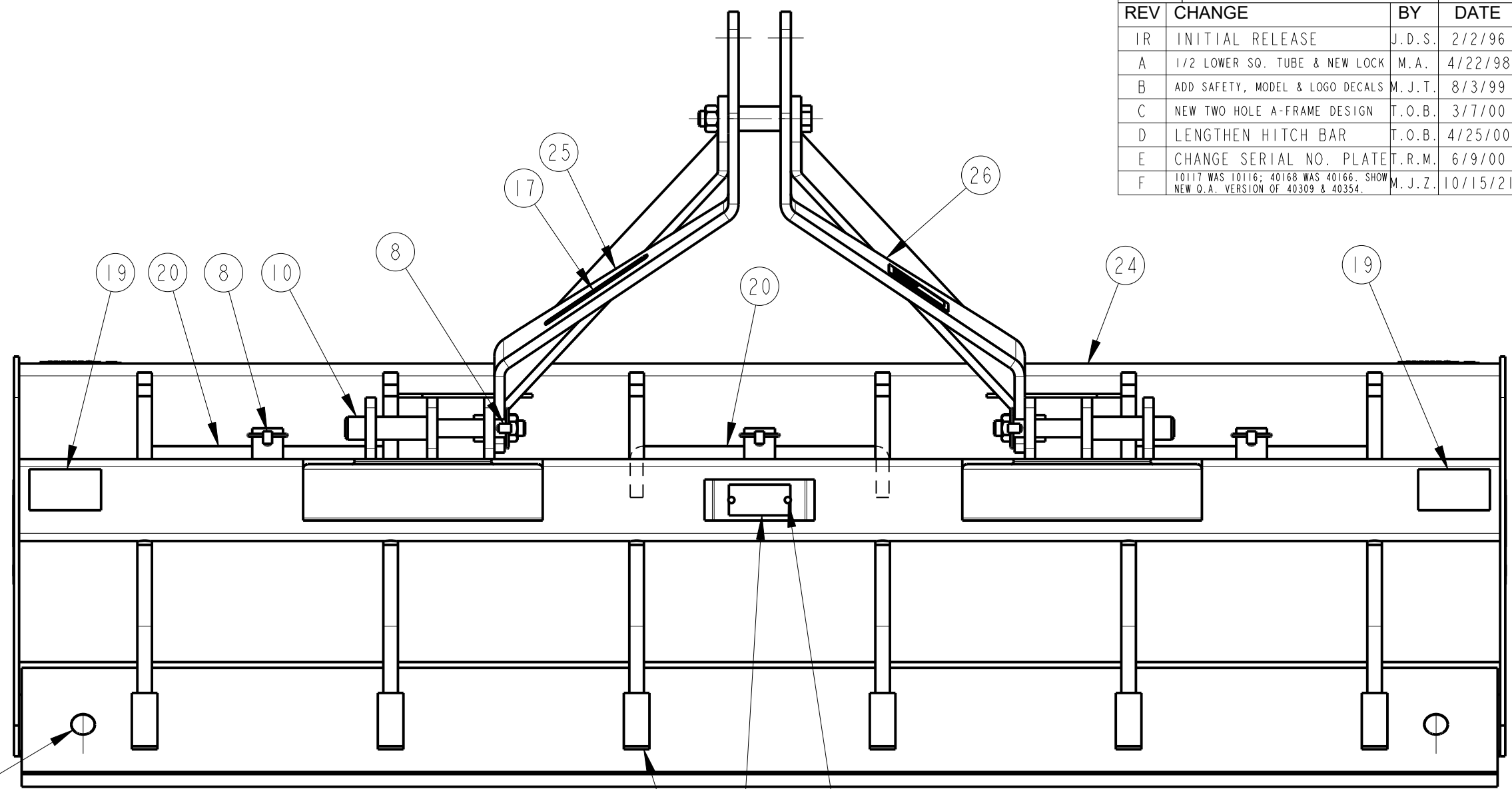


Item	Part Number	Qty.	Description
1	10111	6	HEX BOLT, 3/4"-10 X 2" Gr.5 PLATED
2	10117	1	HEX BOLT 3/4" X 5" Gr.5 PLATED
3	10166	16	LOCKNUT, 5/8"-11 PLATED
4	10168	7	LOCKNUT, 3/4"-10 Gr.5 PLATED
5	10232	4	COTTER PIN, 3/32" X 3/4"
6	10262	16	PLOW BOLT, 5/8" X 1-1/2 Gr.5 PLATED
7	10339	2	POP RIVET
8	10346	5	3 Pt. Snap Pin (Lynch Pin)
9	10432	2	72" CUTTING EDGE
10	10464	2	CATEGORY I & II HITCH PIN
11	10485	6	SCARIFIER
12	11010	1	LARGE HARDEE LOGO DECAL
13	11129	1	ASH-72 DECAL
14	11131	2	DECAL, HARDEE BY EVH MFG (5 X 16)
15	11636	1	DECAL, Landscape & Disc Harrow Kit
16	11727	1	SERIAL NUMBER PLATE
17	11850	1	DECAL, WEB SITE
18	15852	2	RED REFLECTOR DECAL
19	15853	2	YELLOW REFLECTOR DECAL
20	40163	3	SCARIFIER LOCK
21	40167	2	A-FRAME BRACE, ASH QUICK HITCH
22	40168	1	BUSHING, ASH QUICK HITCH
23	40207	2	LOCKING PIN
24	40252	1	FRAME WELDMENT, ASH 72
25	40309	1	ASH RIGHT A-FRAME - QUICK HITCH
26	40354	1	ASH LEFT A-FRAME - QUICK HITCH

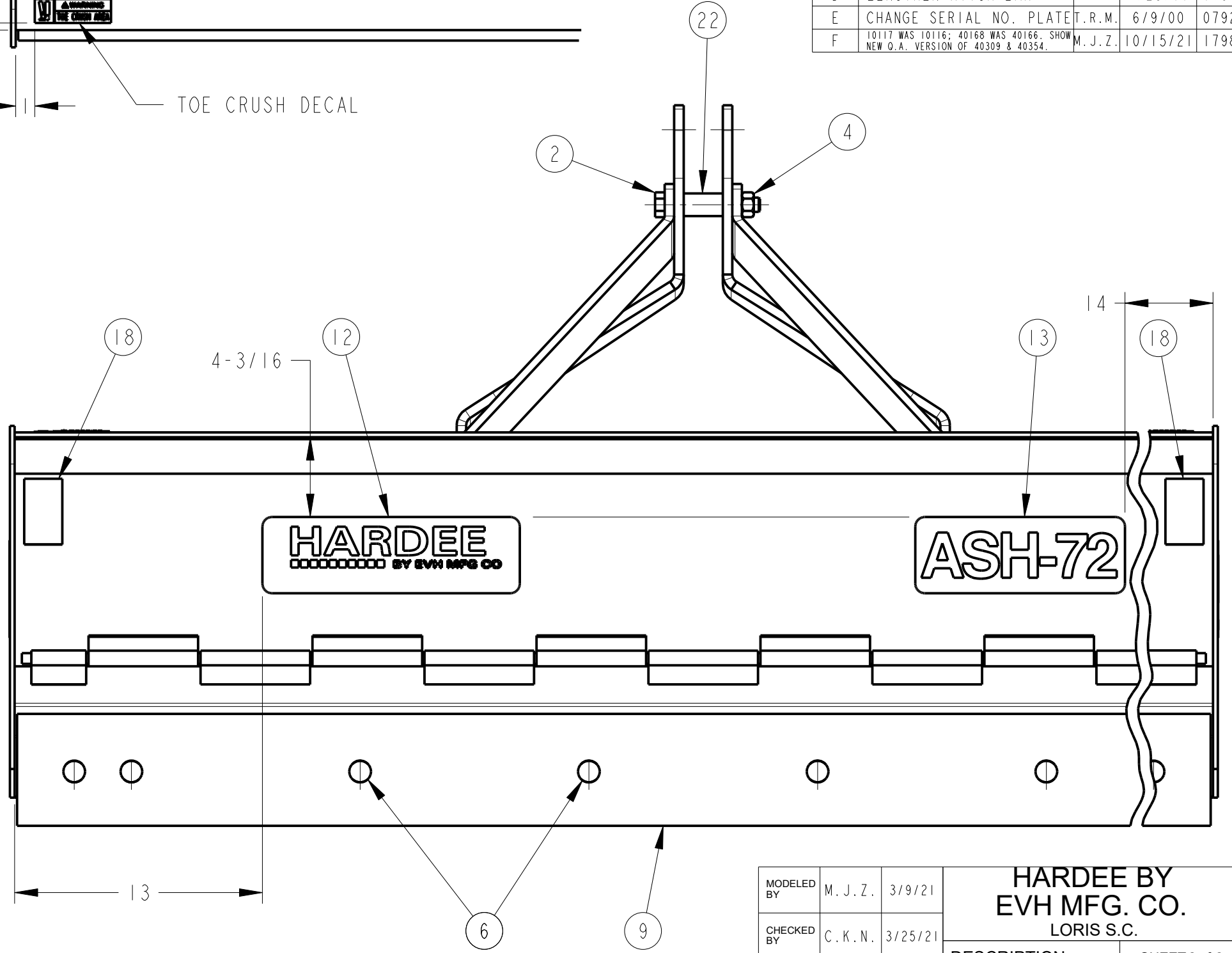
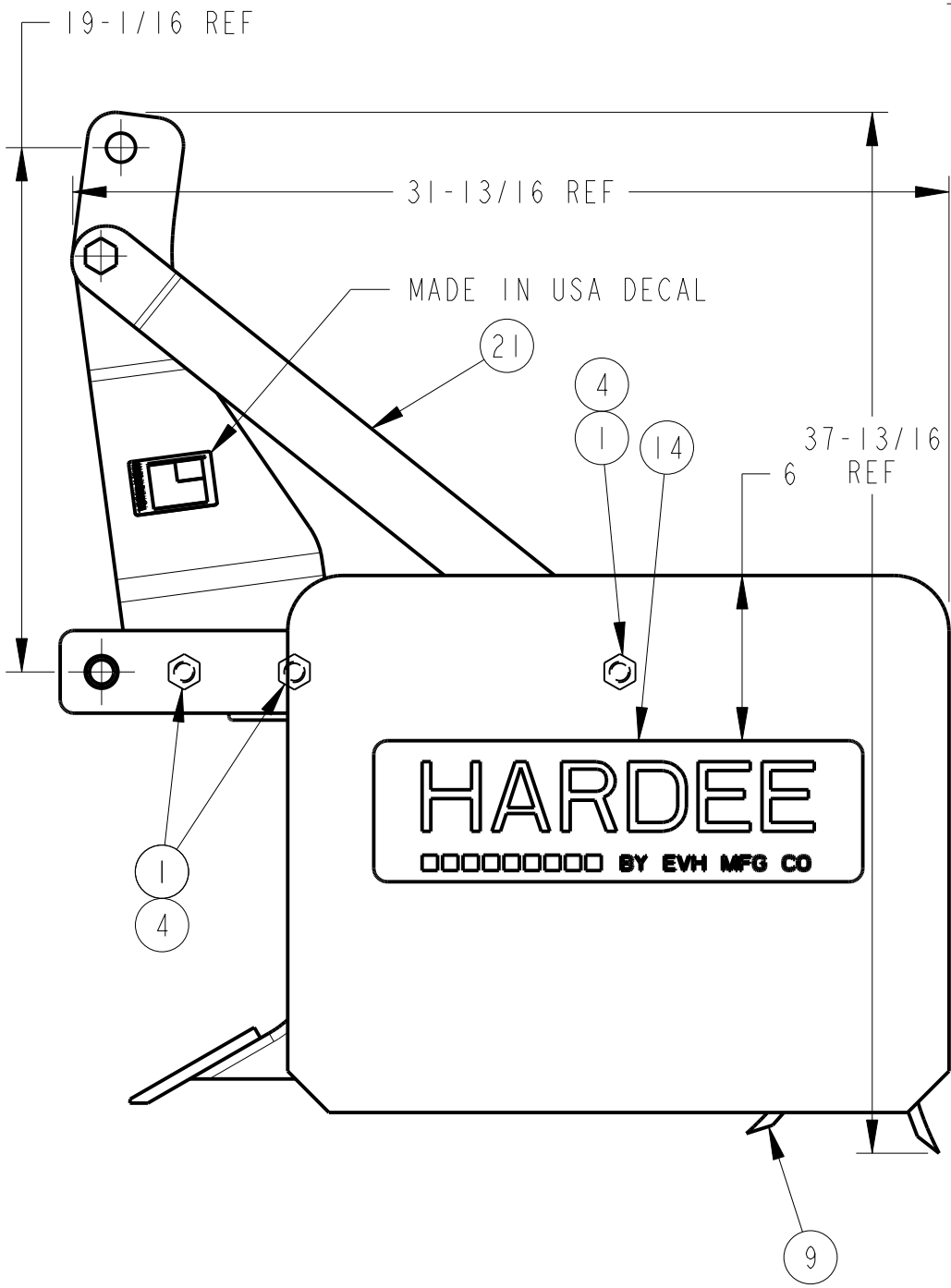
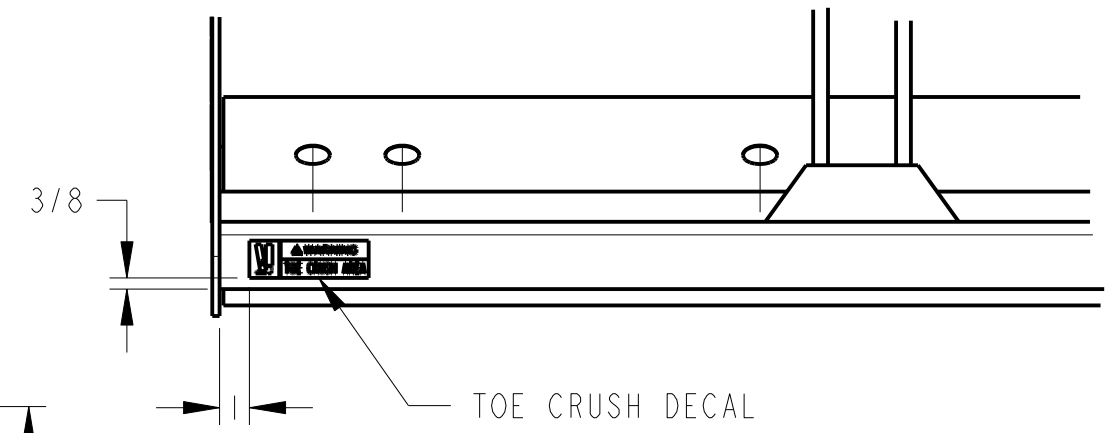
DWG. NO.	40146			REV.	F
REV	CHANGE	BY	DATE	ECN	
IR	INITIAL RELEASE	J.D.S.	2/2/96	---	
A	1/2 LOWER SO. TUBE & NEW LOCK	M.A.	4/22/98	0542	
B	ADD SAFETY, MODEL & LOGO DECALS	M.J.T.	8/3/99	0654	
C	NEW TWO HOLE A-FRAME DESIGN	T.O.B.	3/7/00	0754	
D	LENGTHEN HITCH BAR	T.O.B.	4/25/00	0789	
E	CHANGE SERIAL NO. PLATE	T.R.M.	6/9/00	0792	
F	10117 WAS 10116; 40168 WAS 40166. SHOW NEW Q.A. VERSION OF 40309 & 40354.	M.J.Z.	10/15/21	1798	



All Dimensions in Inches Unless Otherwise Specified
 Dimensions in [] are in Millimeters
 Tolerance Unless Otherwise Specified
 Fractional Dimensions: 1/16" Angular Dimensions: 1°
 Decimal Dim. to Limits Shown All Holes to be +0 -1/32"

MODELED BY	M. J. Z.	3/9/21	HARDEE BY EVH MFG. CO. LORIS S.C.	
CHECKED BY	C. K. N.	3/25/21		
MATERIAL	R.M.N. N/A		DESCRIPTION	SHEET 1 of 2
Manufactured By: EVH Mfg. Co., LLC			DO NOT SCALE	DWG. NO. 40146

DWG. NO.	40146		REV.	F	
REV	CHANGE	BY	DATE	ECN	
IR	INITIAL RELEASE	J.D.S.	2/2/96	---	
A	1/2 LOWER SQ. TUBE & NEW LOCK	M.A.	4/22/98	0542	
B	ADD SAFETY, MODEL & LOGO DECALS	M.J.Z.	8/3/99	0654	
C	NEW TWO HOLE A-FRAME DESIGN	T.O.B.	3/7/00	0754	
D	LENGTHEN HITCH BAR	T.O.B.	4/25/00	0789	
E	CHANGE SERIAL NO. PLATE	T.R.M.	6/9/00	0792	
F	10117 WAS 10116; 40168 WAS 40166. SHOW NEW O.A. VERSION OF 40309 & 40354.	M.J.Z.	10/15/21	1798	



All Dimensions in Inches Unless Otherwise Specified
 Dimensions in [] are in Millimeters
 Tolerance Unless Otherwise Specified
 Fractional Dimensions: 1/16"
 Decimal Dim. to Limits Shown

Angular Dimensions: 1°
 All Holes to be +0 -1/32"

MODELED BY	M. J. Z.	3/9/21	HARDEE BY EVH MFG. CO. LORIS S.C.	
CHECKED BY	C. K. N.	3/25/21		
MATERIAL	R.M.N.	N/A	DESCRIPTION	SHEET 2 of 2
Manufactured By: EVH Mfg. Co., LLC			ASH-72 REAR BOX BLADE	
DO NOT SCALE	B	DWG. NO.	40146	